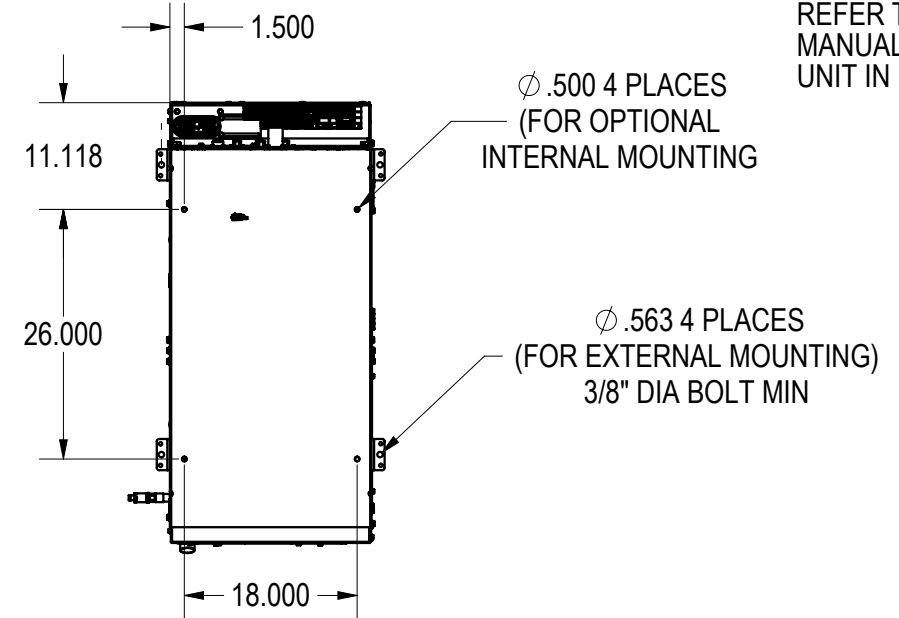
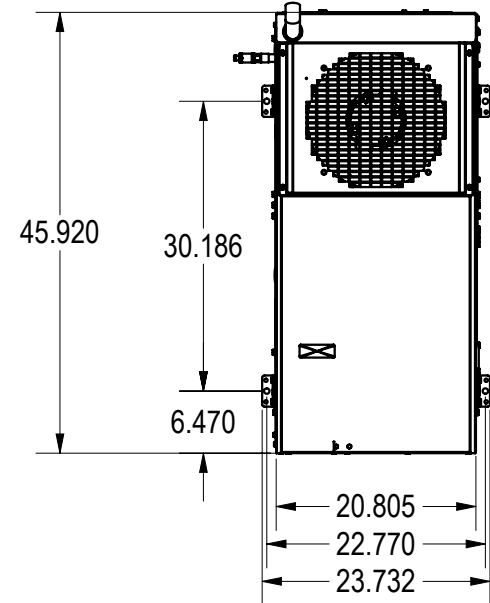
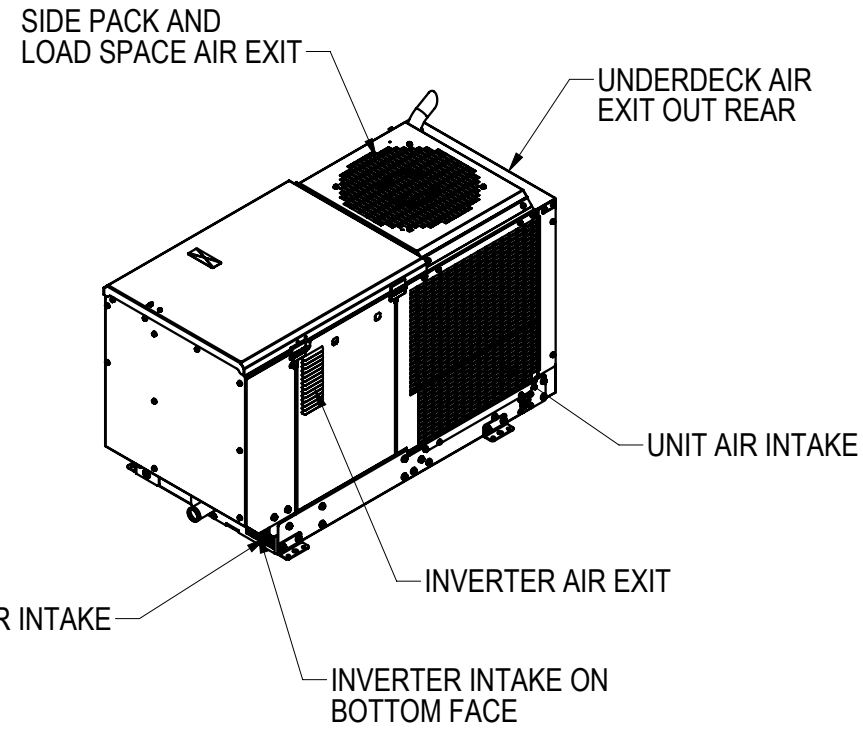


4

3

2

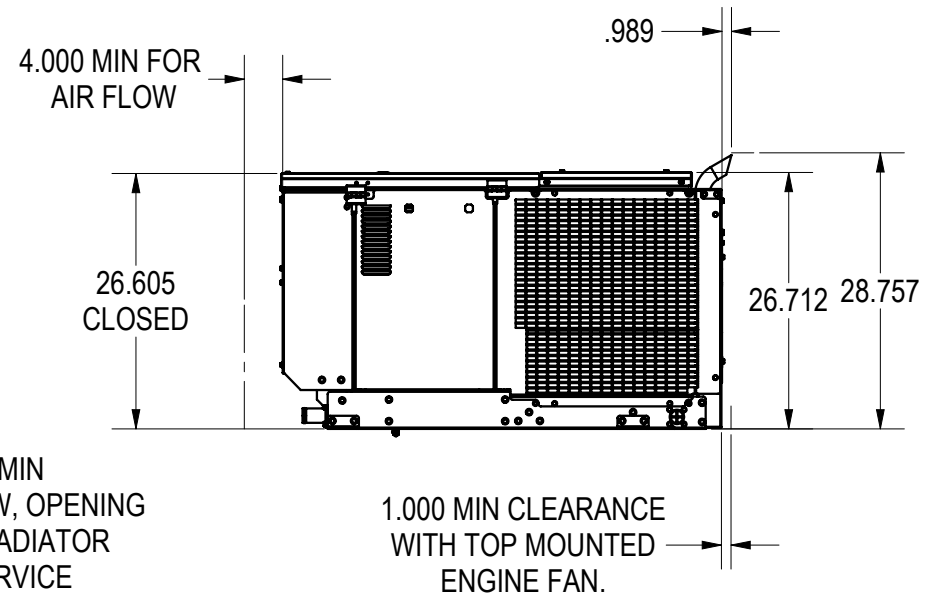
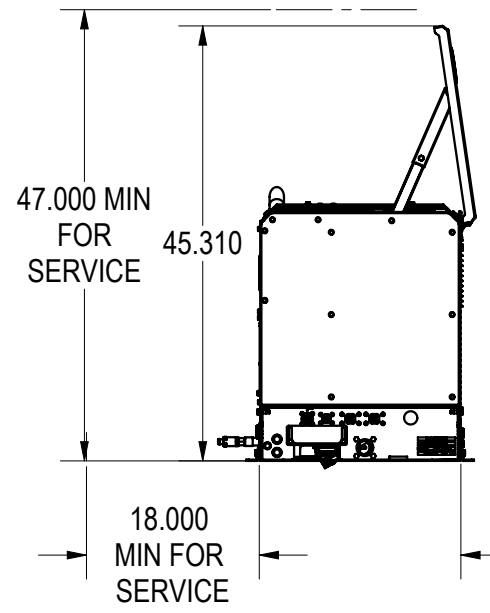
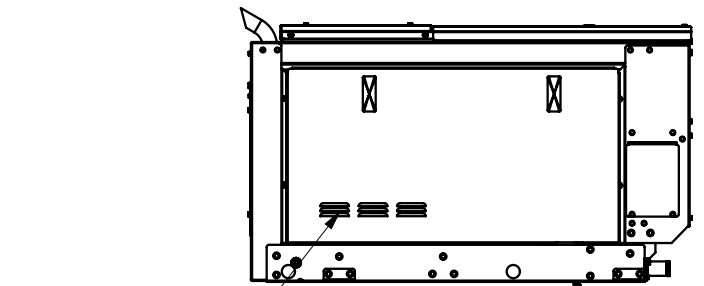
1



REFER TO OWNERS MANUAL FOR BOLTING UNIT IN PLACE

B

B



A

A

NOTE:

- TOTAL AIR FLOW THRU ENGINE FAN - 2400CFM
- TOTAL AIR FLOW THRU INVERTER FANS - 360CFM

\*RoHS COMPLIANT\*

Rev	Date	By	ECO	Revision Description

Dimensions are in INCHES Unless Otherwise Specified

Decimal:  
0.X ±  
0.XX ±  
0.XXX ±

Fractional ±  
Angular ±

Machine Finish:

**Miller®**  
MILLER ELECTRIC MFG. LLC, APPLETON, WI. USA An ITW Welding Company

Title: ILLUS, MACHINE LAYOUT A60I

NOT TO SCALE    CONFIDENTIAL    SHEET: 1 of 1

© MILLER ELECTRIC MFG. LLC ("MILLER"). THIS DOCUMENT FILE AND THE INFORMATION CONTAINED THEREIN ("MATERIAL") IS MILLER PROPRIETARY AND CONFIDENTIAL INFORMATION AND SHALL NOT BE DUPLICATED OR DISTRIBUTED WITHOUT MILLER'S EXPRESS WRITTEN CONSENT. THIS MATERIAL SHALL BE USED SOLELY FOR THE PURPOSE SET FORTH BY MILLER AND SHALL BE RETURNED TO MILLER UPON REQUEST.

Orig. Dwn. By: KHH	Size: B	Drawing No: 289314	Rev: A
Date: 11/16/20			
Rev. Appvd. By: KHH			
Date: 04/23/21			

4

3

2

1