

4

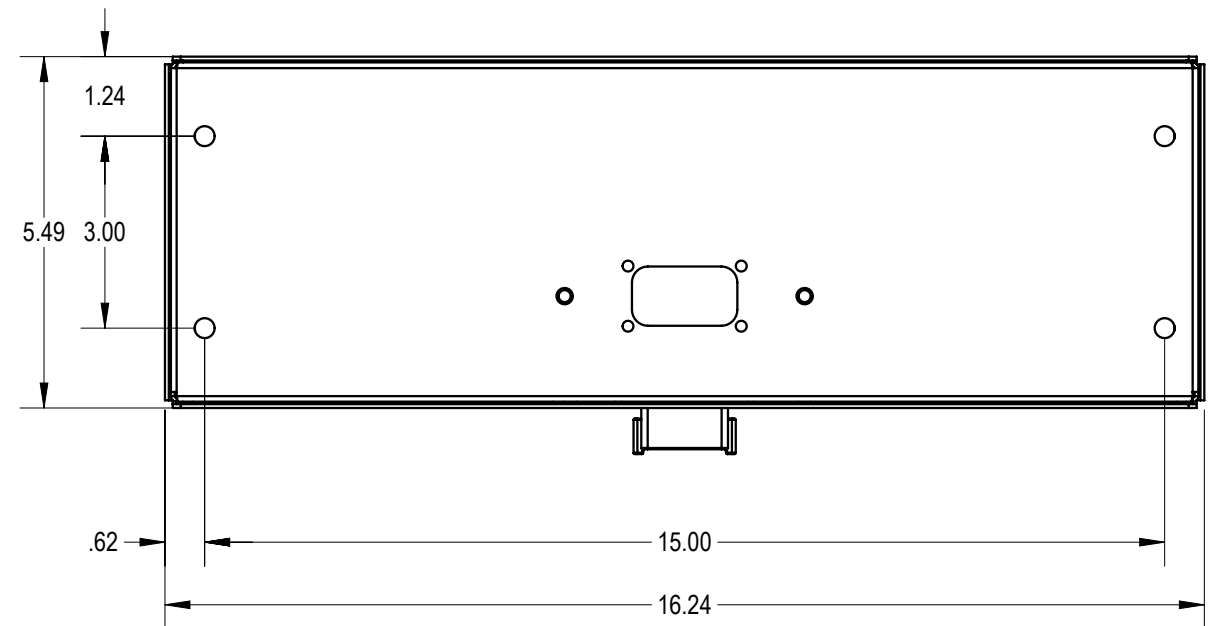
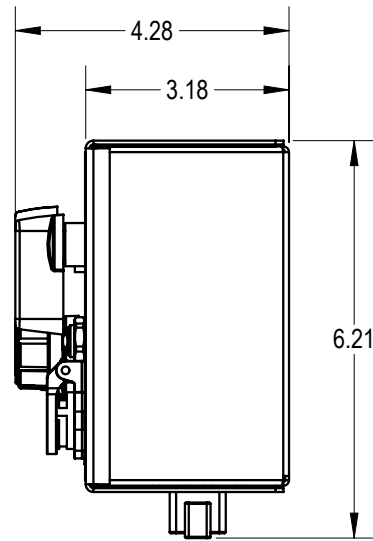
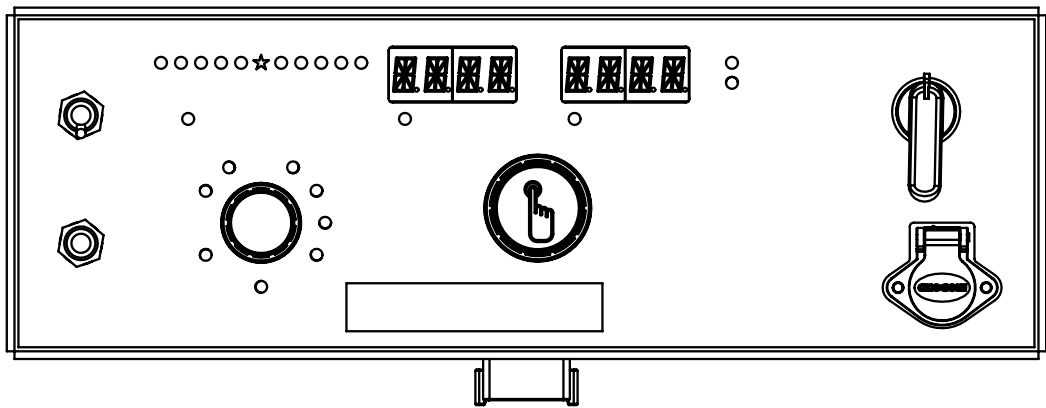
3

2

1

B

B



A

A

RoHS COMPLIANT

Rev	Date	By	ECO	Revision Description

Dimensions are in INCHES Unless Otherwise Specified

Decimal:
 0.X ±:
 0.XX ±:
 0.XXX ±:

Fractional ±:
 Angular ±:

Machine Finish:

Miller®
 MILLER ELECTRIC MFG. LLC, APPLETON, WI. USA An ITW Welding Company

Title: ENPAK A30 DIESEL REMOTE PANEL

NOT TO SCALE **CONFIDENTIAL** SHEET: **1 of 1**

© MILLER ELECTRIC MFG. LLC ("MILLER"). THIS DOCUMENT FILE AND THE INFORMATION CONTAINED THEREIN ("MATERIAL") IS MILLER PROPRIETARY AND CONFIDENTIAL INFORMATION AND SHALL NOT BE DUPLICATED OR DISTRIBUTED WITHOUT MILLER'S EXPRESS WRITTEN CONSENT. THIS MATERIAL SHALL BE USED SOLELY FOR THE PURPOSE SET FORTH BY MILLER AND SHALL BE RETURNED TO MILLER UPON REQUEST.

Orig. Dmn. By: CL	Date: 03/15/24	Size: B	Drawing No: 283595	Rev: A
Rev. Appvd. By: CL	Date: 03/20/24			

4

3

2

1