

4

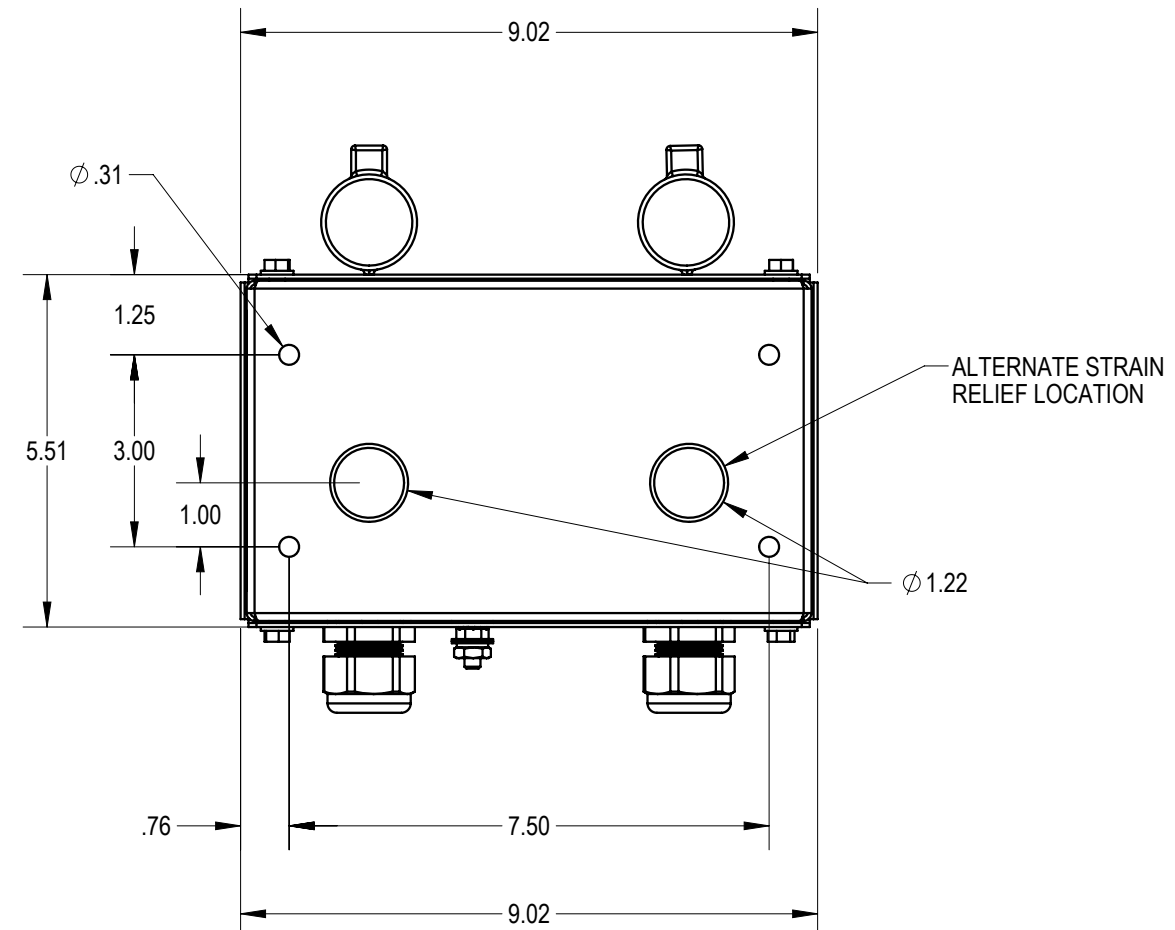
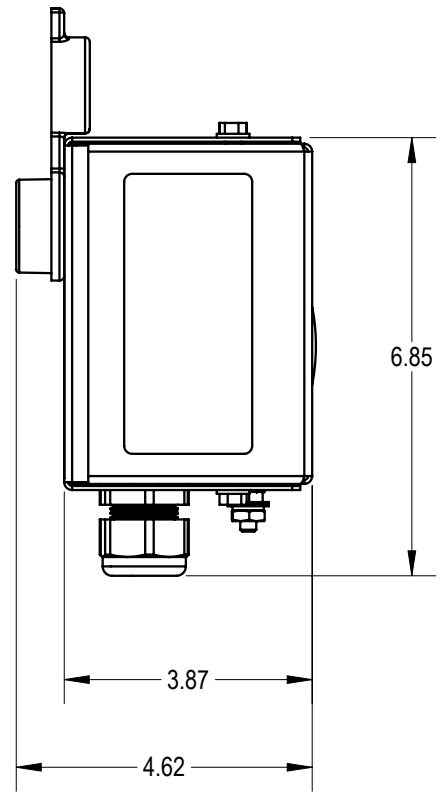
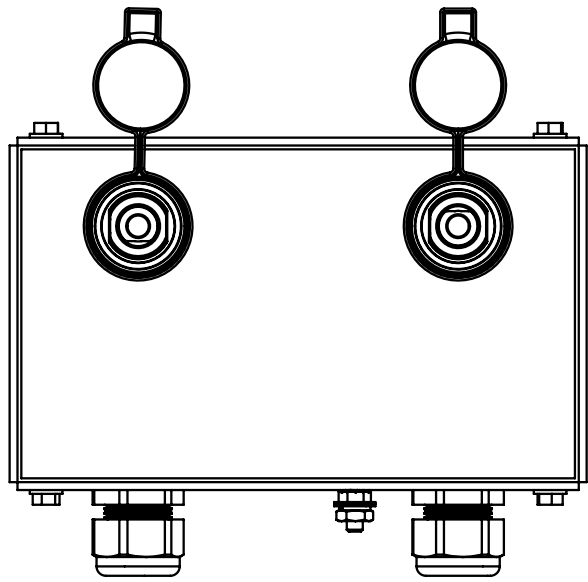
3

2

1

B

B



A

A

\*RoHS COMPLIANT\*

Rev	Date	By	ECO	Revision Description
B	05-05-21	CJL	33719	VENDOR REQUESTED CHANGE FOR ITEM 25
A	4/5/2021	XXX KHH	-----	INITIAL DRAWING RELEASE

Dimensions are in INCHES Unless Otherwise Specified

Decimal:  
0.X ±:  
0.XX ±:  
0.XXX ±:

Fractional ±:  
Angular ±:

Machine Finish:

**Miller®**  
MILLER ELECTRIC MFG. LLC, APPLETON, WI. USA An ITW Welding Company

Title: ASSY,REMOTE PANEL (A60I WELD)

NOT TO SCALE      CONFIDENTIAL      SHEET: 2 of 2

© MILLER ELECTRIC MFG. LLC ("MILLER"). THIS DOCUMENT FILE AND THE INFORMATION CONTAINED THEREIN ("MATERIAL") IS MILLER PROPRIETARY AND CONFIDENTIAL INFORMATION AND SHALL NOT BE DUPLICATED OR DISTRIBUTED WITHOUT MILLER'S EXPRESS WRITTEN CONSENT. THIS MATERIAL SHALL BE USED SOLELY FOR THE PURPOSE SET FORTH BY MILLER AND SHALL BE RETURNED TO MILLER UPON REQUEST.

Orig. Dwn. By: DJT	Date: 07/27/20	Size: B	Drawing No: 301602	Rev: B
Rev. Appvd. By: CL	Date: 05/05/21			

4

3

2

1