



**Miller**

The Power of Blue®



**2023**

**ACCESSORIES AND CONSUMABLES CATALOG**

[MILLERWELDS.COM](http://MILLERWELDS.COM)

# 2023 Accessories and Consumables Catalog

## SERIAL NUMBER REFERENCE

The letters of the serial numbers are very significant. Please supply the letters along with the numbers.

Yr/Month	Serial #	Style #	Yr/Month	Serial #	Style #
1968/Jan.	T-436102	T1	1996/Jan.	KG041900	KG01
1968/July	T-452888	T6	1996/July	KG173969	KG26
1969/Jan.	U-472600	U1	1997/Jan.	KH300251	KH01
1969/July	U-493984	U6	1997/July	KH438994	KH26
1970/Jan.	W-517910	W1	1998/July	KJ000100	KJ01
1970/July	70-539663	70-6	1998/July	KJ165696	KH26
1971/Jan.	71-559155	71-1	1999/Jan.	KK000100	KK01
1971/July	71-581468	71-6	1999/July	KK173909	KK26
1972/Jan.	72-604096	72-1	2000/Jan.	LA000200	LA01
1972/July	72-626994	72-6	2000/July	LA210095	LA27
1973/Jan.	HD655498	HD1	2001/Jan.	LB000200	LB01
1973/July	HD689465	HD6	2001/July	LB195125	LB26
1974/Jan.	HE730188	HE1	2002/Jan.	LC000201	LC01
1974/July	HE778187	HE6	2002/July	LC230270	LC26
1975/Jan.	HF821067	HF1	2003/Jan.	LC361720	LD01
1975/July	HF860240	HF6	2003/July	LC528002	LD26
1976/Jan.	HG000500	HG1	2004/Jan.	LE020006	LE02
1976/July	HG044257	HG6	2004/July	LE260001	LE26
1977/Jan.	HH000500	HH1	2005/Jan.	LF010001	LF01
1977/July	HH050101	HH6	2005/July	LF260001	LF26
1978/Jan.	HJ106001	HJ1	2006/Jan.	LG010001	LG01
1978/July	HJ169391	HJ6	2006/July	LG260001	LG26
1979/Jan.	HK220001	HK1	2007/Jan.	LH010001	LH01
1979/July	HK286000	HK27	2007/July	LH260001	LH26
1980/Jan.	JA356001	JA1	2008/Jan.	LJ010001	LJ01
1980/July	JA410000	JA28	2008/July	LJ260001	LJ26
1981/Jan.	JB465001	JB1	2009/Jan.	LK010001	LK01
1981/July	JB522459	JB26	2009/July	LK260001	LK26
1982/Jan.	JC585001	JC1	2010/Jan.	MA010001	MA01
1982/July	JC626075	JC26	2010/July	MA260001	MA26
1983/Jan.	JD660001	JD1	2011/Jan.	MB010001	MB01
1983/July	JD688500	JD26	2011/July	MB260001	MB26
1984/Jan.	JE732465	JE1	2012/Jan.	MC010001	MC01
1984/July	JE783729	JE27	2012/July	MC027001	MC27
1985/Jan.	JF835606	JF1	2013/Jan.	MD010001	MD01
1985/July	JF905000	JF26	2013/July	MD270001	MD27
1986/Jan.	JG000500	JG1	2014/Jan.	ME010001	ME01
1986/July	JG071437	JG26	2014/July	ME270001	ME27
1987/Jan.	JH146311	JH16	2015/Jan.	MF010001	MF01
1987/July	JH229162	JH41	2015/July	MF270001	MF27
1988/Jan.	JJ319663	JJ15	2016/Jan.	MG010001	MG01
1988/July	JJ413787	JJ41	2016/July	MG280001	MG28
1989/Jan.	JK529151	JK15	2017/Jan.	MH010001	MH01
1989/July	JK636569	JK41	2017/July	MH270001	MH27
1990/Jan.	KA737051	KA15	2018/Jan.	MJ010001	MJ01
1990/July	KA824820	KA41	2018/July	MJ270001	MJ27
1991/Jan.	KB000500	KB15	2019/Jan.	MK010001	MK01
1991/July	KB089898	KB41	2019/July	MK270001	MK01
1992/Jan.	KC170500	KC15	2020/Jan.	NA010001	NA01
1992/July	KC262180	KC41	2020/July	NA270001	NA27
1993/Jan.	KD341750	KD15	2021/Jan.	NB010001	NB01
1993/July	KD449472	KD41	2021/July	NB260001	NB26
1994/Jan.	KE550001	KE01	2022/Jan.	NC010001	NC01
1994/July	KE668695	KE26	2022/July	NC260001	NC26
1995/Jan.	KF780420	KF01	2023/Jan.	ND010001	ND01
1995/July	KF923923	KF26	2023/July	ND260001	ND26

### Letter Business

A	Advanced Technologies Prod.	N	Small Integrated MIG Systems
B	Light Industrial Products	P	Plasma Products
C	3-Phase Industrial Products	Q	Performance Engine Drive
E	Industrial Engine Driven Prod.	R	Commercial Power Products
F	ITW Cooling Systems	S	WCC/Parts Business
G	Pipe Welding Products	T	Tregaskiss
H	Portable Power Products	U	Advanced Manufacturing Sys.
K	Component Products	W	Wire Feed Systems
L	TIG Industrial Products	Y	Troy Equipment
M	Fast Switch Products	Z	Other

Some serial numbers **STARTING** in 2003 have a letter at the end of the serial number. See chart above for business unit letter designations.













Serial number example: **LG360937P** LG = 2006, 36 = Week 36 (manufactured in week 36), **0937** = Item 937, **P** = manufactured by Plasma Products

\*Maxstar 150 models used the LD serial number prefix in 2003. Note: Style number replaces serial numbers on some models.





## Contents

<b>4</b>		<b>Welding Protection</b> Head and Face ..... 4 Respiratory ..... 10 Heat Stress ..... 13
<b>16</b>		<b>MIG Guns</b> Miller MIG Gun/Machine Reference ..... 16 MDX™-Series MIG Gun Parts/Consumables ..... 17 M-Series MIG Gun Parts/Consumables ..... 20 Roughneck® MIG Gun Parts/Consumables ..... 23 Ironmate™ Flux Cored Gun Parts/Consumables ..... 25 Millermatic Service Parts ..... 27
<b>28</b>		<b>Spool Guns</b> Miller Spool Gun Parts/Consumables ..... 28
<b>38</b>		<b>Drive Rolls</b> Miller Drive Rolls, Guides and Kits ..... 38
<b>42</b>		<b>Submerged Arc</b> Torch Parts/Consumables ..... 42
<b>44</b>		<b>Plasma Cutting</b> Plasma Torches/Machine Reference ..... 44 XT Torch Parts/Consumables ..... 45 ICE Torch Parts/Consumables ..... 48
<b>56</b>		<b>Gas Equipment</b> Hoses and Hose Fittings ..... 56 Pressure and Flow Gauges ..... 57 Repair Parts ..... 58 Smith Equipment® ..... 59
<b>60</b>		<b>Engine Drives</b> Portable Engine Drive Tune-Up Components ..... 60 Portable Engine Drive Service Parts ..... 64 Industrial Engine Drive Tune-Up Kit Components ..... 65
<b>67</b>		<b>Spot Welders</b> Tongs and Tips ..... 67
<b>69</b>		<b>TIG Torches</b> TIG Connectors ..... 69 Weldcraft® TIG Torch Parts/Consumables ..... 70 Weldcraft® TIG Torch Accessories ..... 95
<b>97</b>		<b>Welding Related Products</b> Weld Testing/Paint/Scrubs®/Pliers ..... 97
<b>98</b>		<b>Service Parts</b> Connectors/Plugs/Receptacles ..... 98 Cable Connectors ..... 100 Electrode Holders/Work Clamps ..... 102 Labels ..... 103 Power Terminal Parts/Receptacles and Plugs ..... 104 True Blue Warranty ..... 105

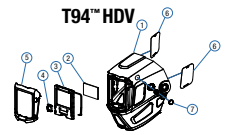
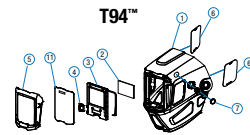
# 2023 Accessories and Consumables Catalog

## T94™ Series 4 Sensors

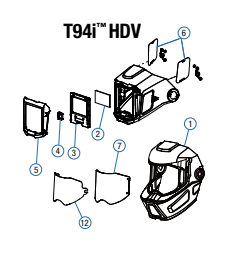
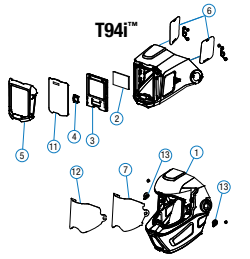
Item #	Description	T94™	T94i™	T94™ HDV	T94i™ HDV	T94i™ XL HDV
1	Helmet Shell (QR)	258864	258854	288761	288762	287771
2	Lens Cover, Inside 4-3/16 in x 2-1/2 in (5 Per Pkg)	216327	216327	216327	216327	—
	Lens Cover, Inside 4-3/4 in x 3-1/8 in (5 Per Pkg)	—	—	—	—	287777
3	Lens Assembly, ADF T94 CL2	—	—	289871	—	—
	Lens Assembly, ADF T94i™ CL2	—	—	—	289874	—
	Lens Assembly, ADF T94i™ XL CL2	—	—	—	—	287778
	Lens Assembly, with cable	260557	—	—	—	—
	Lens Assembly, without cable	—	259572	—	—	—
4	Tray, Battery	259574	259574	259574	259574	259574
	Battery, Lithium (CR2450)	217043	217043	217043	217043	217043
5	Lens Cover Assembly, Front HDV (5 Per Pkg)	—	—	287016	287016	287016
	Lens Holder, Front	265309	265309	—	—	—
6	Covers, Side Window	260197	260197	260197	260197	260197
	Button, Grind Mode	256179	—	256179	—	—
7	HDV Grinding Shield, T94i™/T94i™ XL	—	—	—	288765	288765
	Lens Tear-Off, Grind Shield	—	—	—	258853	258853
	Spring, Torsional	—	—	—	284548	284548
	Lens, Grinding Shield (Clear)	—	258979	—	—	—
	Headgear, Gray	260486	260486	260486	260486	260486
9	Kit, Headgear Adjust Angle	265891	265891	265891	265891	265891
10	Headband, Fabric	770249	770249	770249	770249	770249
	Adapter, Magnification Lens	—	—	—	—	290209
11	Lens Cover, Front	265304	265304	—	—	—
	Shield, Grinding Tear Away	—	258853	—	258853	258853
13	Clip, Retaining Grinding Shield	—	245819	—	—	—



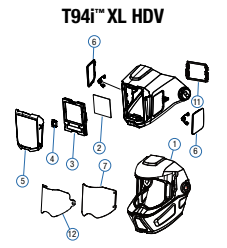
T94™  
260482  
21 oz.



T94i™  
292037 (260483)  
26 oz.



T94™ HDV  
287758  
21.1 oz.



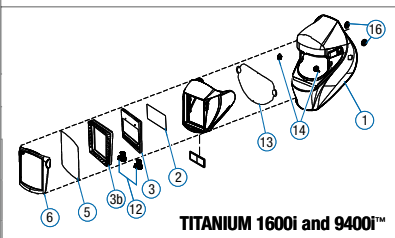
T94i™ HDV  
288759  
26 oz.



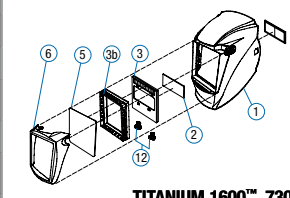
T94i™ XL HDV  
287768  
28 oz.

## Titanium Series™ 4 Sensors

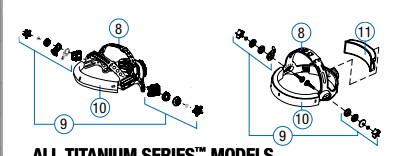
Item #	Description	TITANIUM 1600™	TITANIUM 1600i™	TITANIUM 7300™		TITANIUM 9400™		TITANIUM 9400i™	
				ANALOG	DIGITAL	ANALOG	DIGITAL	ANALOG	DIGITAL
1	Helmet Shell, Titanium (QR)	243530	245820	243530	258601	243530	258601	245820	245820
2	Inside Lens Cover (5 1/4 x 4 1/2 in) (5-Pkg)	235628	235628	—	—	—	—	—	—
	Inside Lens Cover (4 1/4 x 2 in) (5-Pkg)	—	—	770237	770237	—	—	—	—
	Inside Lens Cover (4 1/4 x 2 1/2 in) (5-Pkg)	—	—	—	—	216327	216327	216327	216327
3	Auto-Darkening Lens Assembly	—	—	245816	256358	256360	256359	245817	256360
3b	Gasket, Lens Assembly (QR)	245813	245813	245814	241977	241977	241977	241977	241977
5	Front Lens Cover (4 11/16 x 5 5/8 in) (5-Pkg)	216326	216326	216326	216326	216326	216326	216326	216326
6	Front Lens Holder, Titanium	243396	245815	243396	243396	243396	243396	245815	245815
8	Ratchet Headgear Assembly (Includes #9 & #10)	770246	770246	770246	256174	770246	256174	770246	256174
9	Adjustment Angle/Stop Hardware Kit	770248	770248	770248	256178	770248	256178	770248	256178
10	Fabric Headband	770249	770249	770249	770249	770249	770249	770249	770249
	Replacement O-Rings For Kits 258178 & 770248 (5 Per Pkg)	079975	079975	079975	079975	079975	079975	079975	079975
11	Comfort Cushion	216336	216336	216336	—	216336	—	216336	—
12	Battery Tray, Kit (Left/Right)	—	—	232027	216339	216339	216339	216339	216339
	Battery, Lithium CR2450 (Not Shown)	—	—	217043	217043 (2)	217043 (2)	217043 (2)	217043 (2)	217043 (2)
13	Lens, Grinding Shield (Clear)	—	245818	—	—	—	—	245818	245818
14	Clips, Retaining Grinding Shield	—	245819	—	—	—	—	245819	245819
15	Button, Replacement External Grind	—	—	—	256179	—	256179	—	—
16	Clips, Visor Hinge (I-Series Shell)	—	255070	—	—	—	—	255070	255070
17	Lens Tear-Off, Grind Shield (Clear) (Not Shown)	—	254278	—	—	—	—	254278	254278
18	Kit, Weld Shield Hinge	—	269929	—	—	—	—	269929	269929



TITANIUM 1600i and 9400i™



TITANIUM 1600™, 7300 and 9400™



ALL TITANIUM SERIES™ MODELS

# Digital Infinity™ Series

## 4 Sensors

Item #	Part #	Description	Quantity
1	271340	Helmet Shell, Black Ops	1
1	271335	Helmet Shell, Black	1
1	271336	Helmet Shell, Stars & Stripes	1
1	271337	Helmet Shell, Camo	1
1	271339	Helmet Shell, Departed	1
1	280942	Helmet Shell, Relic	1
1	286970	Helmet Shell, Imperial	1
1	292934	Helmet Shell, '22 Custom Kindig-it	1
1	278005	Helmet Shell, Honor™	1
2	271319	Lens Cover, Inside 4-3/4 in x 3-1/4 in	1
3	289713	Lens Assembly, Auto-Darkening	1
3	280077	<b>ClearLight™</b> Lens Assembly, Auto-Darkening	1
3	289713	<b>ClearLight™</b> 2.0 Lens Assembly, Auto-Darkening	1
4	271320	Lens Cover, Front 6 in x 5-5/8 in	1
5	271322	Holder, Front Lens (Black)	1
5	271323	Holder, Front Lens (Silver)	1
5	271324	Holder, Front Lens (Camo)	1
5	292028	Holder, Front Lens (Tan)	1
5	287830	Holder, Front Lens (Maroon)	1
5	280939	Holder, Front Lens (White)	1
6	271325	Headgear, Gray (Gen III) (Includes)	1
7	256178	Kit, Adjustment Angle/Stop Hardware	1
8	770249	Headband, Fabric	1
9	271326	Cushion, Top Headgear	1
10	271327	Tray, Battery (Left/Right) (Infinity)	2
	217043	Battery, Lithium (CR2450)	1
11	770250	Bag, Helmet (Miller Logo)	1
12	271328	Adapter, Magnification Lens (XI)	1
13	212235	Lens, 0.75 Magnification	1
13	212236	Lens, 1.00 Magnification	1
13	212237	Lens, 1.25 Magnification	1
13	212238	Lens, 1.50 Magnification	1
13	212239	Lens, 1.75 Magnification	1
13	212240	Lens, 2.00 Magnification	1
13	212241	Lens, 2.25 Magnification	1
13	212242	Lens, 2.50 Magnification	1
	222003	Adapter, Hard Hat	1
	259637	Adapter, Hard Hat, Slotted QR	1



**Black**  
289714  
21.4 oz.



**Stars & Stripes™**  
288420  
21.4 oz.



**Imperial™**  
288725  
21.4 oz.



**Departed™**  
289720  
21.4 oz.



**Black Ops™**  
289715  
21.4 oz.



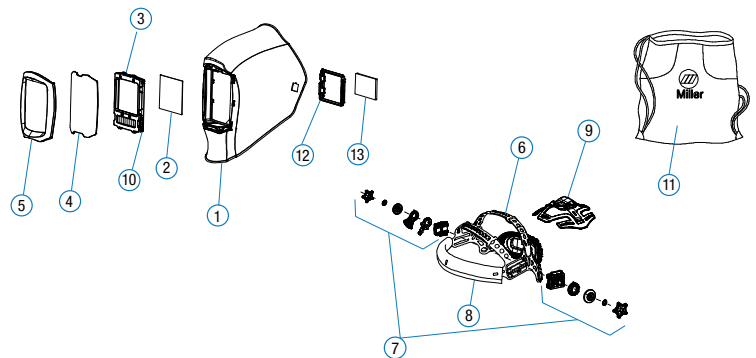
**Relic™**  
288722  
21.4 oz.



**'22 Custom Kindig-it**  
292933  
21.4 oz.



**Honor™**  
280054  
21.4 oz.



# Welding Protection

## Digital Elite™ Series

### 4 Sensors

Item #	Description	Elite Analog	Elite Digital	Ext. Grind
1	Helmet Shell, Black (QR) External Grind	—	—	288927
	Helmet Shell, Black	216331	216331	—
	Helmet Shell, Black (QR)	241976	241976	—
	Helmet Shell, Camouflage	227190	227190	—
	Helmet Shell, Stars and Stripes III	265709	265709	—
	Helmet Shell, Inferno	223454	223454	—
	Helmet Shell, Lucky's Speed Shop	237872	237872	—
	Helmet Shell, Pink Camo	273954	273954	—
	Helmet Shell, Fury	256172	256172	—
	Helmet Shell, Vintage Roadster	260086	260086	—
	Helmet Shell, Not Forgotten	260128	260128	—
	Helmet Shell, Blue Flame	269274	269274	—
Helmet Shell, Hot Rod Garage	269947	269947	—	
Helmet Shell, Raptor	280958	280958	—	
Helmet Shell, Gear Box	—	288522	—	
Helmet Shell, Blue Rage II	—	291192	—	
2	Inside Lens Cover (4 1/4 x 2 1/2 in) (5-Pkg)	216327	216327	216327
	Lens Assembly, Digital Elite	216328	280056	289876
3	ClearLight™ Lens Assembly, Auto-Darkening	216328	280056	—
	ClearLight™ 2.0 Lens Assembly, Auto-Darkening	—	289753	289876
3a	Gasket, Auto-Darkening Lens Assembly	234758	234758	—
3b	Gasket, Lens Assembly (QR)	241977	241977	241977
4	Gasket, Front Lens	216337	216337	—
5	Front Lens Cover (4 1/16 x 5 5/8 in) (5-pkg)	216326	216326	216326
6	Front Lens Holder, Black, Flat	241978	241978	241978
7	Lens Holding Frame	216335	234759	—
8	Ratchet Headgear Assembly (includes #9 & #10)	770246	284218	284218
9	Adjustment Angle/Stop Hardware Kit	770248	256178	256178
10	Fabric Headband	770249	770249	770249
	Replacement O-Rings For Kits 258178 & 770248 (5 Per Pkg)	079975	079975	079975
11	Comfort Cushion	216336	—	—
12	Battery Tray, ClearLight™	216339	216339	216339
	Battery, Lithium CR2450 (Not Shown)	217043 (2)	217043 (2)	217043 (2)
	Battery Tray, ClearLight™ 2.0	293968	293968	293968



**Stars and Stripes™ III**  
289759  
18 oz.



**Gear Box™**  
289844  
18 oz.



**Black External Grind**  
288924  
18 oz.



**Lucky's Speed Shop™**  
289756  
18 oz.



**Vintage Roadster™**  
289764  
18 oz.



**Blue Rage II™**  
281010  
18 oz.



**Raptor™**  
289768  
18 oz.

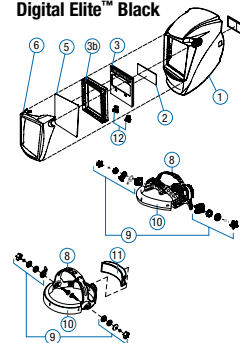


**Black**  
289755  
18 oz.

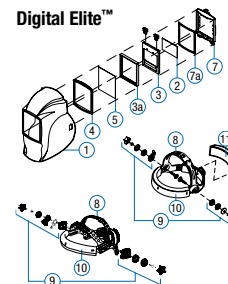


**Inferno™**  
289762  
18 oz.

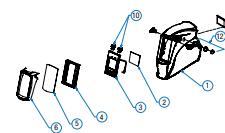
### Elite™ Analog and Digital Elite™ Black



### Digital Elite™



### Digital Elite™ External Grind



## Digital Performance™ Series

### 3 Sensors

Item #	Description	Performance Series	
		ANALOG	DIGITAL
1	Helmet Shell, Black	232020	232020
	Helmet Shell, American Eagle II	265708	265708
	Helmet Shell, Blue Rage	241459	241459
	Helmet Shell, Illusion	256171	256171
	Helmet Shell, '64 Custom	250533	250533
	Helmet Shell, Crusher	287366	287366
	Helmet Shell, Unity	291190	291190
	Helmet Shell, Unity	291190	291190
2	Inside Lens Cover (4 1/4 x 2 in) (5-Pkg)	770237	770237
3	Auto-Darkening Lens Assembly	232026	289779
	ClearLight™ Lens Assembly, Auto-Darkening	232026	280055
	ClearLight™ 2.0 Lens Assembly, Auto-Darkening	—	289779
4	Gasket, Front Lens	232028	232028
5	Front Lens Cover (4 3/8 x 5 in) (5-Pkg)	231921	231921
6	Front Lens Holder, Black, Flat	232030	232030
	Front Lens Holder, Gloss Black	232032	232032
	Front Lens Holder, Camouflage	243395	243395
	Front Lens Holder, Light Blue	251278	251278
	Front Lens Holder, White	257041	257041
	Front Lens Holder, Silver	291515	291515
	8	Ratchet Headgear Assembly (Includes #9 & #10)	770246
9	Adjustment Angle/Stop Hardware Kit	770248	256178
10	Fabric Headband	770249	770249
	Replacement O-Rings For Kits 258178 & 770248 (5 Per Pkg)	079975	079975
11	Comfort Cushion	216336	—
12	Battery Tray, ClearLight™	232027	256730
	Battery, Lithium CR2450 (Not Shown)	217043	217043 (2)



**Blue Rage™**  
289802  
17 oz.



**'64 Custom™**  
289807  
17 oz.



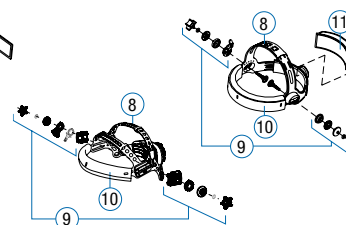
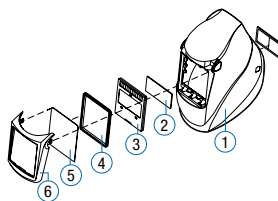
**Unity™**  
282006  
17 oz.



**Black**  
289842  
17 oz.



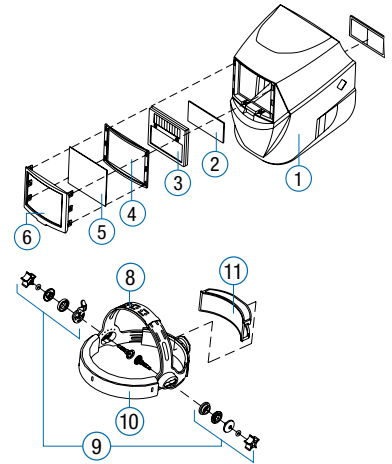
**Crusher™**  
289808  
17 oz.





## Digital Pro-Hobby Series 2 Sensors

Item #	Description	Pro-Hobby Series	
		ANALOG	DIGITAL
1	Helmet Shell, Black	231415	231415
	Helmet Shell, Camouflage	231418	231418
	Helmet Shell, American Eagle II	265707	265707
	Helmet Shell, Metalworks	260087	260087
2	Inside Lens Cover (4 1/4 x 1 3/4 in) (5-Pkg)	231410	231410
3	Lens Assembly	231409	256467
4	Gasket, Front Lens	231412	231412
5	Front Lens Cover (4 1/2 x 3 3/4 in) (5-Pkg)	231411	231411
	Front Lens Holder, Black, Flat	231572	231572
	Front Lens Holder, Gray	231573	231573
	Front Lens Holder, Red	231574	231574
	Front Lens Holder, Blue	231575	231575
6	Front Lens Holder, Camouflage	231576	231576
8	Ratchet Headgear Assembly (Includes #9 & #10)	770246	284218
9	Adjustment Angle/Stop Hardware Kit	770248	256178
10	Fabric Headband	770249	770249
	Replacement O-Rings For Kits 258178 & 770248 (5 Per Pkg)	079975	079975
11	Comfort Cushion	216336	—
12	Battery Tray, Kit (Left/Right)	—	256729
	Battery, Lithium CR2450 (Not Shown)	AAA Alkaline	217043 (2)
	Battery Cover (Not Shown)	231413	—

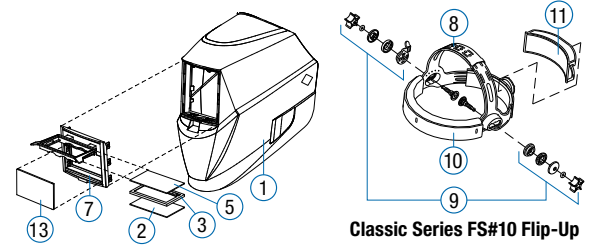


Digital/Analog Pro-Hobby™ Series  
16oz.

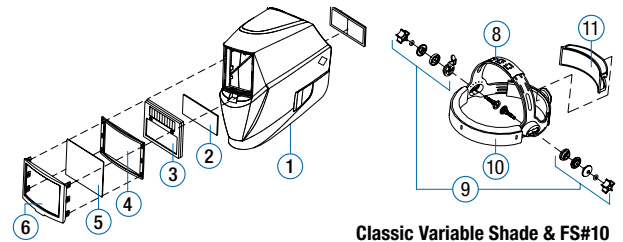
## Classic Series 3-Year Warranty

Item #	Description	Classic Series			
		FS#10	VS™	VSi™	FS#10 Flip-Up*
1	Helmet Shell, Black	231415	231415	261824	231415
	Helmet Shell, Stars & Stripes	—	265707	—	—
	Helmet Shell, Red Flame	—	231419	—	—
	Helmet Shell, Metalworks	—	260087	—	—
	Helmet Shell, Camouflage	—	231418	—	—
	Helmet Shell, Rise	—	278770	—	—
	Helmet Shell, Liberty	—	287370	—	—
	Helmet Shell, Metal Matrix	—	288520	—	—
	Helmet Shell, Hex	—	290887	—	—
	2	Inside Lens Cover (4 1/4 x 2 in) (5-Pkg)	—	—	—
Inside Lens Cover (4 1/4 x 1 3/4 in) (5-Pkg)		231410	231410	231410	—
3	ClearLight™ Lens Assembly, Auto-Darkening	231571	287806	200541	287830
3b	Gasket, Lens Assembly (QR)	—	—	261827	—
4	Gasket, Front Lens	231412	231412	—	—
5	Front Lens Cover (4 1/4 x 2 in) (5-Pkg)	—	—	—	770237
	Front Lens Cover (4 1/2 x 3 3/4 in) (5-Pkg)	231411	231411	—	—
	Front Lens Cover (5 1/4 x 4 1/2 in) (5-Pkg)	—	—	235628	—
6	Front Lens Holder, Black, Flat	231572	231572	261828	—
7	Frame, Lens Holding	—	—	—	261829
8	Ratchet Headgear Assembly (Includes #9 & #10)	770246	770246	770246	770246
9	Adjustment Angle/Stop Hardware Kit	770248	770248	770248	770248
10	Fabric Headband	770249	770249	770249	770249
	Replacement O-Rings For Kits 258178 & 770248 (5 Per Pkg)	079975	079975	079975	079975
11	Comfort Cushion	216336	216336	216336	216336
12	Battery, Lithium CR2450 (Not Shown)	—	217043	217043	—
	Battery Cover (Not Shown)	—	266781	266781	—
13	Lens, Grinding Shield (Clear)	—	—	245818	261830
14	Clips, Retaining Grinding Shield	—	—	245819	—
16	Clips, Visor Hinge (I-Series Shell)	—	—	255070	—
17	Lens Tear-Off, Grind Shield (Clear) (Not Shown)	—	—	254278	—

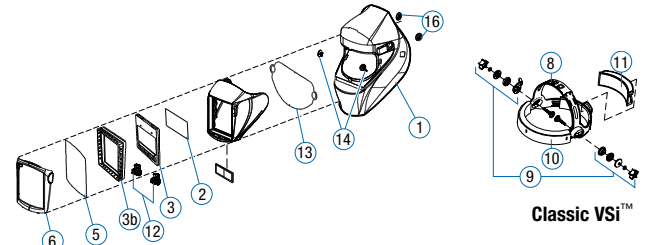
\*Order flip-up separately. VSi Hinge Kit 269929



Classic Series FS#10 Flip-Up



Classic Variable Shade & FS#10



Classic VSi™



FS#10 Flip-Up  
287798  
14 oz.



VSi  
287794  
23 oz.



Black™ (VS)  
287803  
16 oz.



Metalworks™ (VS)  
287810  
16 oz.



Rise™ (VS)  
287815  
16 oz.



Liberty™ (VS)  
287820  
16 oz.



Metal Matrix™  
288519  
16 oz.



Hex™  
291189  
16 oz.

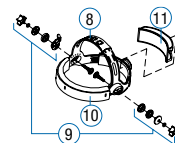
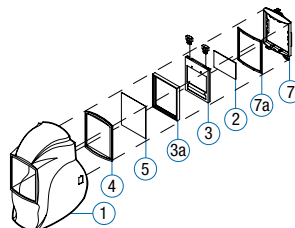
# Welding Protection

## MP-10™ Series 90-Day Warranty

Item #	Description	MP-10 Series
1	Helmet Shell, Black	216331
	Helmet Shell, Inferno	223454
2	Inside Lens Cover (5 1/4 x 4 1/2 in) (5-Pkg)	235628
3	Filter Plate	235630
4	Gasket, Front Lens	216337
5	Front Lens Cover (4 11/16 x 5 5/8 in) (5-Pkg)	216326
7	Lens Holding Frame	234759
		216335
7a	Spacer, Lens Holding (MP-10)	235629
8	Ratchet Headgear Assembly (Includes #9 & #10)	770246
9	Adjustment Angle/Stop Hardware Kit	770248
10	Fabric Headband	770249
	Replacement O-Rings For Kits 258178 & 770248 (5 Per Pkg)	079975
11	Comfort Cushion	216336



**Black**  
238497 (Each)



**MP-10™**

## Helmet Accessories and Packages



**Gen 3.5 Headgear**  
284218

Ergonomic design with comfort cushion provides extensive adjustability, settings and enhanced support



**Gen 4 Headgear**  
260486

Ergonomic, four-point flexible design provides a secure fit while avoiding major pressure points within the head

- T94 Series Helmets



**Helmet Hook**  
251018

- Holds welding helmets, grinding shields or other helmets with a headgear
- Silicone strap secures the helmet in place



**Top Helmet Cape/  
Helmet Bib**  
279080/253882

Attaches to bottom of the helmet with hook-and-loop fasteners for added neck coverage



**Helmet Bag**  
770250

- Drawstring closure
- Ultra-soft inside liner
- Exterior storage pouch



**Job Site Tool Bag**  
228028

- Over twenty separate pockets
- Opening of 12 x 18.5 inches (305 x 470 mm)
- 12.5 x 14 x 22 (overall dimensions)



**Hard Hat Adapter**  
213110 (XI and XLi)  
265315 (T94 Series)

222003 (Titanium, XLix, Elite, Performance, ProHobby, Classic and MP-10 Series)

Compatible with Fibre Metal and MSA hats. Other brands may fit depending on size and shape. Helmet and hat not included.



**Slotted Hard Hat Adapter**  
259637

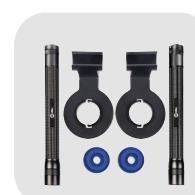
**Slotted Hard Hat Adapter Hardware**  
284548 / 263369

Compatible with most slotted hard hats  
Helmet and hard hat not included



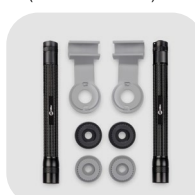
**2x4 Auto-Darkening Lens**  
Shade 8: 770660  
Shade 9 w/ ClearLight™: 287828  
Shade 10 w/ ClearLight™: 287830  
Shade 11 w/ ClearLight™: 287833

- Fits all 2x4-inch windows
- Solar powered, two arc sensors
- Light state shade 3
- Two-year warranty



**T94™ Helmet Lighting Kit**  
281361

- Designed exclusively for T94™ Series welding helmets



**Helmet Lighting Kit**  
282013

- Lighting accessory kit for MP-10™, Classic, Digital Performance™, Digital Elite™ and Digital Infinity™ Series welding helmets

## Lenses

Bulk Cover Lenses		
Part #	Description	Quantity
265304B	Front Lens Cover, T94	50 pkg.
287016B	Front Lens Cover, T94 HDV	50 pkg.
216326B	Front: Elite, Titanium, MP-10	50 pkg.
216327B	Inside: Elite, Titanium, 9400i, T94, T94i	50 pkg.
231921B	Front: Performance	50 pkg.
770237B	Inside: Performance	50 pkg.
231411B	Front: Pro-Hobby, Classic	50 pkg.

Magnifying Lenses for All Miller Helmets (Lens size is 4 1/4" x 2" x 5/23)	
Part #	Strength
212235	0.75 Magnification
212236	1.00 Magnification
212237	1.25 Magnification
212238	1.50 Magnification
212239	1.75 Magnification
212240	2.00 Magnification
212241	2.25 Magnification
212242	2.50 Magnification



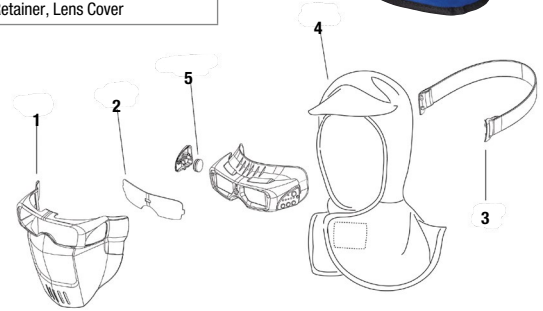


## Weld-Mask™

Item #	Part #	Description	Quantity
	<b>267370</b>	<b>Weld-Mask™ Unit</b>	
1	<b>267422</b>	Guard, Face	1
2	<b>267420</b>	Cover, Lens	1 (5 per pkg)
3	<b>270053</b>	Band, Head	1
4	<b>267421</b>	Cover, Head FR.	1
5	<b>270055</b>	Battery, Non-Rechargeable CR2032	2 (1 per pkg)
	<b>272116</b>	Lens Cover Retainer	
	<b>272117</b>	Cover, Battery	
	<b>272118</b>	Cover, Control	
	<b>272119</b>	Silicon Eye Skirt	
	<b>272120</b>	Retainer Frame, Silicon Eye Skirt	
	<b>272131</b>	Suction Cup, Lens Cover	
	<b>272124</b>	Magnifying Lens Frame	
	<b>272137</b>	Anti-Fog Film	

### Weld-Mask™ Lens Options

Part #	Description
<b>281190</b>	Magnifying Lenses, Diopter .75
<b>273764 (281191)</b>	Magnifying Lenses, Diopter 1.00
<b>273765</b>	Magnifying Lenses, Diopter 1.25
<b>273766</b>	Magnifying Lenses, Diopter 1.50
<b>273767</b>	Magnifying Lenses, Diopter 1.75
<b>273768 (281195)</b>	Magnifying Lenses, Diopter 2.00
<b>273769</b>	Magnifying Lenses, Diopter 2.25
<b>281197</b>	Magnifying Lenses, Diopter 2.50
<b>272120</b>	Retainer Frame, Silicon Eye Skirt
<b>272116</b>	Retainer, Lens Cover

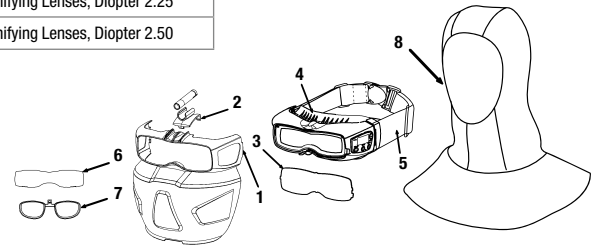


## Weld-Mask™ 2

Item #	Part #	Description	Quantity
	<b>280982</b>	<b>Weld-Mask™ 2 Unit</b>	
1	<b>280980</b>	Guard, Face	1
2	<b>281188</b>	Light Accessory Kit (optional)	
3	<b>280985</b>	Cover, Lens	1 (5 per pkg)
4	<b>280984</b>	Silicon Eye Skirt	1
5	<b>280981</b>	Band, Head	1
6	<b>280986</b>	Cover, Anti-Fog Lens	
7	<b>280987</b>	Magnifying Lens Frame	
8	<b>280983</b>	Cover, Head FR.	1
	<b>217043</b>	Battery, CR2450	1
	<b>280988</b>	Cover, Battery	
	<b>285787</b>	Hard Hat Adaptor	
	<b>281014</b>	Replacement bag	

### Weld-Mask™ 2 Lens Options

Part #	Description
<b>281190</b>	Magnifying Lenses, Diopter .75
<b>281191</b>	Magnifying Lenses, Diopter 1.00
<b>281192</b>	Magnifying Lenses, Diopter 1.25
<b>281193</b>	Magnifying Lenses, Diopter 1.50
<b>281194</b>	Magnifying Lenses, Diopter 1.75
<b>281195</b>	Magnifying Lenses, Diopter 2.00
<b>281196</b>	Magnifying Lenses, Diopter 2.25
<b>281197</b>	Magnifying Lenses, Diopter 2.50



## FACE SHIELD

Item #	Part #	Description	Quantity
1	<b>288269</b>	Face Shield with Clear Lens	1
2	<b>288274</b>	Face Shield with Clear + Anti-Fog Lens	1
3	<b>288270</b>	Face Shield with Shade 3 Lens	1
4	<b>288273</b>	Face Shield with Shade 5 Lens	1
5	<b>288275</b>	Clear Replacement Lens	1
6	<b>288278</b>	Clear + Anti-Fog Replacement Lens	1
7	<b>288276</b>	Shade 3 Replacement Lens	1
8	<b>288277</b>	Shade 5 Replacement Lens	1
9	<b>288280</b>	Headgear and Crown	1



## Titanium Series PAPR I Service Parts/Consumables

	Description	PAPR w/ Titanium 9400™	PAPR w/ Titanium 9400 (New Headgear)	PAPR w/ Titanium 9400i™	PAPR w/ Titanium 9400i (New Headgear)	PAPR w/ Hard Hat
	<b>PAPR (Complete System w/ Helmet)</b>	247533 (N/A) 262615* (N/A)	264879***	247531 (N/A)	264877	259385 (w/9400 Helmet) 261659** (w/9400i Helmet)
	<b>PAPR (Complete System w/out Auto-Darkening Lens)</b>	247534 (N/A) 262616* (N/A)	264882	247532 (N/A)	264878	—
	<b>PAPR (Complete System w/out Helmet)</b>	—	—	—	—	259386
1	Helmet Assembly (Shell, Headgear and Headseal)	245217 (N/A) 262623	264883	247471	264884	—
	Helmet Assembly (Hard Hat, Headgear and Headseal)	—	—	—	—	259387
2	Headgear (Includes:)	223430	256174	247472	256174	—
	Fabric Headband	770249	770249	770249	770249	—
3	Adjustment angle/stop hardware kit (w/O-rings)	770248	256178	770248	256178	—
	Replacement O-rings for kit 770248 (5 pack)	079975	—	079975	—	—
4	Headgear (Hard Hat)	—	—	—	—	259388
5	Head Seal	247470	265629	247473	265628	259389 (w/goggles)
6	Lens holder, Front	243396 (N/A)	243369 (N/A)	245815	245815	243396 (9400) 245815 (9400i)
7	Outside Cover Lens (4-11/16 x 5-5/8)	216326	216326	216326	216326	216326
8	Frame/Gasket, ADF lens holding	241977	241977	241977	241977	241977
9	Auto-Darkening Lens Assembly (Titanium) (Infotrak)	256360 256359	256359	256360	256360	256359
10	Battery tray kit (left/right)	216339	216339	216339	216339	216339
	Battery, Lens (Lithium CR2450)	217043 (2)	217043 (2)	217043 (2)	217043 (2)	217043 (2)
11	Inside Cover Lens (4-1/4 x 2-1/2) (5 pack)	216327	216327	216327	216327	216327
12	Lens, Grinding Shield (Titanium 9400i)	—	—	245818	245818	245818
	Tear-away, Grinding Shield	—	—	254278	254278	259391
	Clip, Retaining Grinding shield (left/right)	—	—	245819	245819	—
	Kit, Weld Shield Hinge	—	—	269929	269929	—
13	Shoulder Straps	235680	235680	235680	235680	235680
14	Belt	235679	235679	235679	235679	235679
15	Belt Pad	239636	239636	239636	239636	239636
16	Flowmeter	245219	245219	245219	245219	260890
17	Breathing Tube Assembly	245218	245218 (43")	247474 (36")	245218	259392
18	Breathing Tube Cover, Flame-resistant	245367	245367	239571	245367	239571
	O-Ring, Breathing Tube	237452	237452	237452	237452	259394
19	Blower Assembly	235672	235672	235672	235672	235672
	Kit, Battery Contact	269930	269930	269930	269930	269930
20	Filter, Particulate (HEPA) (2 pack)	235673-2	235673-2	235673-2	235673-2	235673-2
	Filter, Particulate (HEPA) (6 pack)	235673-6	235673-6	235673-6	235673-6	235673-6
	Filter, Particulate (HEPA) (36 pack)	235673-36	235673-36	235673-36	235673-36	235673-36
21	Filter, Prefilter (foam) (6 pack)	235674	235674	235674	235674	235674
21	Filter, Prefilter NUIS OV	268841	268841	268841	268841	268841
22	Spark Guard	235676	235676	235676	235676	235676
23	Filter Cover	235677	235677	235677	235677	235677
24	Tool Bag	228028	228028	228028	228028	228028
25	Battery/Charger Kit (Battery, Blower)	292037 (244131)	292037 (244131)	292037 (244131)	292037 (244131)	292037 (244131)
26	Charger	244132	244132	244132	244132	244132
27	Belt Extension	244151	244151	244151	244151	244151
28	Hard Hat (for PAPR)	—	—	—	—	259460
29	Slotted Hard Hat Adapter	—	—	—	—	259637
	Lens, Clear (Hard Hat Headseal)	—	—	—	—	259390
	Button, Replacement External Grind	—	256179	—	—	256179
	Kit PAPR Battery Contact Replacement	269930	269930	269930	269930	269930
	Fabric Sweatband, HH	—	—	—	—	270176

\* Indicates part number features external grind control button.

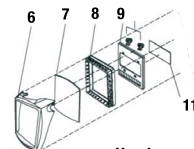
\*\*New Battery and Battery Chargers

Serial number of PAPR Blower: 20200612392477, Serial Number of HEPA Filter: 202006123928902

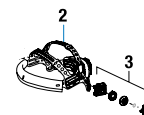
\*\*\* Suggested replacement for PAPR with Titanium 9400 is PAPR with T94-R™ (264573)



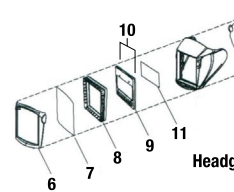
PAPR w/ Titanium 9400 Helmet



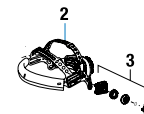
Headgear



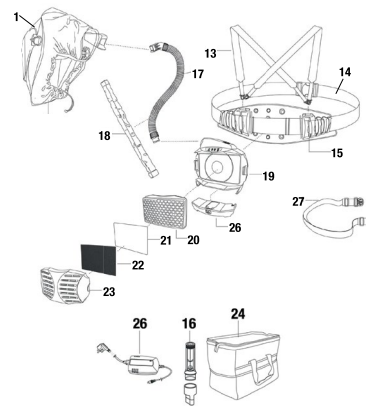
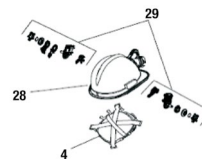
PAPR w/ Titanium 9400i Helmet



Headgear



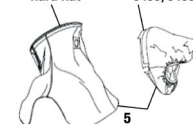
PAPR w/Hard Hat



Hard Hat

9400, 9400i

Head Seal





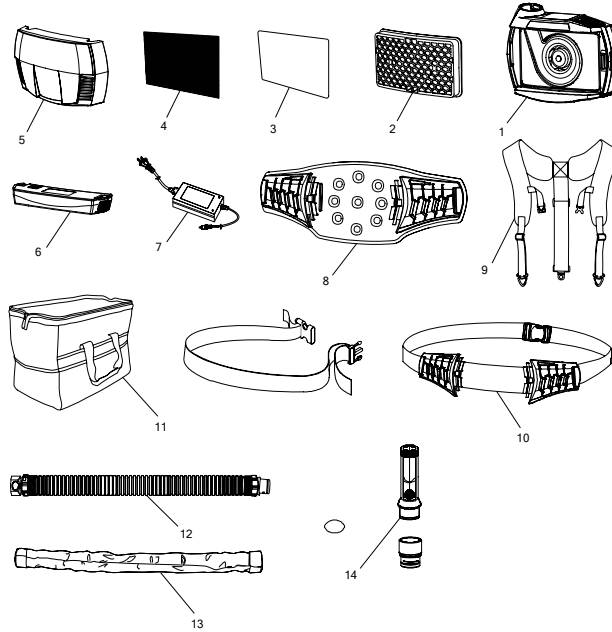
## PAPR II

### Service Parts/Consumables

### PAPR II Blower Assembly

	Description	Blower Assembly
1	Blower Assembly	287172
2	Filter, Particulate (HEPA) 2 Pack	287170-2
	Filter, Particulate (HEPA) 6 Pack	287170-6
	Filter, Particulate (HEPA) 36 Pack	287170-36
3	Prefilter, 6 pack	235674
	Prefilter, Nuisance OV, 6 Pack	268841
4	Spark Guard	235676
5	Filter Cover	287175
6	Battery, Blower	287178
7	Battery Charger	282077
8	Belt Pad	288941
9	Shoulder Straps	287177
10	Belt	287176
	Belt Leather	264582
	Belt Extension	244151
11	Bag	228028
12	Breathing Tube Assembly	261704
13	FR Breathing Tube Cover	265312
14	Flow Meter	277222

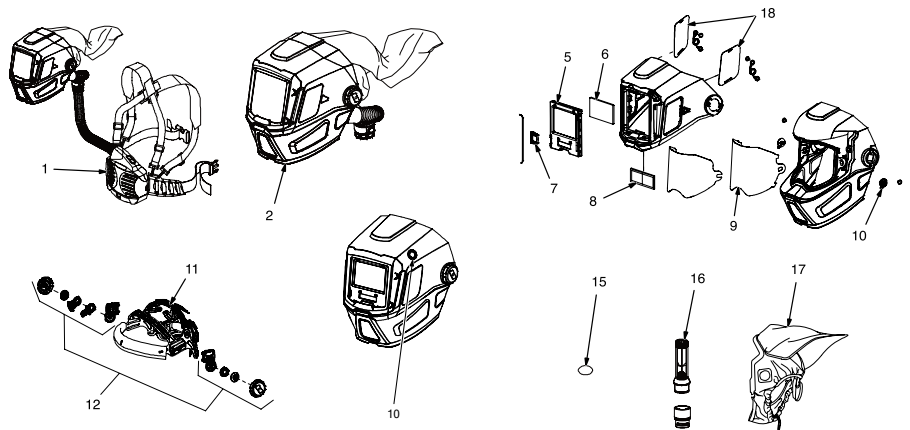
### PAPR II Blower Assembly



### Hard Hat Head Assembly

	Description	Blower Assembly
1	PAPR (Complete System With T94IH-R Helmet)	287510
2	Helmet Assembly (Includes Helmet, Headgear And FR Head Seal)	287191
	Label, Warning Helmet (Tyvek) En/Sp/Fr	282746
3	Lens, Front Cover HDV (5 Per Pkg)	287016
4	Lens, Grind Shield HDV	288765
5	FR Head Seal	287187
6	FR Head Seal Heavy Duty	287188
7	Breathing Tube Assembly	261704
8	FR Breathing Tube Cover	265312
9	O-Ring, Breathing Tube	237452
10	Flowmeter	277222
11	Lens Assembly, Auto-Darkening (T94i CL2)	289874
	Battery, Lithium (CR2450)	217043
12	Lens Cover, Inside (4-1/4 x 2-1/2) (5 Per Pkg.)	216327
13	Battery Tray	259574

### Hard Hat Head Assembly



260483 / 265312 / 277222 / 280821 / 261704

### Face Shield Head Assembly

	Description	Face Shield PAPR
1	PAPR, Clear, Complete System	288356
	PAPR Head Assy, Clear	288353
2	Lens, Face Shield PAPR, Clear	288348
	Lens, Face Shield PAPR, Shade 3	288349
	Lens, Face Shield PAPR, Shade 5	288350
3	Helmet, Shell Face Shield PAPR	288352
4	Lens Locks, RH/LH PAPR	288351
5	Headgear, Gen 5	288343
6	Head Seal, Standard	288344
7	Head Seal, Heavy-Duty	288346

### Face Shield Head Assembly

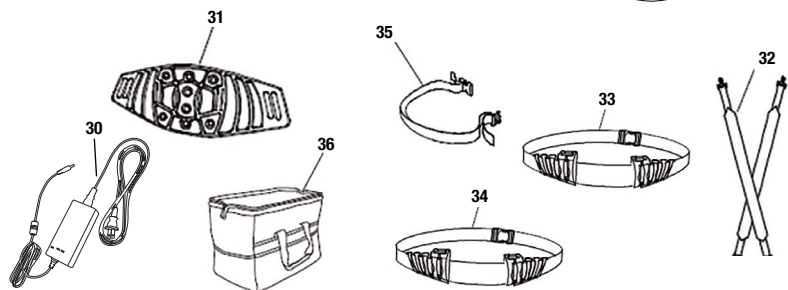
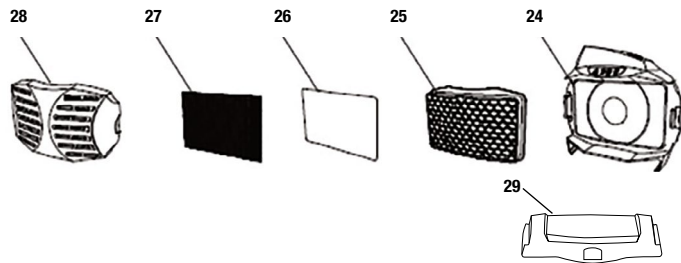
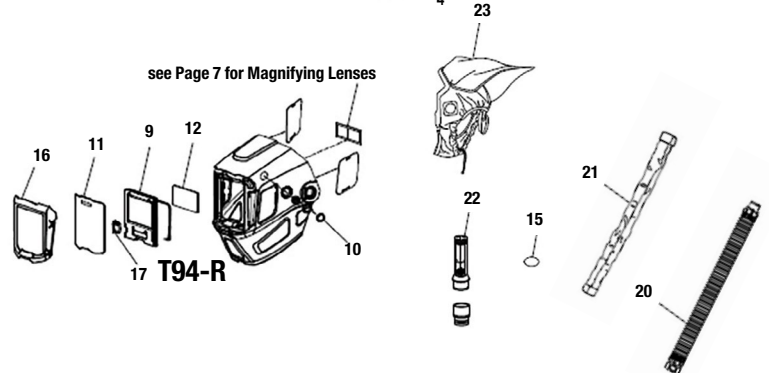
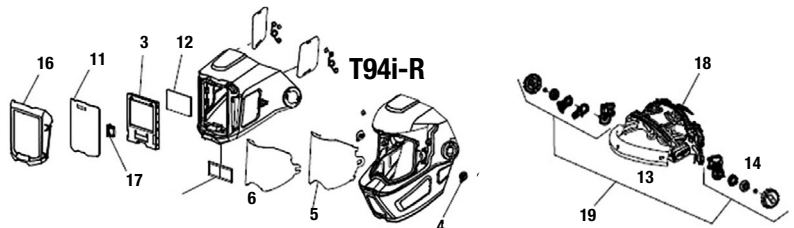
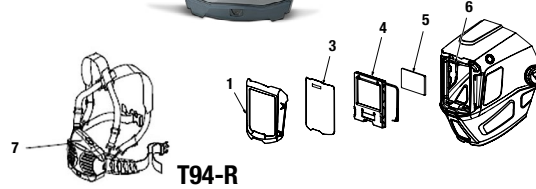
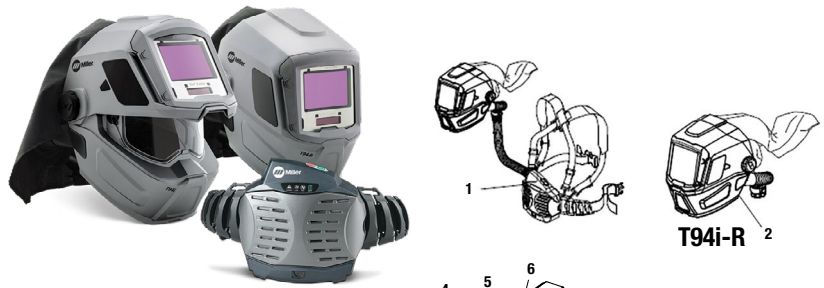


# Welding Protection

## T94-R™ & T94i-R™ PAPR I & SAR

Service Parts/  
Consumables

	Description	PAPR	SAR
1	<b>T94i-R™ Series (Complete Systems)</b>	264575	—
2	Head Assembly (without auto-darkening lens assembly)	265305	265305
3	Auto-Darkening Lens	259572	259572
4	Clip, Retaining Grinding Shield	245819	245819
5	Lens, Grinding Shield	258979	258979
6	Tear-Away Grinding Shield Covers	258853	258853
7	<b>T94-R™ Series (Complete Systems)</b>	264573	—
8	Head Assembly (without auto-darkening lens assembly)	260821	—
9	Auto-Darkening Lens	260557	—
10	External Grind Button	256179	—
<b>Consumables</b>			
11	Lens Cover, Outside	265304	265304
	Battery, Lithium CR2450 (not pictured)	217043	217043
12	Lens Cover, Inside	216327	216327
13	Headband, Fabric	770249	770249
14	Replacement O-Rings (5-Pack)	079975	079975
15	Breathing Tube O-Ring	237452	237452
<b>Replacement Parts/Accessories</b>			
16	Lens Holder, Front	265309	265309
17	Battery Tray	259574	259574
18	Headgear Kit (Gray)	260486	260486
19	Kit, Adjustment Angle/Stop Hardware	265891	265891
20	Breathing Tube Assembly	261704	261704
21	FR Breathing Tube Cover	265312	265312
22	Flowmeter	277222	277222
23	FR Head Seal (Hood)	260926	260926
<b>PAPR Replacement Parts &amp; Consumables</b>			
24	Blower Assembly	235672	—
25	Filter, Particulate (HEPA) 2 pack	235673-2	—
	Filter, Particulate (HEPA) 6 pack	235673-6	—
	Filter, Particulate (HEPA) 36 pack	235673-36	—
26	Filter, Prefilter 6 pack	235674	—
	Filter, Prefilter, Nuisance OV Relief 6 pack (not pictured)	268841	—
27	Spark Guard	235676	—
28	Filter Cover	235677	—
29	Battery, Blower	282076	—
<b>PAPR Accessories</b>			
30	Charger	282077	—
31	Belt Pad	239636	—
32	Flame-resistant Shoulder Straps	235680	—
33	Belt	235679	—
34	Belt, Leather	264582	—
35	Belt Extension	244151	—
36	Bag	228028	—

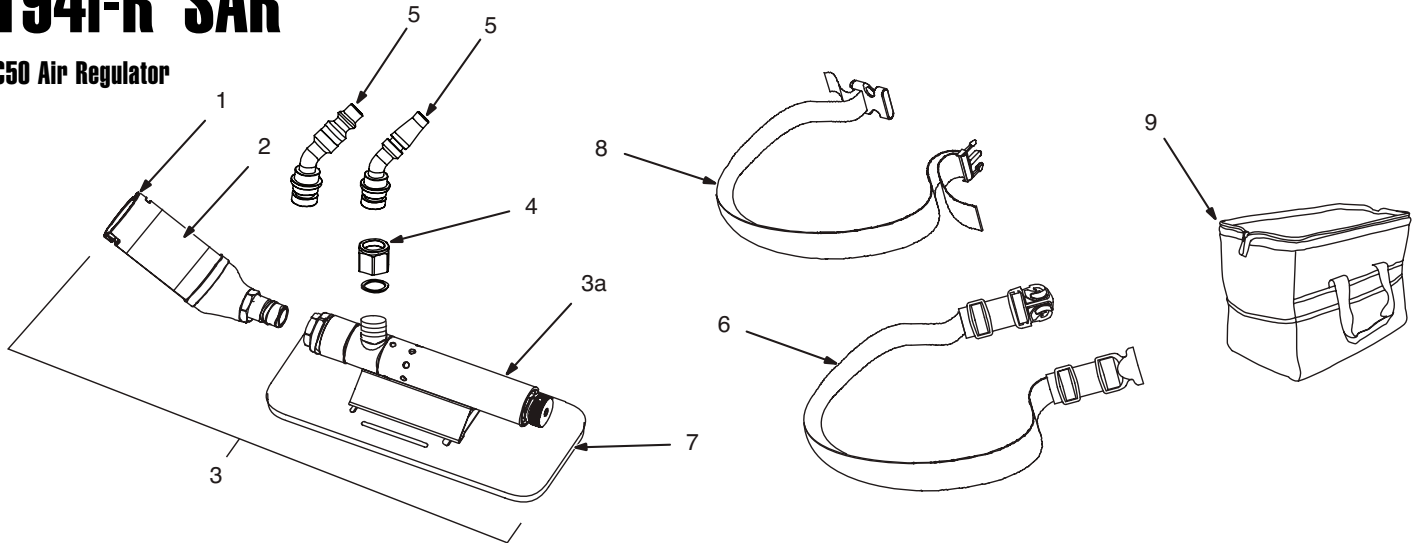


PN: 244131 and 244132 may also be used with T94 and T94i Head Assemblies



## T94i-R™ SAR

### C50 Air Regulator

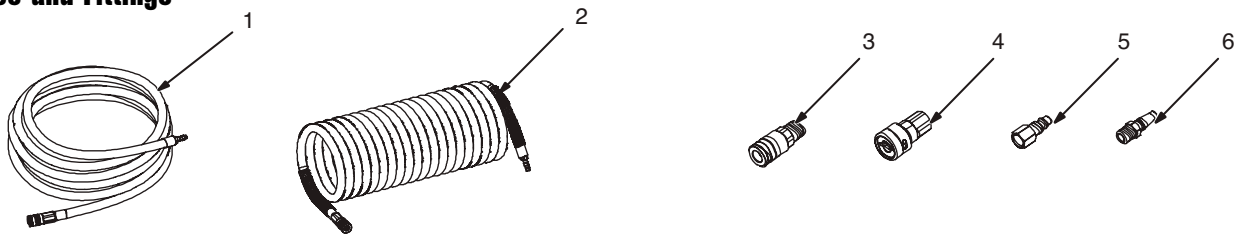


Item #	Part #	Description	Quantity
1	270417	Adapter	1
2	272668 <sup>1</sup>	Label, Warning Supplied Air Respirator	1
3	291876	C50 Air Regulator Assembly (Includes item #1-7)	1
3a	270412	C50 Air Regulator	1
4	272740	Valve Nut w/ Plastic Washer	1
5	272735 <sup>2</sup>	Valve Plug, Curved, 1/4 in. MPT 1/4 in. Body, Industrial Interchange	1
5	272736 <sup>2</sup>	Valve Plug, Curved, 1/4 in., MPT 1/4 in. Body, Schrader	1
6	270416	Belt	1
6	264872 <sup>2</sup>	Belt, Leather	1
7	270415	Belt Pad	1
8	244151 <sup>2</sup>	Belt, Extension	1
9	228028	Bag	1

<sup>1</sup> When ordering a component originally displaying a precautionary label, the label should also be ordered.

<sup>2</sup> Optional

## Hoses and Fittings



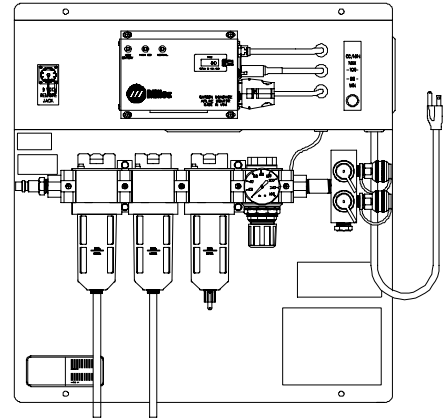
Item #	Part #	Description (Airline Hoses And Quick Disconnect Fittings)	Quantity
1	270405	Straight, 25 Ft, 3/8 in. ID w/ 1/4 in. Industrial Interchange, Quick Disconnect	1
1	270407	Straight, 100 Ft, 3/8 in. ID w/ 1/4 in. Industrial Interchange, Quick Disconnect	1
2	270408	Coiled, 25Ft, 3/8 in. ID w/ 1/4 in. Industrial Interchange, Quick Disconnect	1
2	270410	Coiled, 100Ft, 3/8 in. ID w/ 1/4 in. Industrial Interchange, Quick Disconnect	1
3	270438	Hose Socket, 1/4 in. FPT, 1/4 in. Body, Industrial Interchange, Manual Connect	1
4	270440	Hose Socket, 1/4 in. FPT, 1/4 in. Body, Schrader	1
5	270436	Hose Plug, 1/4 in. FPT, 1/4 in. Body, Industrial Interchange, Auto Connect	1
6	270437	Hose Plug, 1/4 in. FPT, 1/4 in. Body, Schrader	1

# Welding Protection

## T94i-R™ SAR

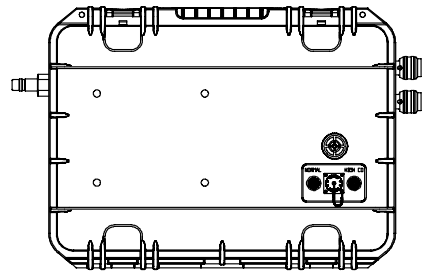
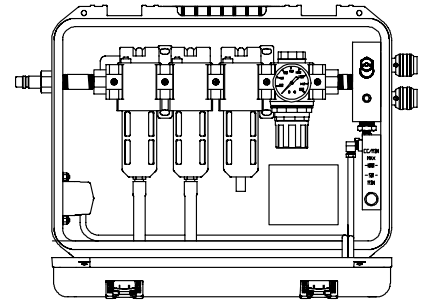
### BreatheAir™ Panel

Item #	Description	2 Person Panel Model	4 Person Panel Model
1	Box/Panel Plug, ½ in. Ind Intg	276007	276007
2	Alarm, Audible High CO	276165	276165
5	Carbon Monoxide Monitor, Panel, 10 ppm	276190	276190
5	Carbon Monoxide Monitor, Panel, 5 ppm (Canada)	276268	276268
6	Plug (fitting), Flowmeter and Cal Reg to Monitor	276003	276003
9	CO Sensor	275987	275987
9	Pressure Gauge, 0-160 psi	276164	276164
11	Box/Panel Socket, ¼ in. Ind Intg	276158	276158
11	Box/Panel Socket, ¼ in. Schrader	276162	276162
21	Filter Bowl with Guard and Auto Drain	276185	276174
24	Manual Drain	276184	276184
25	Filter Bowl and Guard Only	276187	276175
	Monitor Calibration Kit, US (contains 20 ppm CO Gas for Calibrating 10 ppm US System)	275988	275988
	Monitor Calibration Kit, Canada (contains 10 ppm CO Gas for Calibrating 5 ppm Canadian System)	275989	275989
	Alarm Assembly, Remote	275997	275997



### BreatheAir™ Portable Box

Item #	Description	2 Person Box Model	4 Person Box Model
1	Box/Panel Plug, ½ in. Ind Intg	276007	276007
14	Alarm, Audible High CO	276012	276012
12	Carbon Monoxide Monitor, Panel, 10 ppm	276166	276166
12	Carbon Monoxide Monitor, Panel, 5 ppm (Canada)	276267	276267
	CO Sensor	275987	275987
6	Pressure Gauge, 0-160 psi	276164	276164
8	Box/Panel Socket, ¼ in. Ind Intg	276158	276158
8	Box/Panel Socket, ¼ in. Schrader	276162	276162
23	Filter Bowl with Guard and Auto Drain	276185	276174
26	Manual Drain	276184	276184
27	Filter Bowl and Guard Only	276187	276175
	Monitor Calibration Kit, US (contains 20 ppm CO Gas for Calibrating 10 ppm US System)	275988	275988
	Monitor Calibration Kit, Canada (contains 10 ppm CO Gas for Calibrating 5 ppm Canadian System)	275989	275989
	Alarm Assembly, Remote w/ Strobe Light 100 ft.	275997	275997





## LPR-100™ Half Mask Respirator

Description	Part #
LPR-100 Half Mask Respirator, Small/Medium	ML00894
LPR-100 Half Mask Respirator, Medium/Large	ML00895
LPR-100 Half Mask Respirator with Nuisance Level OV Filter, Small/Medium	ML00994
LPR-100 Half Mask Respirator with Nuisance Level OV Filter, Medium/Large	ML00995
<b>Consumables/Accessories</b>	
P100 Filters	SA00818
P100 Nuisance Level OV Relief Filters	SA00819
Quantitative Face-Fit Test Kit	261086
Protective Hard Carrying Case	283374

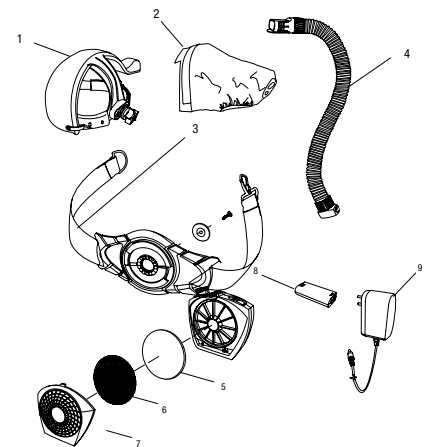
## LPR-100™ /OV Half Mask Respirator

Description	Part #
LPR-100/OV Half Mask Respirator, Small/Medium	ML00996
LPR-100/OV Half Mask Respirator, Medium/Large	ML00997
<b>Consumables/Accessories</b>	
P100/OV Filters	SA00820
Quantitative Face-Fit Test Kit	261086
Protective Hard Carrying Case	285686



## CoolBelt™ Service Parts/Consumables

Item #	Part #	Description	Quantity
	245230	CoolBelt unit	
1	245235	Headgear (includes)	1
	079975	Replacement O-rings	1 (5 per pkg)
	770249	Fabric headband	1
2	245236	Head shroud (hood)	1
3	245232	Belt	1
4	245231	Hose assembly	1
5	245233	Filter	1 (6 per pkg)
6	247921	Spark Arrestor	1
7	245234	Filter cover	1
8	245237	Battery, blower	1
9	245238	Charger	1
	246964	Hose cover	1
	246965	Warranty Blower	



## Miller® MIG Gun History

Model Name	Serial Number Effective	Original Gun Breakdown	Recommended Replacement Gun(s)	Amperage of Gun at 100% Duty Cycle	Wire Size	Replacement Gun Breakdown
Sidekick™ XL/ Cricket® XL	All Serial Numbers	GA-16C (N/A)	MDX™-100 10 ft part number 1770028	100A	.030-.035 (0.8-0.9 mm)	pg 18
Cricket® XL	All Serial Numbers	GA-16C1 (N/A)	M-100 W/Friction terminals, 10 ft part number 220606	100A	.030-.035 (0.8-0.9 mm)	pg 20
Sidekick™ XL/ Cricket® XL/ Millermatic® 90	All Serial Numbers	GA-17C (N/A)	MDX™-100 10 ft part number 1770028	100A	.030-.035 (0.8-0.9 mm)	pg 18
			M-150 10 ft part number 249039	150A	.030-.035 (0.8-0.9 mm)	pg 20
			M-150 12 ft part number 249040			
Millermatic® 35	Prior to JA448186	(N/A)	M-150 10 ft part number 249039			
			M-150 12 ft part number 249040			
Millermatic® 120/130/150	Prior to KF849783	GA-17C (N/A)	M-150 10 ft part number 249039	150A	.030-.035 (0.8-0.9 mm)	pg 20
	Effective with KF849783	M-15 (N/A)	M-150 12 ft part number 249040			
Millermatic® 125	All Serial Numbers	M-80	M-80 part number 273618	100A	.023-.045 (0.6-1.1 mm)	pg 19
Millermatic® 130 XP	Prior to KK110539	10-A (N/A)	MDX™-100 10 ft part number 1770028	100A	.030-.035 (0.8-0.9 mm)	pg 18
	Effective with KK110539	M-10 (N/A)	M-150 10 ft part number 249039	150A	.030-.035 (0.8-0.9 mm)	pg 20
			M-150 12 ft part number 249040			
Millermatic® 135/140s/175/180/DVI™s/211	All Serial Numbers	M-10 (N/A)	MDX™-100 10 ft part number 1770028	100A	.030-.035 (0.8-0.9 mm)	pg 18
		pg 17	M-150 10 ft part number 249039		.030-.035 (0.8-0.9 mm)	pg 20
			M-150 12 ft part number 249040			
Millermatic® 141/190	All Serial Numbers	M-100	MDX™-100 10 ft part number 1770028	100A	.030-.035 (0.8-0.9 mm)	pg 18
Millermatic® Challenger™	All Serial Numbers	M-15 (N/A)	MDX™-100 10 ft part number 1770028	100A	.030-.035 (0.8-0.9 mm)	pg 18
		pg 17	M-150 10 ft part number 249039	150A	.030-.035 (0.8-0.9 mm)	pg 20
			M-150 12 ft part number 249040			
Millermatic® Challenger™ 172	Prior to KK118238	10-A (N/A)	MDX™-100 10 ft part number 1770028	100A	.030-.035 (0.8-0.9 mm)	pg 18
	Effective with KK118238	M-10 (N/A)	M-150 10 ft part number 249039	150A	.030-.035 (0.8-0.9 mm)	pg 20
		pg 17	M-150 12 ft part number 249040			
Millermatic® 185	All Serial Numbers	M-15 (N/A)	M-150 10 ft part number 249039	150A	.030-.035 (0.8-0.9 mm)	pg 20
		pg 17	M-150 12 ft part number 249040			
Millermatic® 200	GA-20C	M-25 (N/A)	MDX™-250 10 ft part number 1770035	250A	.030-.035 (0.8-0.9 mm)	pg 17
		pg 18	MDX™-250 12 ft part number 1770036			
			MDX™-250 15 ft part number 1770037			
Millermatic® 210/212/250X/251/252	All Serial Numbers	M-25 (N/A)	MDX™-250 10 ft part number 1770035	250A	.030-.035 (0.8-0.9 mm)	pg 17
		pg 18	MDX™-250 12 ft part number 1770036			
			MDX™-250 15 ft part number 1770037			
Millermatic® 211	All Serial Numbers	M-25 (N/A)	MDX™v 100 10 ft part number 1770028	100A	.030-.035 (0.8-0.9 mm)	pg 18
Millermatic® 250	Prior to KF851980	GA-21C (N/A)	MDX™-250 10 ft part number 1770035	250A	.030-.035 (0.8-0.9 mm)	pg 17
	Effective with KF851980	M-25 (N/A)	MDX™-250 12 ft part number 1770036			
		pg 18	MDX™-250 15 ft part number 1770037			
Millermatic® Vintage	All Serial Numbers	GA-20C (N/A)	MDX™-250 10 ft part number 1770035	250A	.030-.035 (0.8-0.9 mm)	pg 17
		GA-21C (N/A)	MDX™-250 12 ft part number 1770036			
		M-25 (N/A)	MDX™-250 15 ft part number 1770037			
		pg 18				
Millermatic® 300	All Serial Numbers	M-40 (N/A)	Q3015AE4VMA <sup>1</sup>	400A	.035-.045 (0.9-1.2 mm)	pg 27
			Q3015AE4VMA <sup>1</sup>			
			Q3015AE4VMA <sup>1</sup>			
Millermatic® 255	All Serial Numbers	M-40 (N/A)	MDX™-250 10 ft AccuLock™ S Consumables part number 1770041	250A	.035/.045 (0.9/1.2 mm)	pg 17
			MDX™-250 12 ft AccuLock™ S Consumables part number 1770042	250A	.035/.045 (0.9/1.2 mm)	
			MDX™-250 15 ft AccuLock™ S Consumables part number 1770043	250A	.035/.045 (0.9/1.2 mm)	
			MDX™-250 10 ft part number 1770035	250A	.030-.035 (0.8-0.9 mm)	
			MDX™-250 12 ft part number 1770036	250A	.030-.035 (0.8-0.9 mm)	
			MDX™-250 15 ft part number 1770037	250A	.030-.035 (0.8-0.9 mm)	
Millermatic® 350	Prior to LE443589	Roughneck C-4012	Q3015AE4VMA <sup>1</sup>	400A	.035-.045 (0.9-1.2 mm)	pg 27
	Effective with LE443589	Q3015AE8XM	Q3015AE4VMA <sup>1</sup>		.035-.045 (0.9-1.2 mm)	
Millermatic® 355	All Serial Numbers	M-40 (N/A)	Q3015AE4VMA <sup>1</sup>	300A	.035 in. (0.9 mm)	pg 27
Millermatic® Passport™/ Passport™ Plus	All Serial Numbers	M-10 (N/A)	MDX™-100 10 ft part number 1770028	150A	.030-.035 (0.8-0.9 mm)	pg 18
		pg 17	M-150 10 ft part number 249039	150A		pg 20
			M-150 12 ft part number 249040			
			M-150 15 ft part number 249041			
Millermatic® Pulser	All Serial Numbers	M-15 (N/A)	M-150 10 ft part number 249039	150A	.035-.045 (0.9-1.2 mm)	pg 20
		pg 17	M-150 12 ft part number 249040			
			M-150 15 ft part number 249041			

Optional Gun: MDX-250 Gun, Part Number 1770038, 15ft. 250A at 100% Duty Cycle, Wire Size .035-.045 (0.9-1.2 mm)

<sup>1</sup> Bernard® BTB Gun 15 ft AccuLock™ S Consumables part number Q3015AE4VMA order through Bernard Customer Service at 1-855-MIGWELD (1-855-644-9353)



### MDX™ Series

100–250 Amp, Semi-Automatic, Air-Cooled MIG Welding Guns



### AccuLock™ Consumable Kits

Miller offers eight MIG consumable kits that are compatible with MDX™ Series guns. Each kit contains consumables that are specific to your welding application, including gun type and wire size.

- 1880272 – MDX-100, AccuLock MDX, .023" (0.6 mm) Wire
- 1880273 – MDX-100, AccuLock MDX, .030" (0.8 mm) Wire
- 1880274 – MDX-100, AccuLock MDX, .035" (0.9 mm) Wire

The above consumable kits contain 10 contact tips, 1 nozzle and 1 gas diffuser.

- 1880275 – MDX-250, AccuLock MDX, .030" (0.8 mm) Wire
- 1880276 – MDX-250, AccuLock MDX, .035" (0.9 mm) Wire
- 1880277 – MDX-250, AccuLock MDX, .045" (1.2 mm) Wire

The above consumable kits contain 10 contact tips, 1 nozzle, 1 gas diffuser and 1 insulator cap.

- 1880278 – MDX-250, AccuLock S, .035" (0.9 mm) Wire
- 1880279 – MDX-250, AccuLock S, .045" (1.2 mm) Wire

The above consumable kits contain 10 contact tips, 1 nozzle, 1 gas diffuser and 1 insulator cap.

## Accessories

For a complete listing of gun consumables information, please refer to pages 17–22.

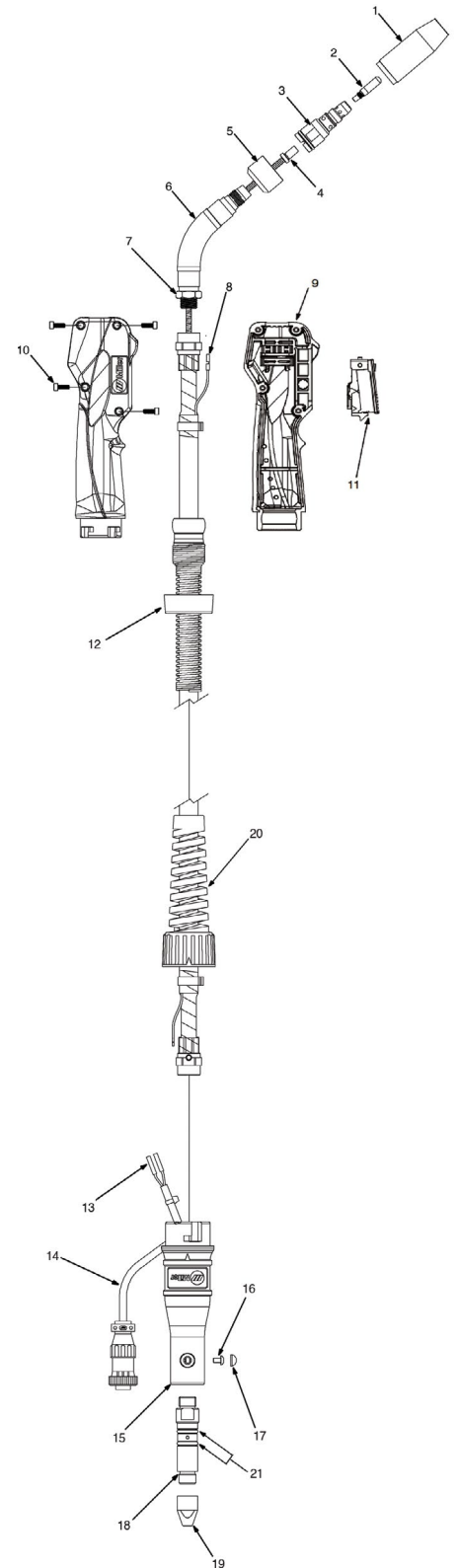




## MDX™ -250 Service Parts/Consumables

Item #	Part #	Description	Quantity
			Std Model
	1770035	MDX™-250, 10 ft (3.0 m), AccuLock™ MDX consumables, .030-.035 in. (0.8-0.9 mm) wire	
	1770036	MDX™-250, 12 ft (3.7 m), AccuLock™ MDX consumables, .030-.035 in. (0.8-0.9 mm) wire	
	1770037	MDX™-250, 15 ft (4.6 m), AccuLock™ MDX consumables, .030-.035 in. (0.8-0.9 mm) wire	
	1770038	MDX™-250, 15 ft (4.6 m), AccuLock™ MDX consumables, .035-.045 in. (0.9-1.2 mm) wire	
	1770041	MDX™-250, 10 ft (3.0 m), AccuLock™ S consumables, .035-.045 in. (0.9-1.2 mm) wire	
	1770042	MDX™-250, 12 ft (3.7 m), AccuLock™ S consumables, .035-.045 in. (0.9-1.2 mm) wire	
	1770043	MDX™-250, 15 ft (4.6 m), AccuLock™ S consumables, .035-.045 in. (0.9-1.2 mm) wire	
1	N-M1200C	Nozzle, AccuLock™ MDX Copper, 1/2 in. Bore, Flush	1
	N-M1218C*	Nozzle, AccuLock™ MDX Copper, 1/2 in. Bore, .125 in. Recess	1
	N-M5800C*	Nozzle, AccuLock™ MDX Copper, 5/8 in. Bore, Flush	1
	N-M5818C*	Nozzle, AccuLock™ MDX Copper, 5/8 in. Bore, .125 in. Recess	1
	N-M58XTC*	Nozzle, AccuLock™ MDX Copper, 5/8 in. Bore, .125 in. Stick Out	1
	N-A5800CM	Nozzle, AccuLock™ S Copper, 5/8 in. Bore, Flush	1
	N-A5818CM*	Nozzle, AccuLock™ S Copper, 5/8 in. Bore, .125 in. Recess	1
	N-A5814CM*	Nozzle, AccuLock™ S Copper, 5/8 in. Bore, .250 in. Recess	1
2	T-M023*	Contact Tip, AccuLock™ MDX .023 in. Wire x 1.125 in.	1
	T-M030*	Contact Tip, AccuLock™ MDX .030 in. Wire x 1.125 in.	1
	T-M035*	Contact Tip, AccuLock™ MDX .035 in. Wire x 1.125 in.	1
	T-M045*	Contact Tip, AccuLock™ MDX .045 in. Wire x 1.125 in.	1
	T-M047*	Contact Tip, AccuLock™ MDX .047 in. Wire x 1.125 in.	1
	T-A023CHM*	Contact Tip, AccuLock™ S .023 in. Wire x 1.125 in.	1
	T-A030CHM*	Contact Tip, AccuLock™ S .030 in. Wire x 1.125 in.	1
	T-A035CHM*	Contact Tip, AccuLock™ S .035 in. Wire x 1.125 in.	1
	T-A039CHM*	Contact Tip, AccuLock™ S .039 in. Wire x 1.125 in.	1
	T-A045CHM*	Contact Tip, AccuLock™ S .045 in. Wire x 1.125 in.	1
3	D-M250	Diffuser, AccuLock™ MDX	1
	D-MA250M	Diffuser, AccuLock™	1
4	LM1A-10*	Liner, AccuLock™ MDX .023/.030 in. Wire x 10 ft	1
	LM1A-12*	Liner, AccuLock™ MDX .023/.030 in. Wire x 12 ft	1
	LM1A-15*	Liner, AccuLock™ MDX .023/.030 in. Wire x 15 ft	1
	LM2A-10	Liner, AccuLock™ MDX .030/.035 in. Wire x 10 ft	1
	LM2A-12	Liner, AccuLock™ MDX .030/.035 in. Wire x 12 ft	1
	LM2A-15	Liner, AccuLock™ MDX .030/.035 in. Wire x 15 ft	1
	LM3A-10	Liner, AccuLock™ MDX .035/.045 in. Wire x 10 ft	1
	LM3A-12	Liner, AccuLock™ MDX .035/.045 in. Wire x 12 ft	1
	LM3A-15	Liner, AccuLock™ MDX .035/.045 in. Wire x 15 ft	1
5	4623RM	Insulator, Neck	1
6	1040086	Neck	1
7	1960011	Nut, Locking	1
8	7000005	Terminal, Switch	2
9	1880265	Handle Kit, Standard (includes Item No. 10 and Item No. 13)	1
10	2280065 (2280065P)	Screw, Handle	4
11	211-5-MDX	Trigger, Switch	1
12	1780099	Cap, Locking Handle	1
13	4932	Connector, Butt	2
14	GN2021	Control Plug, Miller	1
15	2520100	Strain Relief, Rear	1
16	2280056	Screw, Strain Relief	1
17	1620003	Cover, Screw	1
18	2200169	Power Pin Assembly	1
19	2200360	AccuLock™ Power Pin Cap, .023-.030 in. (0.6-0.8 mm)	1
	2200361	AccuLock™ Power Pin Cap, .030-.035 in. (0.8-0.9 mm)	1
	2200362	AccuLock™ Power Pin Cap, .035-.045 in. (0.9-1.2 mm)	1
20	2520033	Strain Relief, Rear Spring	1
21	079974	O-Ring, Power Pin	1

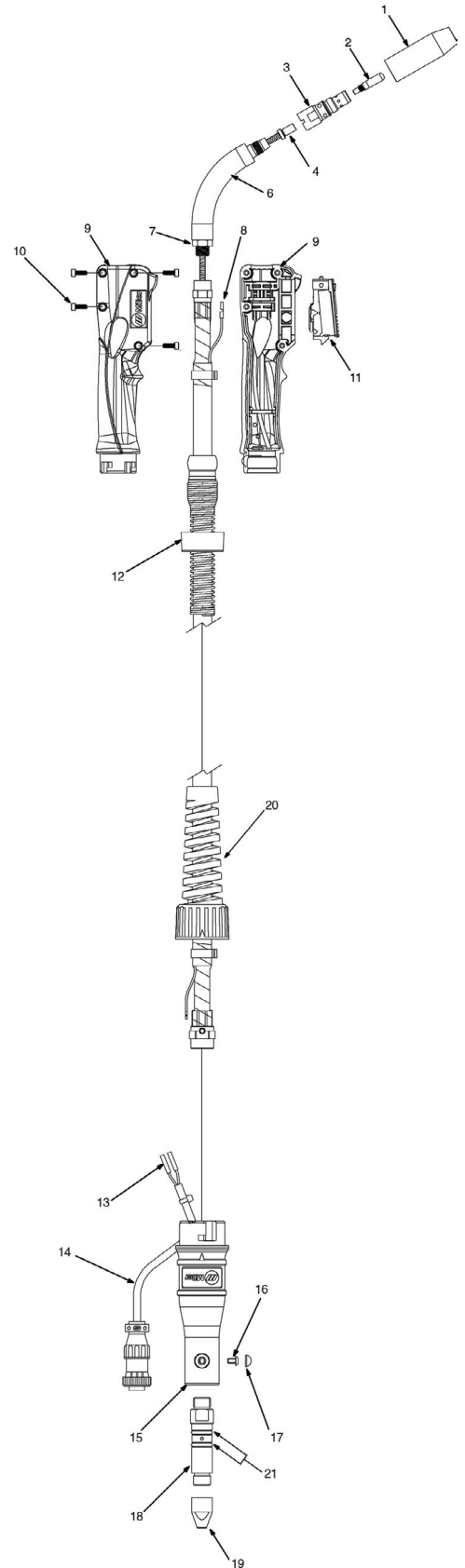
\*Optional



## MDX™ -100 Service Parts/Consumables

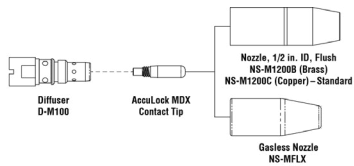
Item #	Part #	Description	Quantity
	1770028	MDX™-100, 10 ft. (3 m), AccuLock™ MDX consumables, .030-.035 in (0.8-0.9 mm) wire	
	1770029	MDX™-100, 15 ft. (4.6 m), AccuLock™ MDX consumables, .030-.035 in (0.8-0.9 mm) wire	
1	NS-M1200C	Nozzle, AccuLock™ MDX Copper, 1/2 in. Bore, Flush	1
	NS-M1200B*	Nozzle, AccuLock™ MDX Brass, 1/2 in. Bore, Flush	1
	NS-MFLX*	Nozzle, AccuLock™ MDX Gasless	1
2	T-M023*	Contact Tip, AccuLock™ MDX .023 in. Wire x 1.125 in.	
	T-M030*	Contact Tip, AccuLock™ MDX .030 in. Wire x 1.125 in.	
	T-M035*	Contact Tip, AccuLock™ MDX .035 in. Wire x 1.125 in.	
	T-M045*	Contact Tip, AccuLock™ MDX .045 in. Wire x 1.125 in.	
	T-M047*	Contact Tip, AccuLock™ MDX .047 in. Wire x 1.125 in.	
3	D-M100	Diffuser, AccuLock™ MDX	1
4	LM1A-10*	Liner, AccuLock™ MDX .023/.025 in. Wire x 10 ft	1
	LM2A-10	Liner, AccuLock™ MDX .030/.035 in. Wire x 10 ft	1
	LM3A-10*	Liner, AccuLock™ MDX .035/.045 in. Wire x 10 ft	1
6	1040087	Neck	1
7	1960012	Nut, Locking	1
8	7000005	Terminal, Switch	2
9	1880266	Handle Kit (includes Item No. 10 and Item No. 13)	1
10	2280065	Screw, Handle	4
11	211-5-MDX	Trigger, Switch	1
12	1780094	Cap, Locking Handle	1
13	4932	Connector, Butt	2
14	GN2021	Control Plug, Miller	1
15	2520100	Strain Relief, Rear	1
16	2280056	Screw, Strain Relief	1
17	1620003	Cover, Screw	1
18	2200169	Power Pin Assembly	1
19	2200360	AccuLock™ Power Pin Cap, .023-.030 in. (0.6-0.8 mm)	1
	2200361	AccuLock™ Power Pin Cap, .030-.035 in. (0.8-0.9 mm)	1
	2200362	AccuLock™ Power Pin Cap, .035-.045 in. (0.9-1.2 mm)	1
20	2520033	Strain Relief, Rear Spring	1
21	7127	O-Ring, Power Pin	1

\*Optional

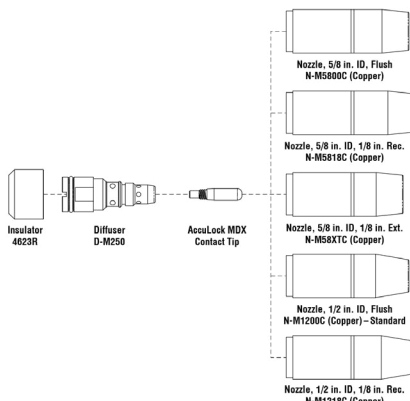


## AccuLock™ Consumables for MDX™-100 MDX™-250 and MIG Guns

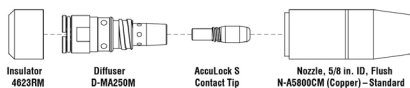
Miller® AccuLock™  
MDX™ Series Consumables  
MDX™-100 MIG Gun



Miller® AccuLock™  
MDX™ Series Consumables  
MDX™-250  
MIG Guns



Bernard® AccuLock™  
S Series Consumables  
MDX™-250  
MIG Guns

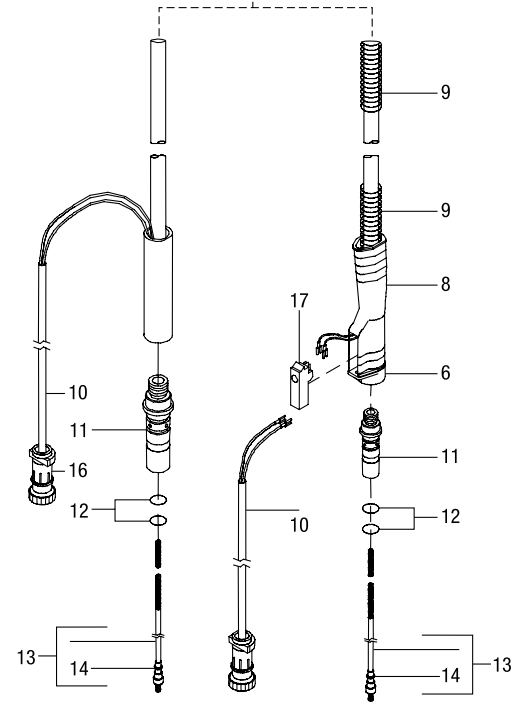
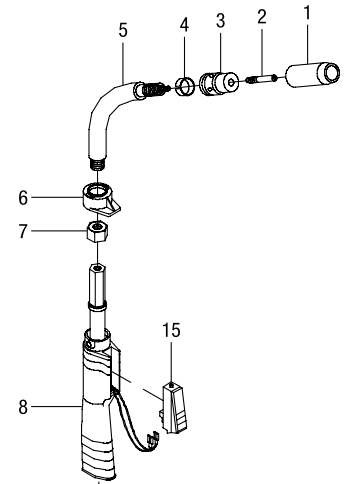


See page 16 for complete list of AccuLock™ S nozzles available



## M-10/M-15 Service Parts/Consumables

Item #	Part #	Description	Quantity	
			M-10	M-15
	195605 (N/A)	M-10 Gun, 10 ft (3 m), 100A, .030-.035 (0.8-0.9 mm)		
	169589 (N/A)	M-15 Gun, 10 ft (3 m), 150A, .030-.035 (0.8-0.9 mm)		
	169591 (N/A)	M-15 Gun, 12 ft (3.7 m), 150A, .030-.035 (0.8-0.9 mm)		
	169593 (N/A)	M-15 Gun, 15 ft (4.6 m), 150A, .030-.035 (0.8-0.9 mm)		
1	169715	Nozzle, slip type, .500 (12.7 mm) orf flush brass, 246372 copper (optional)	1	1 (2 per pkg)
	226190	Nozzle, slip type, flux cored	1	1
2	087299	Tip, contact scr, .023 (0.6 mm) wire x 1.125	1	1 (10 per pkg)
	000067	Tip, contact scr, .030 (0.8 mm) wire x 1.125	1	1 (10 per pkg)
	000068	Tip, contact scr, .035 (0.9 mm) wire x 1.125	1	1 (10 per pkg)
	000069	Tip, contact scr, .045 (1.2 mm) wire x 1.125	1	1 (10 per pkg)
3	169716	Adapter, contact tip	1	1 (2 per pkg)
4	170470	Ring, retaining	1	1
5	169718	Tube, head	1	1
6	169738	Nut, locking handle	1	2
7	169719	Nut, jam (gun end)	1	1
8	169737	Handle	1	2
9	169741 (N/A)	Strain Relief, cable	—	2
10	227800	Cord Assembly with ends	1	1
11	209495	Connector, feeder—M-10 (includes NA)	1	—
11	209486 (N/A)	Connector, feeder—M-15 (includes)	—	1
12	079974	O-Ring, .500 ID x .103CS rbr	2	2
13	194010	Kit, liner monocoil .023/.025 (0.6 mm) wire x 15 ft (includes)	1	1
13	194011	Kit, liner monocoil .030-.035 (0.8-0.9 mm) wire x 15 ft (includes)	1	1
14	079975	O-Ring, .187 ID x .103CS rbr	1	1
15	196255	Switch, Red trigger	1	1
16	079878	Housing Plug and Pins	1	—
	079531	Connector, circ cpc clamp str rlf	1	—
17	169736	Terminal Block	—	1



M-10 Gun

M-15 Gun

## M-Series MIG Guns

\*For a detailed listing, please reference page 12.

Model	Stock #	Length	Rating and Duty Cycle (CO <sub>2</sub> ) <sup>1</sup>	Wire Size (INCHES)	Wire Size (mm)
M-80	273618 <sup>4</sup>	8 ft (2.4 m)	100 A at 100% Duty Cycle	.023–.045 in	(0.6 to 1.1 mm)
M-100	248282	10 ft (3 m)	100 A at 100% Duty Cycle	.030–.035 in	(0.8–0.9 mm)
	220606 <sup>2</sup>				
M-150	249039	10 ft (3 m)	150 A at 100% Duty Cycle	.030–.035 in	(0.8–0.9 mm)
	249040	12 ft (3.7 m)			
	249041	15 ft (4.6 m)			
M-25	169594	10 ft (3 m)	250 A at 100% Duty Cycle	.030–.035 in	(0.8–0.9 mm)
	169596 (1770036)	12 ft (3.7 m)			
	194805 <sup>3</sup>	12 ft (3.7 m)			
	169598 (1770037)	15 ft (4.6 m)			
	169599 (1770038)	15 ft (4.6 m)	250 A at 100% Duty Cycle	.035–.045 in	(0.9–1.2 mm)

<sup>1</sup>60% with mixed gases

## Optional M-Series Gun Nozzles and Tips

Part #	Description	Quantity
	<b>M-25 and M-40 Tapered Nozzles</b>	
176243	Nozzle, Tapered 3/8 in (9.5 mm)	1
178386	Nozzle, Tapered 11/32 in (8.7 mm)	1
	<b>M-25 and M-40 Tapered Contact Tips (1/4 in OD x 1.312 in)</b>	
176797	Contact Tip, Tapered .030 in (0.8 mm)	10
176793	Contact Tip, Tapered .035 in (0.9 mm)	10
176794	Contact Tip, Tapered .045 in (1.2 mm)	10
	<b>M-25 and M-40 Heavy-Duty Spray Contact Tips (5/16 in OD x 1.125 in)</b>	
187117	Contact Tip, Heavy Duty .035 in (0.9 mm)	25
187118	Contact Tip, Heavy Duty .045 in (1.2 mm) - N/A	25



### M-Series Consumable Kits (234607, 234608, 234609)

To better serve you, Miller® has introduced six improved, affordable MIG consumable kits that are compatible with the M-Series guns. Each kit contains consumables that are specific to your welding application, including gun type and wire size.

- 234607–M-10/15, M-100/150 Gun, .023" Wire
- 234608–M-10/15, M-100/150 Gun, .030" Wire
- 234609–M-10/15, M-100/150 Gun, .035" Wire

Consumable Kits 234607, 234608 and 234609 contain 10 contact tips, 1 nozzle and 1 contact tip adapter.

- 234610–M-25 Gun, .030" Wire
- 234611–M-25 Gun, .035" Wire
- 234612–M-25 Gun, .045" Wire

Consumable kits 234610, 234611 and 234612 contain 10 contact tips, 1 nozzle, 1 contact tip adapter and 1 nozzle adapter.





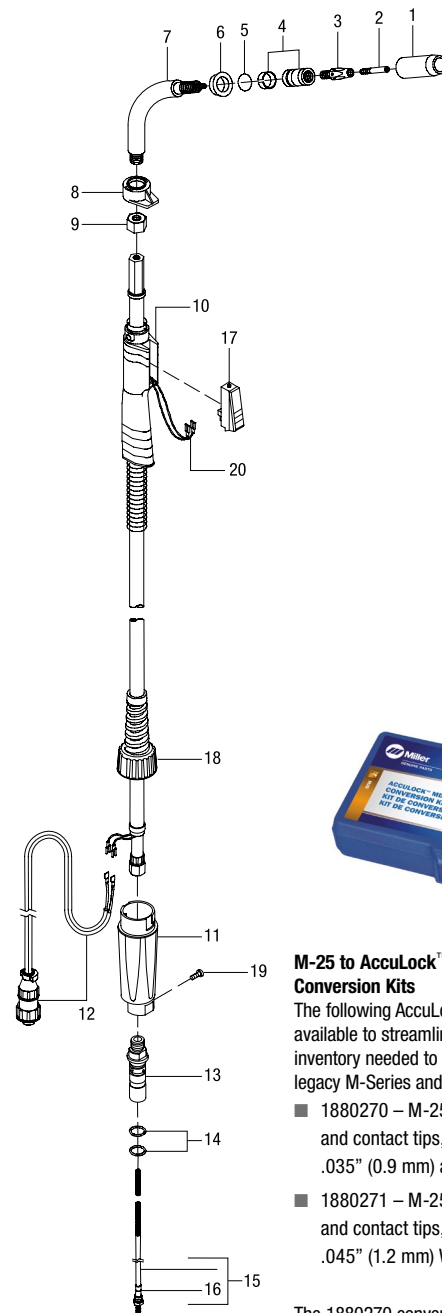
## M-25 Service Parts/Consumables

Item #	Part #	Description	Quantity
	169594 (N/A)	M-25 Gun, 10 ft (3 m), 250A, .030-.035 (0.8-0.9 mm)	
	169596 (N/A)	M-25 Gun, 12 ft (3.7 m), 250A, .030-.035 (0.8-0.9 mm)	
	169598 (N/A)	M-25 Gun, 15 ft (4.6 m), 250A, .030-.035 (0.8-0.9 mm)	
	169599 (N/A)	M-25 Gun, 15 ft (4.6 m), 250A, .035-.045 (0.9-1.2 mm)	
1	169724	Nozzle, slip type, .500 (12.7 mm) orf .125 recess	1
	169725 <sup>1</sup>	Nozzle, slip type, .625 (15.9 mm) orf .125 recess	1
	200258	Nozzle, slip type, .500 (12.7 mm) orf flush	1
	169726 <sup>2</sup>	Nozzle, slip type, .625 (15.9 mm) orf flush	1
	169727	Nozzle, slip type, .625 (15.9 mm) orf .125 stickout	1
2	087299	Tip, contact scr, .023 (0.6 mm) wire x 1.125	1 (10 per pkg)
	000067	Tip, contact scr, .030 (0.8 mm) wire x 1.125	1 (10 per pkg)
	000068	Tip, contact scr, .035 (0.9 mm) wire x 1.125	1 (10 per pkg)
	000069	Tip, contact scr, .045 (1.2 mm) wire x 1.125	1 (10 per pkg)
	172034 <sup>1</sup>	Tip, contact scr 3/64 (1.19 mm) wire x 1.125	1 (10 per pkg)
3	169728	Adapter, contact tip	1 (2 per pkg)
4	169729	Adapter, nozzle	1 (2 per pkg)
5	170468	O-Ring	1 (10 per pkg)
6	169730	Washer, shock	1
7	169731	Tube, head	1
8	169738	Nut, locking handle	2
9	169732	Nut, jam	1
10	169737	Handle, front	1
11	2520044	Handle, rear	1
12	227800	Cord, trigger assembly	1
13	209495	Connector, feeder (includes)	1
14	079974	O-Ring, .500 ID x .103CS rbr	2
15	194010	Kit, liner monocoil	1
		.023 – .025 (0.6 mm) wire x 15 ft (includes)	
15	194011	Kit, liner monocoil	1
		.030 – .035 (0.8 – 0.9 mm) wire x 15 ft (includes)	
15	194012	Kit, liner monocoil	1
		.035 – .045 (0.9 – 1.2 mm) wire x 15 ft (includes)	
15	194014	Kit, liner monocoil	1
		3/64 (1.19 mm) aluminum wire x 15 ft (includes)	
16	079975	O-Ring, .187 ID x .103CS rbr	1
17	196255	Switch, trigger	1
18	2520033	Cable strain relief 2 & 3	1
19	7000015	Screw	1
20	169746	Terminal	1

<sup>1</sup>Included with 172136 Kit, Aluminum Conversion .047 in (1.2 mm)

<sup>2</sup>Standard on all guns

<sup>3</sup>194805 is an M-25 gun with friction lugs for the Hobart Beta-MIG 2510. See page 15 for consumables kits



M-25 Gun

### M-25 to AccuLock™ Nozzles and Contact Tips Conversion Kits

The following AccuLock™ conversion kits are available to streamline the MIG gun consumables inventory needed to support a mixed fleet of legacy M-Series and MDX MIG guns.

- 1880270 – M-25 to AccuLock MDX nozzles and contact tips, .030" (0.8 mm), .035" (0.9 mm) and .045" (1.2 mm) Wire
- 1880271 – M-25 to AccuLock S nozzles and contact tips, .035" (0.9 mm) and .045" (1.2 mm) Wire

The 1880270 conversion kit contains 1 conversion gas diffuser, 15 contact tips, 1 nozzle and 1 insulator cap.

The 1880271 conversion kit contains 1 conversion gas diffuser, 10 contact tips, 1 nozzle and 1 insulator cap.

**IMPORTANT:** Only the AccuLock diffuser, AccuLock nozzles and AccuLock contact tips can be upgraded on legacy M-Series guns. Customers must continue to use the original liners and power pins.

## M-80/M-100/M-150 Service Parts/Consumables

Item #	Part #	Description	Quantity	
			M-100	M-150
	248282	M-100 Gun, 10 ft (3 m), 100A, .030-.035 (0.8-0.9 mm)		
	249039	M-150 Gun, 10 ft (3 m), 150A, .030-.035 (0.8-0.9 mm)		
	249040	M-150 Gun, 12 ft (3.7 m), 150A, .030-.035 (0.8-0.9 mm)		
	249041	M-150 Gun, 15 ft (4.6 m), 150A, .030-.035 (0.8-0.9 mm)		
1	246372	Nozzle, slip type, .500 (12.7 mm) orf flush copper, 169715 brass (optional)	1	1 (2 per pkg)
	226190	Nozzle, slip type, flux cored	1	1
2	087299	Tip, contact scr, .023 (0.6 mm) wire x 1.125	1	1 (10 per pkg)
	000067	Tip, contact scr, .030 (0.8 mm) wire x 1.125	1	1 (10 per pkg)
	000068	Tip, contact scr, .035 (0.9 mm) wire x 1.125	1	1 (10 per pkg)
	000069	Tip, contact scr, .045 (1.2 mm) wire x 1.125	1	1 (10 per pkg)
3	170470	Ring, retaining	1	1
4	169716	Adapter, contact tip	1	1 (2 per pkg)
5	246373	Tube, head	1	1
6	243865	Nut, jam	2	2
7	246082	Handle	1	1
8	246376	Switch, Blue trigger	1	1
9	079878	Housing Plug and Pins	1	1
10	242833	Connector, feeder	1	1
11	079974	O-Ring, .500 ID x .103CS rbr	2	2
12	194010	Kit, liner monocoil, .023/.025 (0.6 mm) wire x 15 ft (includes)	1	1
	194011	Kit, liner monocoil, .030-.035 (0.8-0.9 mm) wire x 15 ft (includes)	1	1
	194012	Kit, liner monocoil, .035-.045 (0.9-1.2 mm) wire x 15 ft (includes)	1	1
13	079975	O-Ring, .187 ID x .103CS rbr	1	1
14	246380	Housing, power pin	1	1

<sup>2</sup>220606 is an M-100 gun with friction terminals for the Miller® Cricket®

<sup>4</sup>273618 is an M-80 gun for the Millermatic® 125 Hobby.

### M-80, M-100 and M-150 to AccuLock™ Nozzles and Contact Tips Conversion Kits

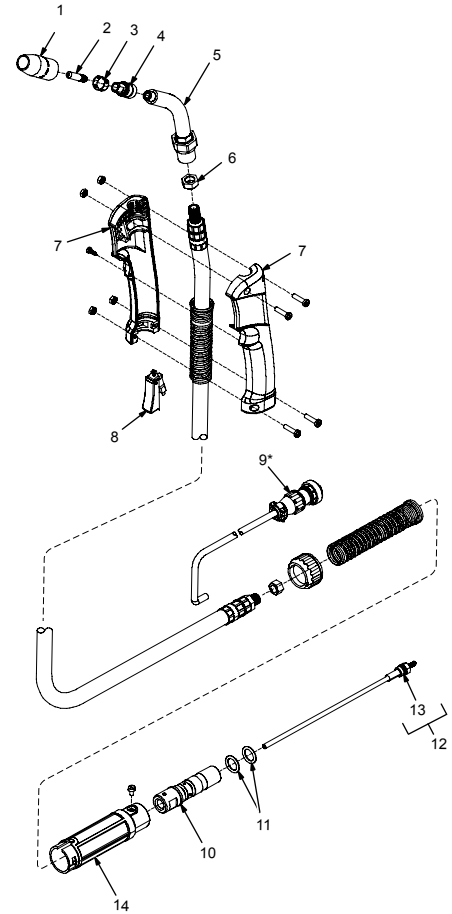
The following AccuLock™ conversion kits are available to streamline the MIG gun consumables inventory needed to support a mixed fleet of legacy M-Series and MDX MIG guns.

- 1880269 – M-100/M-150 to AccuLock MDX nozzles and tips, .030" (0.8 mm) and .035" (0.9 mm) Wire

The above conversion kit contains 1 conversion gas diffuser, 10 contact tips and 1 nozzle.

**IMPORTANT:** Only the AccuLock diffuser, AccuLock nozzles and AccuLock contact tips can be upgraded on legacy M-Series guns. Customers must continue to use the original liners and power pins.

See page 15 for consumables kits



\*not available on the M-80 model



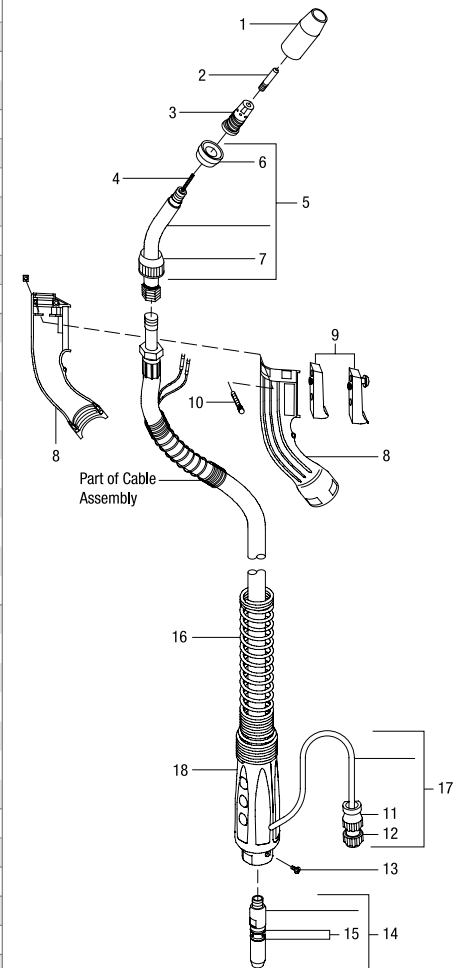
### Aluminum Adapter Kit 202895

Steel wrapped nylon liner allows 10 ft Roughneck welding guns to feed 3/64–1/16 in (1.2–1.6 mm) aluminum wire.

Roughneck MIG Gun Replacement			
Stock No.	Model No.	Length	Replaced by Bernard® BTB MIG Guns
194751	C-3010	10 ft (3m)	Q3010TE5EMC
194752	C-3012	12 ft (3.7m)	Q3015TE5EMC
194753	C-3015	15 ft (4.6m)	Q3015TE5EMC
194754	C-4010	10 ft (3m)	Q4010TE5EMC
194755	C-4012	12 ft (3.7m)	Q4015TE5EMC
194756	C-4015	15 ft (4.6m)	Q4015TE5EMC
194757	C-5010	10 ft (3m)	S5015GH5IMC
194758	C-5012	12 ft (3.7m)	S5012GH5IMC
194759	C-5015	15 ft (4.6m)	S5015GH5IMC

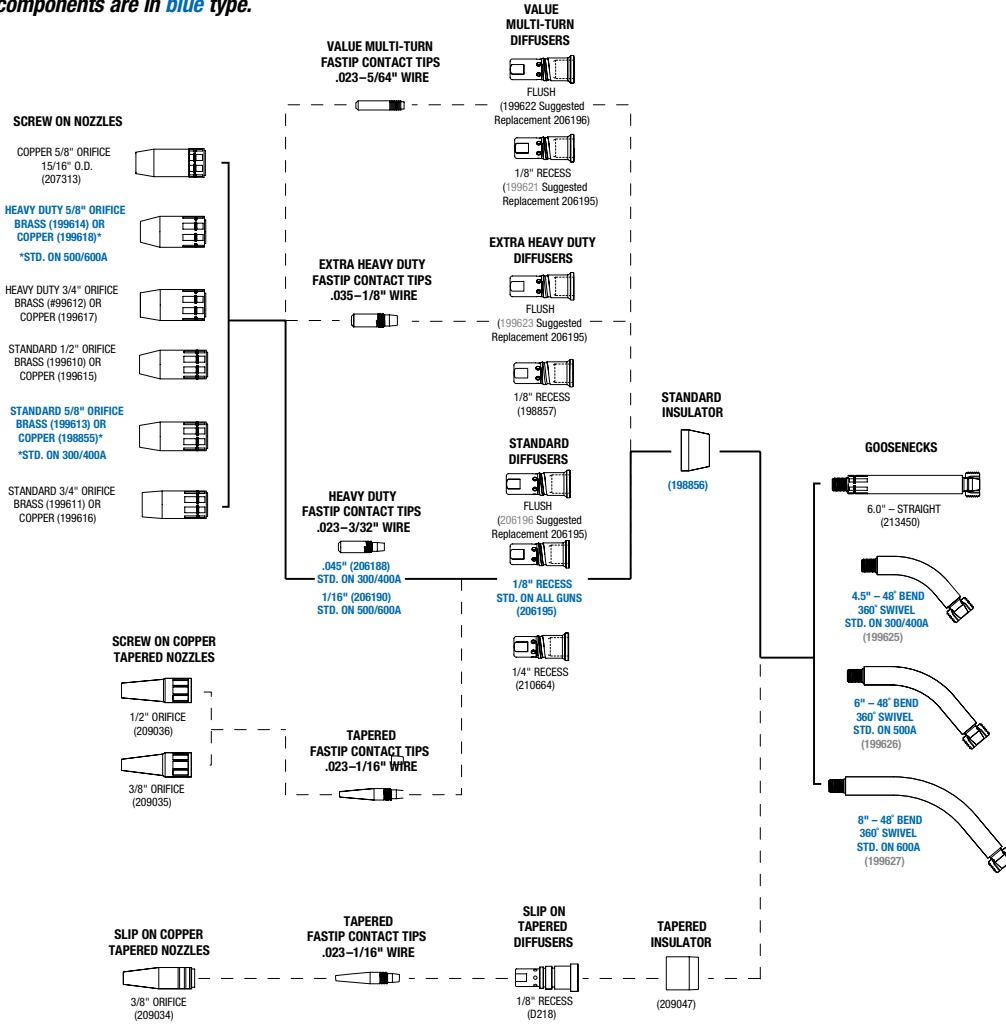
## Roughneck® C-Series Service Parts/Consumables

Item #	Part #	Description	Quantity
1	198855	Nozzle, scr type copper 5/8 in orifice	1
	199618	Nozzle, scr type copper 5/8 in orifice heavy-duty	1
2	223018	Tip, contact, .045 in (1.2 mm) heavy-duty FasTip™	1 (10 per pkg)
	206188	Tip, contact, .045 in (1.2 mm) heavy-duty FasTip™	1 (25 per pkg)
	223200	Tip, contact, 1/16 in (1.6 mm) heavy-duty FasTip™	1 (10 per pkg)
	206190	Tip, contact, 1/16 in (1.6 mm) heavy-duty FasTip™	1 (25 per pkg)
3	206195	Diffuser, gas 1/8 in tip recess – for standard and heavy-duty FasTip™	1
4	202889	Liner, monocoil .023–.030 wire x 15 ft round wound	1
	202890	Liner, monocoil .035–.045 wire x 15 ft round wound	1
	202891	Liner, monocoil .052–1/16 wire x 15 ft round wound	1
	202892	Liner, monocoil 1/16–.078 wire x 15 ft flat wound	1
	202893	Liner, monocoil 5/64–3/32 wire x 15 ft flat wound	1
	202894	Liner, monocoil 7/64–1/8 wire x 15 ft flat wound	1
	202895	Liner, monocoil 3/64–1/16 wire x 15 ft aluminum wires	1
	5	199625	Gooseneck, jacketed 4.5 in/50° wrench swivel (C-30 / C-40) (includes)
199626		Gooseneck, jacketed 6 in/50° wrench swivel (C-50) (includes)	1
199627		Gooseneck, jacketed 8 in/50° wrench swivel (C-60) (includes)	1
213450		Gooseneck, jacketed 6 in/straight (optional for C-30 / C-40 / C-50 / C-60) (includes)	1
6	198856	Insulator, rubber	1
7	202292	Cover, nut	1
8	199630 (N/A)	Handle, small pair flared P style (C-30 / C-40 includes)	1
	199631 (N/A)	Handle, large pair (C-50 / C-60 includes)	1
	199634 (N/A)	Screw, M3 x 11 (for 199630 C-30 / C-40 Handle only)	1
	199635	Nut, M3 Hex (for 199630 C-30 / C-40 Handle only)	1
	199632	Screw, M4 x 18	4
	199633	Nut, M4 square	4
	199647 (N/A)	Label, gun handle Miller® Roughneck	2
9	177488H	Switch, blue trigger	1
	MS2110 (N/A)	Switch, locking trigger (optional)	1
10	199629	Switch, contact pin	2
11	079531	Conn, circ cpc clamp str rlf size 11.453 OD	1
12	079878	Housing plug + pins (service kit)	1
13	199637	Screw, machine binding head	1
14	199640 (N/A)	Adapter, Miller® power pin (includes)	1
15	079974	O-ring, Miller® power pin	2
16	2520033	Cable Strain Relief 2 & 3 (300 Amp)	1
	2520041 (N/A)	Strain Relief Assembly – Contact Bernard (400, 500, 600 Amp)	
17	GN2021	Electrical Plug – Non D/S (Includes items 11 & 12)	1
18	227650	Strain Relief, Rear (works on all Amp guns)	1



## Roughneck® Consumables

Note: Standard gun components are in blue type.



## Roughneck® Contact Tips

(10 p/pkg)	(25 p/pkg)	Description	(10 p/pkg)	(25 p/pkg)	Description
<b>Heavy-Duty FasTip™</b>			<b>Tapered FasTip™</b>		
—	206184	.023 in (0.6 mm)	—	209024	.023 in (0.6 mm)
—	206185	.030 in (0.8 mm)	—	209025	.030 in (0.8 mm)
223016	206186	.035 in (0.9 mm)	—	209026	.035 in (0.9 mm)
223017	206187	.040 in (1.0 mm)	—	209027	.045 in (1.2 mm)
223018 <sup>1</sup>	206188 <sup>1</sup>	.045 in (1.2 mm)	—	209028	3/64 in (1.2 mm)
223019	206189	.052 in (1.3 mm) or 3/64 in (1.2 mm) alum wire	—	209029	.052 in (1.3 mm)
223200 <sup>2</sup>	206190 <sup>2</sup>	1/16 in (1.6 mm)	—	209030	1/16 in (1.6 mm)
—	206191	.068 in (1.7 mm)	<b>Value Multi-Turn</b>		
—	206192	5/64 in (2.0 mm)	—	087300	.023 in (0.6 mm) - N/A
—	206193	3/32 in (2.4 mm)	—	071825	.030 in (0.8 mm)
<b>Extra Heavy-Duty FasTip™</b>			—	054202	.035 in (0.9 mm)
—	199605	.035 in (0.9 mm)	—	054201	.045 in (1.2 mm)
—	199606	.040 in (1.0 mm)	—	199593	3/64 in (1.2 mm) alum wire
—	198851	.045 in (1.2 mm)	—	047566	1/16 in (1.6 mm)
—	198852 (206189)	.052 in (1.3 mm) or 3/64 in (1.2 mm) alum wire	—	199594	.068 in (1.8 mm)
—	198853 (T-062)	1/16 in (1.6 mm)	<i>Optional For all gun lengths</i>		
—	198854	.068 in (1.7 mm)			
—	199609	7/64 - 1/8 in (2.8 mm)			



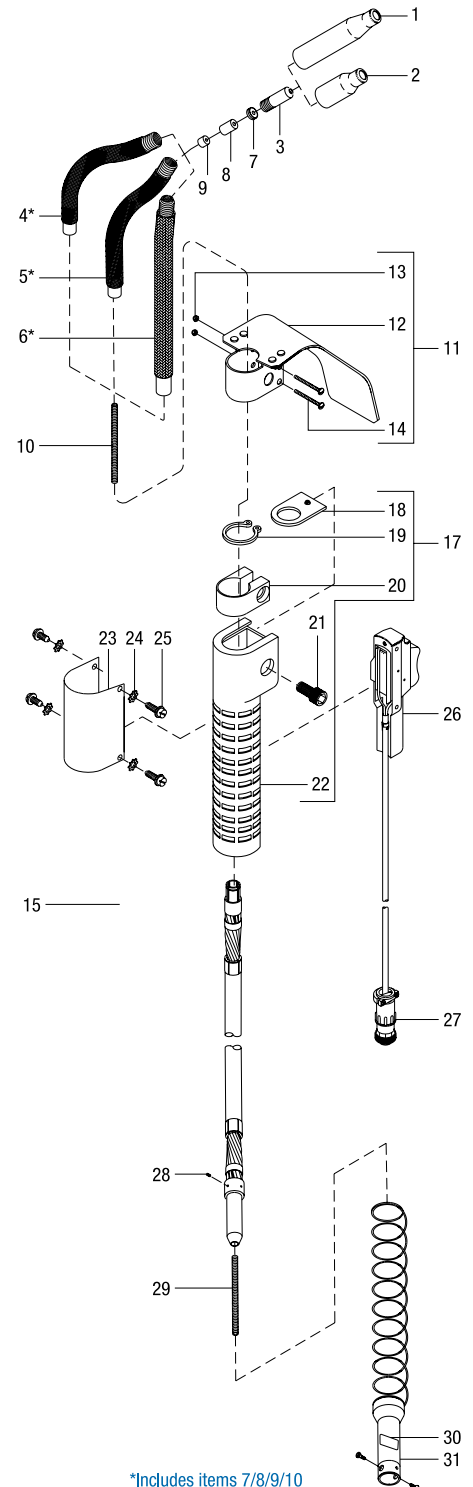


## Ironmate™

### FC-1150 Service Parts/Consumables

Item #	Part #	Description	Quantity
	<b>194683</b>	FC-1150 Gun, 15 ft (3/32-1/8 in. wire)	1
1	<b>201262</b>	Nozzle, insulated 2-3/4 in stickout	1
2	<b>201261</b>	Nozzle, insulated 2 in stickout	1
3	<b>201256</b>	Tip, contact 3/32 in	1 (25 per pkg)
	<b>201257</b>	Tip, contact 7/64 in	1 (25 per pkg)
	<b>201258</b>	Tip, contact .120 in	1 (25 per pkg)
	<b>201259</b>	Tip, contact 1/8 in	1 (25 per pkg)
4	<b>201250<sup>1</sup></b>	Gooseneck, 82° bend (includes)	1
4	<b>201251<sup>1</sup></b>	Gooseneck, 82° bend, aluminum jacketed (includes)	1
5	<b>201247</b>	Gooseneck, 25° bend (includes)	1
5	<b>201248<sup>1</sup></b>	Gooseneck, 45° bend, (includes)	1
5	<b>201249<sup>1</sup></b>	Gooseneck, 45° bend, aluminum jacketed (includes)	1
6	<b>201252<sup>1</sup></b>	Gooseneck, straight 5° bend, (includes)	1
7	<b>201253</b>	Liner, locking screw 3/8 in – 16	1
8	<b>201254</b>	Insert, steel	1
9	<b>201255</b>	Insert, ceramic	1
10	<b>201260</b>	Liner, gooseneck replacement (short, for 6 in goose)	1
11	<b>201245</b>	Shield Kit, heat (consists of)	1
12	—	Shield, heat (not available separately)	1
13	<b>198681</b>	Nut, 008-32 .34 hex .23h stl pld elastic stop nut	2
14	<b>135646</b>	Screw, 008-32 x 1.50 rd hd-phl stl pld	2
15	<b>224083</b>	Housing Kit with Hardware — less switch	1
16	<b>224083</b>	Housing assembly, trigger	1
17	<b>194714 (N/A)</b>	Handle Kit, assembly (consists of)	1
18	<b>198821</b>	Shield, spatter	1
19	<b>081664</b>	Ring, rtng ext .625 shaft grv x .042 thk e style	1
20	<b>198820</b>	Clamp	1
21	<b>133774</b>	Screw, cap stl sch .250-20 x .625 pld	1
22	<b>198819 (213229)</b>	Handle	1
	<b>000369</b>	Switch, limit 10 amp, 125/250 VAC	1
23	<b>198743 (N/A)</b>	Clamp, switch housing	1
24	<b>602202</b>	Washer, tooth .168 id x .340 od x .023 t stl pld	4
25	<b>070001</b>	Screw, 008-32 x .25 hexwhd-pln stl pld	4
26	<b>194713</b>	Switch Kit, assembly 15 ft (consists of)	1
26	<b>195735</b>	Switch Kit, assembly 10 ft (consists of)	1
27	<b>079878</b>	Housing Plug and Pins (service kit)	1
28	<b>198894 (N/A)</b>	Screw, set #8-32 x .312 — liner locking	1
29	<b>201246</b>	Kit, replacement standard liner 15 ft (includes)	1
30	<b>201276 (N/A)</b>	Label, FC-1150 gun, 10 ft	1
30	<b>201277 (N/A)</b>	Label, FC-1150 gun, 15 ft	1
31	<b>195733</b>	Kit, insulator sleeve with spring and screws	1

<sup>1</sup>Optional

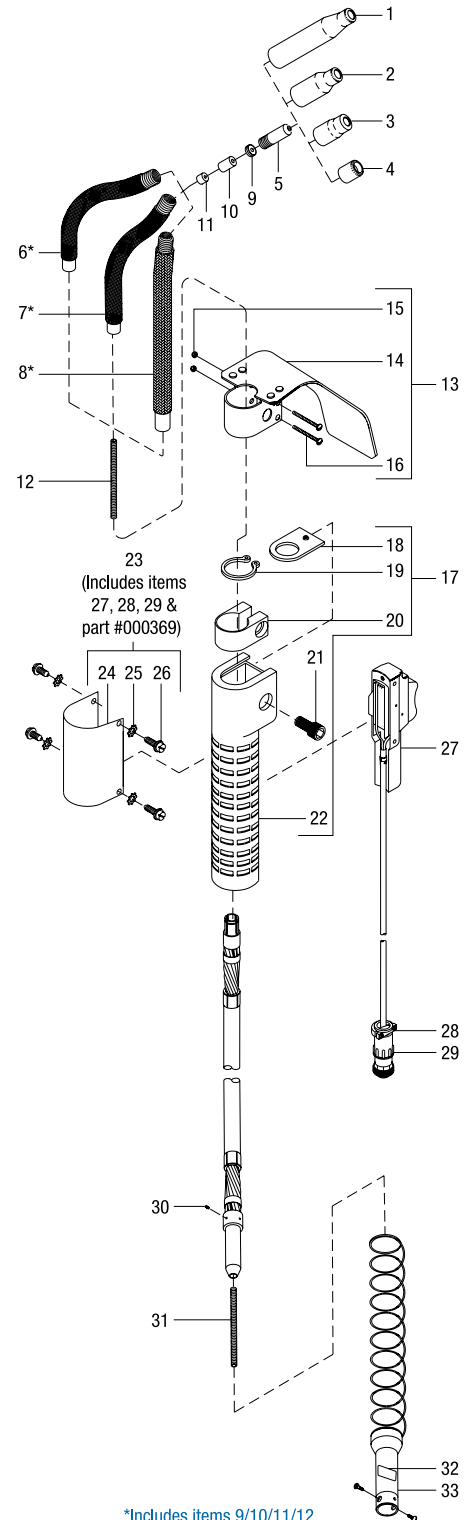


\*Includes items 7/8/9/10

**Ironmate FC-1150 Gun**

## Ironmate™ FC-1260 and FC-1260LM Service Parts/Consumables

Item #	Part #	Description	Quantity
	237410	FC-1260 Gasless Gun, 10.5 ft (.045-.3/32 90 deg)	1
	213439	FC-1260LM Gasless Gun, 15 ft (.045-.3/32 90 deg)	1
1	198803	Nozzle, insulated 2-3/4 in stickout	1
2	198802	Nozzle, insulated 2 in stickout	1
3	198801	Nozzle, insulated	1
4	198800	Protector, thread	1 (5 per pkg)
5	198784	Tip, contact .045 (1.2 mm)	1 (25 per pkg)
	198785	Tip, contact 1/16 (1.6 mm)	1 (25 per pkg)
	198786	Tip, contact .068-.072 (1.7-1.8 mm)	1 (25 per pkg)
	198788	Tip, contact 5/64 (2.0 mm)	1 (25 per pkg)
	198790	Tip, contact 3/32 (2.4 mm)	1 (25 per pkg)
6	198794	Gooseneck, 6 in, 50° bend (includes)	1
	199332	Gooseneck, 6 in, 50° bend, aluminum jacketed (includes)	1
	198795	Gooseneck, 12 in, 50° bend (includes)	1
	199333	Gooseneck, 12 in, 50° bend, aluminum jacketed (includes)	1
	198798 (198794)	Gooseneck, 6 in, 90° bend (includes)	1
	199334	Gooseneck, 6 in, 90° bend, aluminum jacketed (includes)	1
7	198796 (198794)	Gooseneck, 6 in, 30° bend (includes)	1
	199335	Gooseneck, 6 in, 30° bend, aluminum jacketed (includes)	1
	198797	Gooseneck, 12 in, 30° bend (includes)	1
	199336	Gooseneck, 12 in, 30° bend, aluminum jacketed (includes)	1
	198799	Gooseneck, 8 in straight with 5° bend (includes)	1
9	198752	Liner, locking screw 5/16 in-18	1
10	198758	Insert, steel	1
11	198806	Insert, ceramic	1
12	198791	Liner, gooseneck replacement (short, for 6 in goose)	1
	198792	Liner, gooseneck replacement (med, for 8 in goose)	1
	198793	Liner, gooseneck replacement (long, for 12 in goose)	1
13	194712	Shield Kit, heat (consists of)	1
14	—	Shield, heat (not available separately)	1
15	198681	Nut, 008-32 .34 hex .23h stl pld elastic stop nut	2
16	135646	Screw, 008-32 x 1.50 rnd hd-phl stl pld	2
17	194714	Handle Kit, assembly (consists of)	1
18	198821	Shield, spatter	1
19	081664	Ring, rng ext .625 shaft grv x .042 thk e style	1
20	198820	Clamp	1
21	133774	Screw, cap stl sch .250-20 x .625 pld	1
22	198819 (213229)	Handle	1
23	194713	Switch Kit, assembly 15 ft (consists of)	1
	195735	Switch Kit, assembly 10 ft (consists of)	1
24	198743 (N/A)	Clamp, switch housing	1
25	602202	Washer, tooth .168 id x .340 od x .023 t stl pld	4
26	070001	Screw, 008-32 x .25 hexwhd-pln stl pld	4
27	224083	Aluminum Housing Kit with Hardware — less switch	1
28	079531	Conn, circ cpc clamp str rlf size 11 .453 od	1
29	079878	Housing Plug and Pins (service kit)	1
	000369	Switch, limit 10 amp, 125/250 VAC	1
30	198894 (N/A)	Screw, set #8-32 x .312 — liner locking	1
31	195731	Kit, replacement standard liner 15 ft (includes)	1
31	199178	Kit, .045 conversion monocoil liner 15 ft (includes)	1
	166575	Wrench, hex .078 across flat	1
32	198759 (N/A)	Label, FC-1260 gun, 10 ft	1
	198767 (N/A)	Label, FC-1260 gun, 15 ft	1
33	195733	Kit, insulator sleeve with spring	1
	202295	Insulator, phenolic (FC-1260LM only)	1
	202294	Adapter, Miller® feeder (FC-1260LM only)	1
	202692	Adapter, Miller® to Lincoln trigger leads (FC-1260LM only)	1



\*Includes items 9/10/11/12

Ironmate FC-1260 Gun

<sup>1</sup>Standard  
<sup>2</sup>Use .045 in Conversion Kit  
<sup>3</sup>Items recessed in Gooseneck

**Note: Each Gooseneck includes locking screw liner, inserts, and appropriate gooseneck liner.**



# Millermatic Service Parts

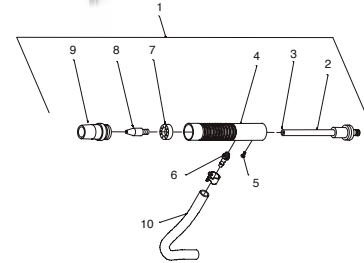
Model	Serial # Effective	On/Off Switch #	Contact #	Gas Valve #	Wire Speed Pot/Rheostat #	Wire Speed Knob #	Fan Motor #	Fan Blade #	Drive Motor #	CR-1 Relay #	Range Switch #
Challenger™	KG171523	116830	252676	218422	—	097922	495429	005656	173446	—	—
Challenger™ 172	KH511668	116830	252676	218422	See Manual	097922	495429	005656	186212	006393	250658
MM 90/130	KB102926	111997 (115 V)	252676	218421	—	097922	111931	005656	173446	006393	—
		116830 (230 V)									
MM 120/150	KB100704	116830	252676	218422	072623	097922	495429	005656	090087	072817	—
MM 130 XP	KH418495	111997	252676	218421	186207	097922	495428	005656	186212	See Manual	250658
MM 135	LB204281	196575	—	218421	See Manual	171007	196063	409953-001	202708	—	202663
MM 140/ 140 with Auto-Set™	LG320643	196575	—	218421	207415	171007	196063	409953-001	202708	—	202663
MM 175	LB204053	196574	—	218422	See Manual	207078	196064	409953-001	202708	—	202663
MM 180	LG320643	196574	—	218422	207415	207078	196064	409953-001	202708	—	202663
MM 185	KG171523	124511	See Manual	222837	035897	171007	123468	005656	See Manual	072817	153197
MM 200	HK240615	See Manual	See Manual	See Manual	030943	171007	—	—	—	See Manual	—
MM 210	LC218652	124511	196600	See Manual	See Manual	See Manual	188706	148809	202888	—	192373
MM 211	LJ330001N	196575	—	232516	207415	207078	See Manual	See Manual	202708	—	202663
MM 212	LH131786B	124511	196600	246753	228104	207077	188706	148809	233009	—	—
MM 212 w/Auto-Set™	LJ180754B	124511	—	246753	—	238122	188706	148809	233009	—	—
MM 250	KB054828	250006	—	222837	035897	171007	148808	148809	See Manual	006393	035897
MM 250MP	KB054828	250006	—	222837	—	—	148808	148809	See Manual	006393	—
MM 250X w/o meters	KJ081597	250006	—	222837	035897	171007	188706	148809	227117	006393	035897
MM 250X w/ meters	KK227730	250006	—	222837	See Manual	171007	188706	148809	227117	006393	See Manual
MM 251	LB170597	250006	—	See Manual	See Manual	See Manual	188706	148809	227117	052964	See Manual
MM 252	LG290851B	250006	—	246753	—	218764	188706	148809	225341	—	—
MM 300 w/o meters	KH457123	244920	—	222837	035897	171007	148808	148809	227117	—	035897
MM 300 w/meters	KK310628	244920	—	222837	035897	171007	148808	148809	227117	—	035897
MM 350/350P	LC447907	See Manual	248620	See Manual	—	—	225166	—	223541	106462	—
MM DVI™	LE204883	219552	196600	216396	198087	207077	188706	148809	202888	072817	153197
MM DVI-2™	LH021271B	219552	196600	246753	198087	207077	188706	148809	230496	—	192373
MM Passport	LE444123	—	—	220011	—	174992	234728	—	202708	—	—
MM Passport Plus	LH380053N	—	—	220011	—	174992	234728	—	202708	—	—
MM Pulser	LA259996	250006	196600	218494	035897	171007	188706	148809	227117	—	192373
MM Reach	LK220947N	—	—	—	—	238873	—	—	223541	—	—
Vintage	KF806591	250006	See Manual	218421	035897	171007	See Manual	See Manual	See Manual	080388	153197

## Spoolmate™ 100 Series

Item #	Part #	Description	Quantity
1	186404	Gun Tube Assembly (Includes)	1
2	234348	Head Tube Assembly	1
3	206363	Liner Kit	1
4	194633 (186404)	Barrel	1
5	209080	Screw, M4 x 0.7 x 6 mm	1
6	186408	Gas Nipple	1
7	186409	Gas Diffuser	1
8	186406	Contact Tip .035	1
8	186419	Contact Tip .030	1
8	199730	Contact Tip .023	1
9	186405	Nozzle	1
10	111400	Hose, SAE .187 ID x .410 OD x 8.000	1

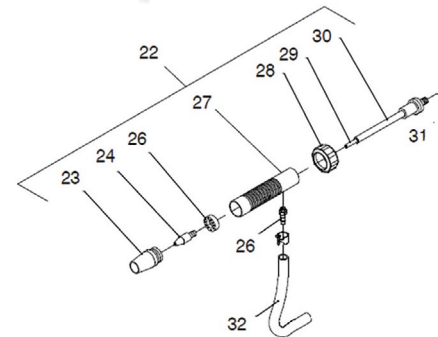


**Spoolmate 100  
Spool Gun**



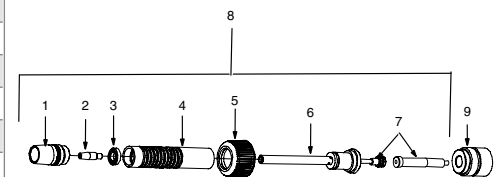
## Spoolmate™ 150 Series

Item #	Part #	Description	Quantity
22	199385	Gun Tube Assembly (Includes)	1
23	050622	Nozzle	1
24	199387	Contact Tip .030	1
24	199388	Contact Tip .035	1
24	199389	Contact Tip .047	1
25	199391	Gas Nipple	1
26	199390	Gas Diffuser	1
27	199393 (199385)	Barrel	1
28	196847	Lock Nut	1
29	206363	Liner Kit	1
30	199394 (199385)	Head Tube Assembly	1
31	196398	Buss Bar, Interconnecting	1
	1114000	Hose, SAE .187 ID x .410 OD x 8.000	



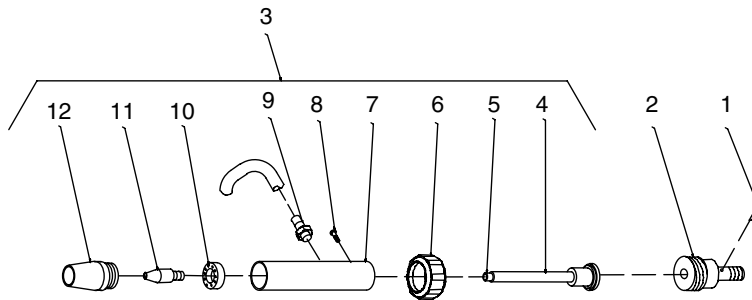
## Spoolmate™ 200 Series

Item #	Part #	Description	Quantity
1	186405	Nozzle, Scr Type .562 Orif x 1.437 Lg	1
2	199388	Heavy Duty Tip, .035 M5 x .8 mm Thread	1
2	199387	Heavy Duty Tip, .030 M5 x .8 mm Thread	1
2	199730	Heavy Duty Tip, .023 M5 x .8 mm Thread	1
3	199390	Gas Diffuser	1
4	243294	Barrel	1
4	300592	9" Barrel	1
4	300591	Curved Barrel	1
5	243383	Locking Nut	1
6	244880	Head Tube Assembly	1
7	247351	Kit, Liner w/ Outlet Guide	1
8	243385	Gun Tube Assembly	1
9	243390	Contact Adapter	1

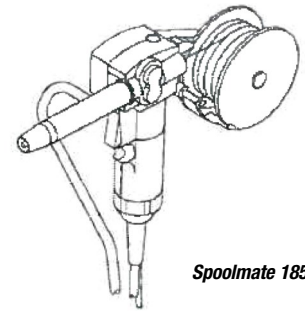


# Spoolmate™ 185 & 3035 Series

Item #	Part #	Description	Quantity
1	197570	Anti-Rotation Pin	1
2	196848	Contact Adapter	1
3	196827	Gun Tube Assembly (Includes)	1
4	196849	Head Tube Assembly	1
5	206363	Liner Kit	1
6	196847	Locking Nut	1
7	194633 (186404)	Barrel	1
8	209080	Screw, M4 x 0.7 x 6 mm	1
9	186408	Gas Nipple	1
10	186409	Gas Diffuser	1
11	186419	Contact Tip .030	1
11	186406	Contact Tip .035	1
11	199730	Contact Tip .023	1
12	186405	Nozzle	1



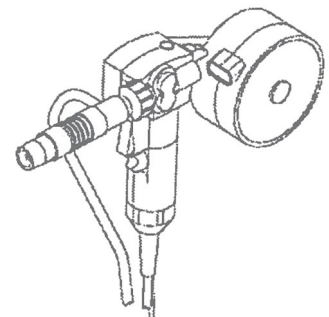
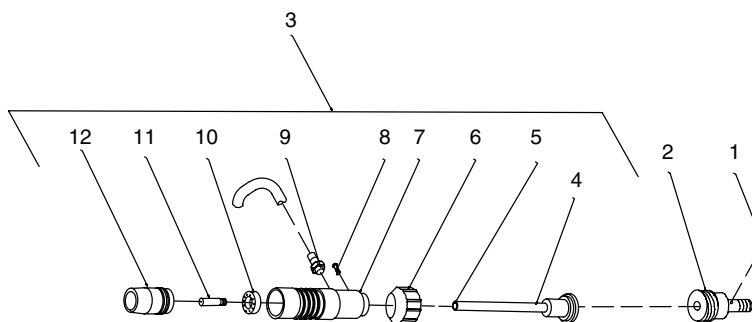
Spoolmate 3035 Spool Gun



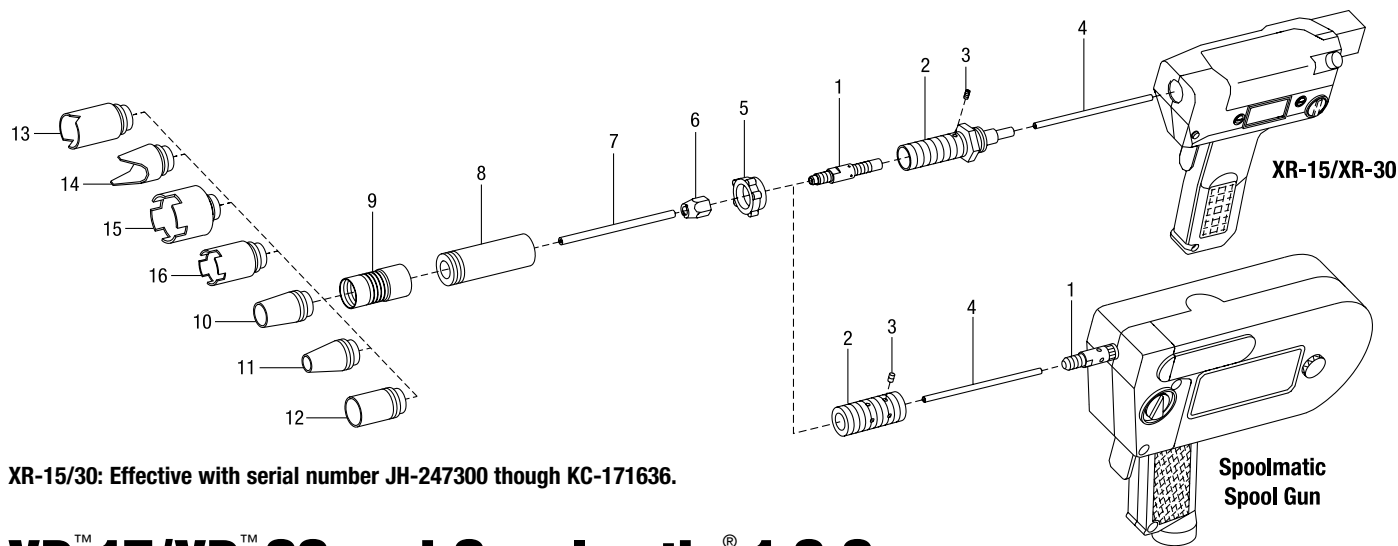
Spoolmate 185 Spool Gun

# Spoolmate™ 250 Series

Item #	Part #	Description	Quantity
1	197570	Anti-Rotation Pin	1
2	196848	Contact Adapter	1
3	199385	Gun Tube Assembly (consisting of)	1
4	199394 (199385)	Head Tube Assembly	1
5	206363	Liner Kit	1
6	196847	Locking Nut	1
7	199393 (199385)	Barrel	1
8	209080	Screw, M5 x 0.7 x 6 mm	1
9	199391	Gas Nipple	1
10	199390	Gas Diffuser	1
11	199387	Contact Tip .030	1
11	199388	Contact Tip .035	1
11	199389	Contact Tip .047	1
12	050622	Nozzle	1



# Spool Guns



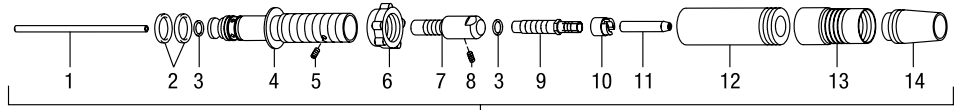
XR-15/30: Effective with serial number JH-247300 through KC-171636.

## XR-15™/XR-30™ and Spoolmatic® 1,2,3

Item #	Part # XR-15/30	Part # Spoolmatic 1,2,3	Description	Quantity
1	112704	058678	Adapter, contact tube	1
2	112885 (N/A)	009541 (N/A)	Adapter, barrel	1
3	602172 (N/A)	—	Screw, set stl sch 10-32 x .187 cup point	1
	—	604771	Screw, set stl sch 10-32 x .125 cup point	4
4	112708	—	Liner, teflon .030-.035 (0.8-0.9 mm) wire x 4.125	3
	112707	—	Liner, teflon .047-1/16 (1.2-1.6 mm) wire x 4.125	1
	—	058681	Liner, teflon .030-.035 (0.8-0.9 mm) wire x 5.187	3
	—	058682	Liner, teflon .047-1/16 (1.2-1.6 mm) wire x 5.187	3
5	058685	058685	Nut, jam nozzle extension	1
6	058676	058676	Nut, brs cprsn .438-20	1
7	050638	050638	Tube, cont sl .030 (0.8 mm) wire x 4.000	1 (5 per pkg)
	094259	094259	Tube, cont sl .035 (0.9 mm) wire x 4.000	1 (5 per pkg)
	094260	094260	Tube, cont sl .047 (1.2 mm) wire x 4.000	1 (5 per pkg)
	050637	050637	Tube, cont sl 1/16 (1.6 mm) wire x 4.000	1 (5 per pkg)
8	156821	156821	Extension, barrel 2.875 lg	1
9	144862	144862	Extension, nozzle	1
10	050622	050622	Nozzle, 5/8 orf (15.9 mm) x 1-5/8 lg	1 (2 per pkg)
11	050115	050115	Nozzle, 1/2 orf (12.7 mm) x 1-5/8 lg	1 (2 per pkg)
12	050116	050116	Nozzle, 13/16 (20.6 mm) orf x 1-5/8 lg	1 (2 per pkg)
13	009925 (N/A)	009925 (N/A)	Nozzle, spot outside corner .937 ID x 2.375	1
14	000443 (N/A)	000443 (N/A)	Nozzle, spot inside corner	1
15	004466 (N/A)	004466 (N/A)	Nozzle, spot flat, 1-3/8 orf (35 mm)	1
16	000442 (N/A)	000442 (N/A)	Nozzle, spot flat, 15/16 orf (24 mm)	1
	050960 (N/A)	050960 (N/A)	Wrench	1
	053131	053131	Drive Roll, V-knurrl .030-1/16 (0.8-1.6 mm)	1
	194405	—	Complete Conduit Assemblies with Liner and Fittings (replaces 112 715)	15 ft
	194410	—	Complete Conduit Assemblies with Liner and Fittings (replaces 112 716)	30 ft
	191065	—	Replacement Liner, gun feed cable .187 OD x .110 ID	32 ft
	191066	—	Replacement Liner, gun feed cable .187 OD x .110 ID	50 ft
	197440	—	Replacement Liner, bulk gun feed cable .187 OD x .110 ID	500 ft
	191061	—	Replacement Tubing, gun liner carrier	15 ft
	191062	—	Replacement Tubing, gun liner carrier	30 ft
	191063 (N/A)	—	Replacement Tubing, gun liner carrier	50 ft
	156486 (N/A)	—	Conversion Kit, converts XRs with 4" contact tubes to 1-7/16" tubes	1

<sup>1</sup>Updates XRs from one-piece conduit (112715 or 112716) to new style configuration that features replaceable feed cable liners and improved feedability.

Spoolmatic serial numbers  
 KD376404 - LC259177  
 XR prior to serial number LC373469



193142 Barrel Assembly



- |                                |                   |                                   |                   |
|--------------------------------|-------------------|-----------------------------------|-------------------|
| 1. Head Tube Liner             | (See chart below) | 11. Contact Tip                   | (See chart below) |
| 2. O-Ring .614 ID              | <b>134800</b>     | 12. Barrel Extension (Air-cooled) | <b>156821</b>     |
| 3. O-Ring .176 ID              | <b>164485</b>     | 13. Nozzle Extension (Air-cooled) | <b>144862</b>     |
| 4. Barrel Adapter (Air-cooled) | <b>164423</b>     | 14. Nozzle (Standard)             | <b>050622</b>     |
| 5. Set Screw                   | <b>602172</b>     | Wrench (Not shown)                | <b>136821</b>     |
| 6. Jam Nut (Air-cooled)        | <b>058685</b>     | 15. Nozzle Extension (13 mm)      | <b>050115</b>     |
| 7. Head Tube (Air-cooled)      | <b>164422</b>     | 16. Nozzle Extension (21 mm)      | <b>050116</b>     |
| 8. Set Screw (Air-cooled)      | <b>604612</b>     |                                   |                   |
| 9. Contact Tip Adapter         | <b>164421</b>     |                                   |                   |
| 10. Collet Nut                 | <b>136748</b>     |                                   |                   |

## XR™ / XR-M, Spoolmatic® 15/30A Consumables

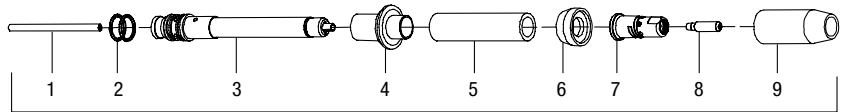
Air-cooled parts breakdown and gun shown. Consult owner's manual for water-cooled parts and consumables.

Wire Diameter	Standard Contact Tip I.D.	Optional (Smaller) Contact Tip I.D.	Gun Head Tube Liner
.030 in (0.8 mm)	.041 in (1.0 mm) <b>135428</b>	.036 in (1.0 mm) <b>135427</b>	<b>136682</b>
.035 in (0.9 mm)	.052 in (1.3 mm) <b>135430</b>	.041 in (1.0 mm) <b>147314</b>	<b>136682</b>
.047 in (1.2 mm)	.061 in (1.5 mm) <b>135424</b>	.052 in (1.0 mm) <b>135429</b>	<b>136683</b>
.062 in (1.6 mm)	.081 in (2.1 mm) <b>135425</b>	.073 in (1.0 mm) <b>135426</b>	<b>136683</b>

For guns between LC259177 and LE239243.

Spoolmatic effective with serial number  
 LE239243

XR effective with serial number LE033395



#231 523 Air-Cooled Assembly Kit (Illustrated above)  
 #231 524 Water-Cooled Assembly Kit (Not shown, consult owner's manual)

- |                                 |               |                      |                   |
|---------------------------------|---------------|----------------------|-------------------|
| 1. Head Tube Liner              | <b>212156</b> | 6. Nozzle Insulator  | <b>232284</b>     |
| 2. O-Ring .614 ID               | <b>134800</b> | 7. Diffuser          | <b>227749</b>     |
| 3. Barrel Assembly (Air-cooled) | <b>221087</b> | 8. Contact Tip       | (See chart below) |
| 4. Barrel Pistol Insulator      | <b>219795</b> | 9. Nozzle (Standard) | <b>199613</b>     |
| 5. Outer Insulating Jacket      | <b>219794</b> |                      |                   |

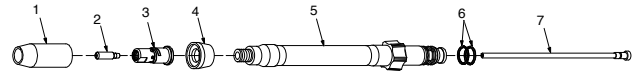
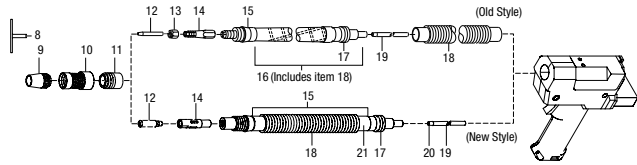
## XR™ / XR-M, Spoolmatic® 15/30A FasTip™

Air-cooled parts breakdown and gun shown. Consult owner's manual for water-cooled parts and consumables.

Wire Diameter Steel / Aluminum	FasTip Contact Tip I.D.	XR-Pistol Drive Rolls	XR-Pistol All-Wire Dual Groove Drive Rolls	Cable Liners
.035 in (0.9 mm) / .030 in (0.8 mm)	.041 in (1.0 mm) <b>206186</b>	<b>183357</b>	<b>136135</b>	<b>191065</b> 15 ft (4.6 m) or
.040 in (1.0 mm) / .035 in (0.9 mm)	.047 in (1.2 mm) <b>206187</b>	<b>183357</b>	<b>136135</b>	30 ft (9.1 m)
.045 in (1.2 mm) / -	.053 in (1.3 mm) <b>206188</b>	<b>183357</b>	<b>136135</b>	<b>191066</b> 50 ft (15.2 m)
.052 in (1.3 mm) / .047 in (1.2 mm)	.061 in (1.5 mm) <b>206189</b>	<b>183358</b>	<b>136135</b>	<b>197440</b> 500 ft (152 m)
.062 in (1.6 mm) / -	.071 in (1.8 mm) <b>206190</b>	<b>183358</b>	<b>136135</b>	

# Spool Guns

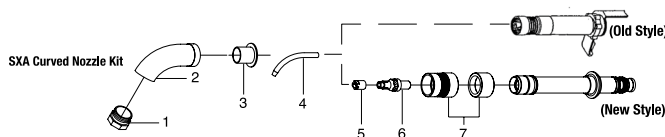
## XR™-A/Spoolmatic® 30A Options



Item #	Part #	Description	Kit Quantity
	<b>273232</b>	Kit, Flex Head 10 in for XR-A Pistol and Spoolmatic Gun	
	<b>267517</b>	Kit, Flex Head, XR Aluma-Pro, Pistol-Pro, Pistol-Plus and Spoolmatic Pistol Pro	
1	<b>198855</b>	Nozzle, Brass	1
2	<b>206187</b>	Tip, Fastip .312 OD .040 And .035AL Wires	3
2	<b>206189</b>	Tip, Fastip .312 OD .052 And 3/64AL Wires	3
3	<b>229670</b>	Diffuser, .281/.312 OD Collar Fastip 1/8 Rec Aluma	1
4	<b>229889</b>	Nut, Head Tube Rotation Water	1
5	<b>M1575</b>	Tube, Body, Head Flexible XR Pistol Guns	1
5	<b>M1516</b>	Tube, Body, Head Flexible AP/PP/SP Guns	1
6	<b>134800</b>	O-Ring, .614 ID X .070 CS 70 Duro Buna-N O-Ring	2
7	<b>M1507</b>	Liner, Teflon .030-.035 Wire AP 1	1
7	<b>M1508</b>	Liner, Teflon .047-.062 Wire AP 1	1
7	<b>M1509</b>	Liner, Teflon .030-.035 Wire PP/SP 1	1
7	<b>M1514</b>	Liner, Teflon .047-.062 Wire PP/SP 1	1
	<b>M1502</b>	Kit, Contact Tips, XR Pistol	
	<b>273237</b>	Instruction, Field Kit 273232	
	<b>267519</b>	Instruction, Field Kit 267519	

Spoolmatic includes liners for AP, PP and SP.

Item #	Part # (Old Style)	Part # (New Style)	Description	Kit Quantity
8	<b>136821</b>	—	Wrench (standard length), nut tip contact	1
9	—	<b>See page 33</b>	Nozzle	1
10	<b>144862</b>	<b>144862</b>	Extension Nozzle	1
11	<b>130632</b>	<b>130632</b>	Insulator, ring	1
12	—	<b>See page 33</b>	Contact Tip	1
13	<b>136748</b>	—	Nut, compression	1
14	<b>136431</b>	—	Adapter, contact tube	1
	—	<b>209875</b>	Diffuser, FasTip slotted	1
15	<b>153667</b>	<b>153667</b>	Clamp, Sst bundle dia 2.00 x .18 wide x 7.90 lg	1 (Old Style) / 2 (New Style)
16	<b>140665</b>	<b>212679 (N/A)</b>	Tube, head flexible (includes)	1
17	<b>134800</b>	<b>134800</b>	O-Ring, .614 ID x .070CS	2
18	<b>131171 (N/A)</b>	<b>131171 (N/A)</b>	Tubing, nrm convoluted 7.100 lg x .740 ID cuffs	1
19	<b>138255</b>	<b>222853</b>	Liner, teflon .030-.035 (0.8-0.9 mm) wire x 11.625 lg, black	1
	<b>132682</b>	<b>1910031</b>	Liner, teflon .047-.062 (1.2-1.6 mm) wire x 11.625 lg, yellow	1
	—	<b>212401</b>	Liner, phos bronze .030-1/16 (0.8-1.6 mm) wire x 11.249	1
20	—	<b>134799</b>	O-Ring, .176 ID x .070CS	1
21	—	<b>212680 (N/A)</b>	Flex torch (inside tubing)	1



New style Spoolmatic effective with serial number LE239243.

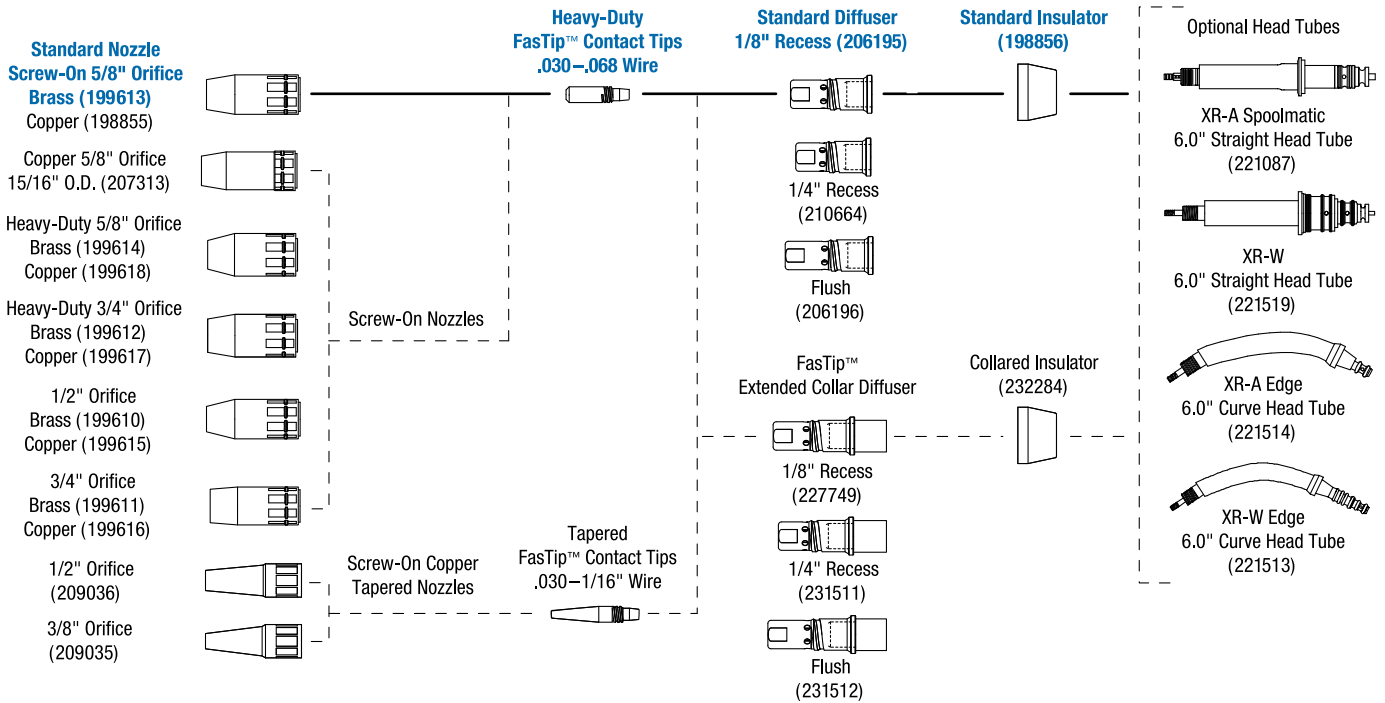
New style XR effective with serial number LE033395.

Item #	Part # (Old Style)	Part # (New Style)	Description	Kit Quantity
	<b>147174</b>	<b>300161</b>	Kit, SXA Curved Nozzle 50 Degree, Machine Sales Item	
1	<b>005417</b>	<b>005417</b>	Nut, retaining ring	1
2	<b>005432</b>	<b>005432</b>	Nozzle, curve with collar	2
3	<b>148158</b>	<b>148158</b>	Insulator, nozzle	2
4	<b>148155</b>	<b>148155</b>	Tip, cont sl .030-.035 (0.8-0.9 mm) wire curved	2
	<b>148154</b>	<b>148154</b>	Tip, cont sl 3/64 (1.19 mm) wire curved	2
	<b>148156</b>	<b>148156</b>	Tip, cont sl 1/16 (1.6 mm) wire curved	2
5	<b>136748</b>	<b>136748</b>	Nut, compression	1
6	<b>185110</b>	<b>185110</b>	Adapter, quick-change contact tip	1
7	—	<b>193794</b>	Kit, nozzle adapter	1
8	<b>148151</b>	<b>148151</b>	Wrench (short length), nut retaining tip contact	1
	—	<b>222462</b>	Kit, 50 degree head tube (air-cooled), Machine Sales Item	1
	—	<b>222464</b>	Kit, 50 degree head tube (water-cooled), Machine Sales Item	1



## New Style XR™ -Edge and XR™ /Spoolmatic® FasTip™ Consumables

*Note: Standard gun components are in blue type.*



## XR-Edge Consumables



Wire Diameter	Standard Contact Tip I.D.	Optional (Smaller) Contact Tip I.D.	Gun Head Tube Liners	Aluminum Feed Cable Liners
.030 in (0.8 mm)	.041 in (1.0 mm) <b>135428</b>	.036 in (0.9 mm) <b>135427</b>	<b>193793</b>	<b>191065</b> 30 ft (9 m)
.035 in (0.9 mm)	.052 in (1.3 mm) <b>135430</b>	.041 in (1.0 mm) <b>147314</b>	<b>193793</b>	<b>191066</b> 50 ft (15.2 m)w
.040 in (1.0 mm)	.052 in (1.3 mm) <b>135430</b>	—	<b>193793</b>	<b>197440</b> 500 ft (152 m)
.047 in (1.2 mm)	.061 in (1.5 mm) <b>135424</b>	.052 in (1.3 mm) <b>135429</b>	<b>193792</b>	
1/2 in (13 mm)		orifice (2 per pkg)	<b>050115</b>	
13/16 in (21 mm)		orifice (2 per pkg)	<b>050116</b>	

## XR-Edge FasTip™ Consumables

Wire Diameter Steel / Aluminum	FasTip Contact Tip I.D.	XR-Edge Drive Rolls	Optional Isolated XR-Edge Drive Rolls	Cable Liners
.035 in (0.9 mm) / .030 in (0.8 mm)	.041 in (1.0 mm) <b>206186</b>	194114	198434 (N/A)	<b>191065</b> 15 ft (4.6 m) or
.040 in (1.0 mm) / .035 in (0.9 mm)	.047 in (1.2 mm) <b>206187</b>	194115	198435	30 ft (9.1 m)
.045 in (1.2 mm) / —	.053 in (1.3 mm) <b>206188</b>	196302 (N/A)	198436 (N/A)	<b>191066</b> 50 ft (15.2 m)
.052 in (1.3 mm) / .047 in (1.2 mm)	.061 in (1.5 mm) <b>206189</b>	194116	198437	<b>197440</b> 500 ft (152 m)
.062 in (1.6 mm) / —	.071 in (1.8 mm) <b>206190</b>	194117	198438 (N/A)	
5/8 in (16 mm) orifice		<b>197728</b>		
13/16 in (21 mm) orifice		<b>050116</b> <sup>1</sup>		

Contact Tips		Description
(10 p/pkg)	(25 p/pkg)	
<b>Heavy-Duty FasTip™</b>		
<b>223016</b>	<b>206186</b>	.030/.035 in (0.8/0.9 mm) aluminum wire
<b>223017</b>	<b>206187</b>	.035/.040 in (0.9/1.0 mm) aluminum wire
<b>223018</b>	<b>206188</b>	.040/.045 in (1.0/1.2 mm) aluminum wire
<b>223019</b>	<b>206189</b>	.052 in (1.3 mm) or 3/64 in (1.2 mm) aluminum wire
<b>223200</b>	<b>206190</b>	1/16 in (1.6 mm)
—	<b>206191</b>	.068 in (1.7 mm) or 1/16 in (1.6 mm) aluminum wire
<b>Tapered FasTip™</b>		
—	<b>209026</b>	.030/.035 in (0.8/0.9 mm) aluminum wire
—	<b>209027</b>	.035/.045 in (0.9/1.2 mm) aluminum wire
—	<b>209028</b>	3/64 in (1.2 mm)
—	<b>209029</b>	.052 in (1.3 mm)
—	<b>209030</b>	1/16 in (1.6 mm)

# Pool Guns

## XR-Aluma-Pro

**231519** Air-Cooled Assembly Kit  
Short Barrel, 4 in (102 mm)

**231518\*** Air-Cooled Assembly Kit  
Long Barrel, 6 in (152 mm)

1. Head Tube Liner	(See chart below)	6. Insulating Jacket, short	<b>227159</b>
2. Head Tube O-Rings	<b>230969</b>	Insulating Jacket, long	<b>229673</b>
3. Lock Nut	<b>227168</b>	7. Gas Diffuser	<b>229670</b>
4. Insulator Ring Rear	<b>227416</b>	8. FasTip™ Contact Tip	(See chart below)
5. Head Tube Short	<b>227158</b>	9. Nozzle (Standard)	<b>198855</b>
Head Tube Long	<b>229672</b>	Flex Head	<b>267517</b>

*Note: For optional consumables see page 43.*

## XR-Aluma-Pro™ Consumables

Air-cooled parts breakdown and gun shown.  
Consult owner's manual for water-cooled parts and consumables.

Wire Diameter Steel / Aluminum	FasTip Contact Tip I.D.	Drive Rolls	Idler Rolls	Inlet Guides	Air-Cooled Head Tube Liner Short Barrel, 4 in (102 mm)	Air/Water Cooled Head Tube Liner Long Barrel, 6 in (152 mm)	Cable Liners
.035 in (0.9 mm) / .030 in (0.8 mm)	.041 in (1.0 mm) <b>206186</b>	<b>227434</b>	<b>227439</b>	<b>227408</b>	<b>227161</b>	<b>229674</b>	<b>229887</b> 15 ft (4.6 m)
.040 in (1.0 mm) / .035 in (0.9 mm)	.047 in (1.2 mm) <b>206187</b>	<b>227434</b>	<b>227439</b>	<b>227408</b>	<b>227161</b>	<b>229674</b>	<b>229891</b> 25 ft (7.6 m)
.045 in (1.2 mm) / -	.053 in (1.3 mm) <b>206188</b>	<b>227434</b>	<b>227439</b>	<b>227408</b>	<b>230239</b>	<b>229431</b>	<b>232321</b> 35 ft (10.6 m)
.052 in (1.3 mm) / .047 in (1.2 mm)	.061 in (1.5 mm) <b>206189</b>	<b>227434</b>	<b>227439</b>	<b>227408</b>	<b>230239</b>	<b>229431</b>	<b>233999</b> Long*
.062 in (1.6 mm) / -	.071 in (1.8 mm) <b>206190</b>	<b>227434</b>	<b>230710</b>	<b>230711</b>	<b>230239</b>	<b>229431</b>	<b>233998</b> Short*

\*Optional phos bronze liners.

## XR-Aluma-Pro Plus

**246301** Air-Cooled Assembly Kit, Long Barrel

1. Head Tube Liner	<b>230242</b>	7. Contact Tip	(See chart below)
2. Head Tube O-Rings	<b>191191</b>	8. Nozzle (Standard)	<b>N-5818C</b>
3. Insulator	<b>227416</b>		
4. Lock Nut	<b>227168</b>		
5. Insulating Jacket, Long	<b>229673</b>		
6. Diffuser	<b>D-1AP</b>		

## XR-Aluma-Pro Plus™ Consumables

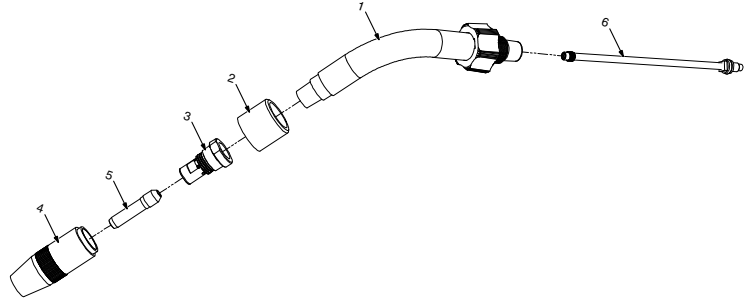
Air-cooled parts breakdown and gun shown.  
Consult owner's manual for water-cooled parts and consumables.

Wire Diameter Steel / Aluminum	Contact Tips (10 pack) Steel / Aluminum	Drive Rolls	Idler Rolls	Air/Water Cooled Head Tube Liner Long Barrel, 6 in (152 mm)	Cable Liners
.035 in (0.9 mm) / .030 in (0.8 mm)	T-035 / -	<b>254756</b>	<b>230708</b>	<b>230235</b>	<b>229887</b> 15 ft (4.6 m)
.040 in (1.0 mm) / .035 in (0.9 mm)	- / T-035AL	<b>254756</b>	<b>230708</b>	<b>230235</b>	<b>229891</b> 25 ft (7.6 m)
.045 in (1.2 mm) / -	T-045 / T-047AL	<b>254756</b>	<b>230708</b>	<b>230242</b>	<b>232321</b> 35 ft (10.6 m)
.052 in (1.3 mm) / .047 in (1.2 mm)	- / -	<b>254756</b>	<b>230708</b>	<b>230242</b>	<b>233999</b> Long*
.062 in (1.6 mm) / -	T-062 / T-062AL	<b>254756</b>	<b>230708</b>	<b>230242</b>	<b>233998</b> Short*

Air-cooled parts breakdown and gun shown. Consult owner's manual for water-cooled parts and consumables.  
\*Optional phos bronze liners.

**For parts and support on the XR Python please contact MK Products at 949-863-1234**

XR-Aluma-Pro Lite



## XR™-Aluma-Pro™ Lite Consumables

Air-cooled parts breakdown and gun shown. Consult owner's manual for water-cooled parts and consumables.

Item #	Part #	Description	Quantity
	<b>254477</b>	Head Tube Assembly, Aluma-Pro Lite (Including)	1
1	<b>QT2-45</b>	Tube, Body 45 Degree x 2.69 Lg	1
	<b>1840057</b>	Clip-on Q-Nut Cover	1
	<b>1840031</b>	Body Tube Insulating Sleeve	2
2	<b>4323R</b>	Insulator, Nozzle (Small)	1
3	<b>DS-1</b>	Diffuser, C-Fire (Small Nozzle)	1
4	<b>NS-1218C</b>	Nozzle, C-Fire Small Copper 1/2 in. Recess 1/8 in.	1
5	<b>T-047AL</b>	Centerfire Contact Tip, Aluminum 3/64 in.	1
5	<b>T-035AL</b>	Centerfire Contact Tip, Aluminum .035	1
6	<b>258541</b>	Kit, Jump Liner Assembly .030-.035 (5 pk)	1
6	<b>258542</b>	Kit, Jump Liner Assembly .047-.062 (5 pk)	1
6	<b>258726</b>	Kit, Jump Liner Assembly .030-.035 14 in. Long (5 pk)	1
6	<b>258727</b>	Kit, Jump Liner Assembly .047-.062 14 in. Long (5 pk)	1
	<b>M1440</b>	Cable Liner for Gun	1
	<b>254756</b>	Drive Roll	1
	<b>227439</b>	Idler	1

## Optional Head Tube Assemblies (for XR-Aluma-Pro guns) continued on page 36



45 Degree/4 Inch (Air-Cooled) **255037**



45 Degree/4 Inch (Water-Cooled) **255338**



45 Degree/6 Inch (Air-Cooled) **255040**



45 Degree/6 Inch Heavy-Duty (Water-Cooled) **258293**



45 Degree/6 Inch (Water-Cooled) **231517**



45 Degree/10 Inch Tight ACS (Air-Cooled) **258295**

## Optional Head Tube Assemblies (for XR-Aluma-Pro guns)



60 Degree/4 Inch (Air-Cooled) **231519**



60 Degree/4 Inch (Water-Cooled) **255038**



60 Degree/6 Inch (Air-Cooled) **231518**



60 Degree/6 Inch (Water-Cooled) **255041**



60 Degree/6 Inch Heavy-Duty  
(Water-Cooled) **258294**



180 Degree/4 Inch (Air-Cooled) **255716**



180 Degree/4 Inch (Water-Cooled) **255717**



180 Degree/6 Inch (Air-Cooled) **258476**



180 Degree/6 Inch (Water-Cooled) **258477**



180 Degree/8 Inch (Air-Cooled) **255042**



180 Degree/8 Inch (Water-Cooled) **255043**



45 Degree/6 Inch with Centerfire™  
(Water-Cooled) **246205**



60 Degree/6 Inch with Centerfire™  
(Air-Cooled) **246301**

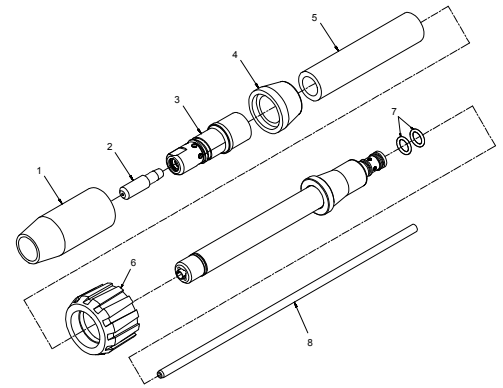


180 Degree/4 Inch with Centerfire™  
(Air-Cooled) **258474**



180 Degree/4 Inch with Centerfire™  
(Water-Cooled) **258475**

**XR-Pistol Pro**

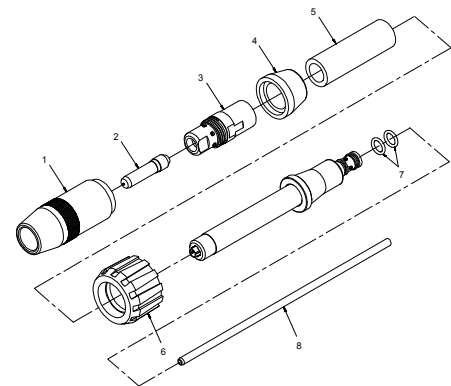


## XR-Pistol Pro Consumables

Air-cooled parts breakdown and gun shown.  
Consult owner's manual for water-cooled parts and consumables.

Item #	Part #	Description	Quantity
	<b>255716</b>	Kit, Head Tube Assembly (Air) AP/PP 180 Degree 4 in.	1
1	<b>198855</b>	Nozzle, Copper 5/8 in.	1
2	<b>206189</b>	Tip, Fastip .312 Od .052 And 3/64 Al Wires	1
3	<b>229670</b>	Diffuser, .281/.312 Od Collar Fastip 1/8 Rec Aluma	1
4	<b>232284</b>	Insulator, Nozzle Collared	1
5	<b>M1366</b>	Jacket Outer Insulating A/C Pistol Pro	1
6	<b>227168</b>	Nut, Head Tube Rotation	1
7	<b>191191</b>	O-Ring, .312 Id x .070 Cs 70 Duro Buna-n	2
8	<b>M1273</b>	Liner, Teflon .047-.062 Wire Pistol Pro	1
	<b>230969</b>	Kit, Replacement O-Rings Head Tube Air	1

**XR-Pistol Pro Plus**



## XR-Pistol Pro Plus Consumables

Air-cooled parts breakdown and gun shown.  
Consult owner's manual for water-cooled parts and consumables.

Item #	Part #	Description	Quantity
	<b>258474</b>	Kit, Head Tube Assembly (Air) AP/PP 180 Degree 4 in. Lg Cntrfr	1
1	<b>N-5818C</b>	Nozzle, C-Fire Large Copper 5/8 in. Recess 1/8 in.	1
2	<b>T-047AL</b>	Contact Tip, Centerfire .047 Aluminum	1
3	<b>D-1AP</b>	Diffuser, Centerfire-D-1AP	1
4	<b>232284</b>	Insulator, Nozzle Collared Diffuser (For 180 Degree/ Straight Only)	1
5	<b>M1190 (N/A)</b>	Insulator, Outer 180 Degree/ Straight (Air)	1
6	<b>227168</b>	Nut, Head Tube Rotation	1
	<b>230969</b>	Kit, Replacement O-Rings Head Tube Air (Includes)	1
7	<b>191191</b>	O-Ring, .312 Id x .070 Cs 70 Duro Buna-n	2
8	<b>M1442</b>	Liner, Teflon .047-.062 Wire Soft Pro/Plus	1

# Drive Rolls



2 Roll Kit

Base selection of drive rolls upon the following recommended usages:

1. V-Grooved rolls for hard wire.
2. U-Grooved rolls for soft and soft shelled cored wires.
3. U-Cogged rolls for extremely soft shelled wires.
4. V-Knurled rolls for hard shelled cored wires.
5. Drive roll types may be mixed to suit particular requirement (example: V-Knurled roll in combination with U-Grooved).

## Drive Rolls

Millermatic® 200/210/212/215/250/251/252/255 DVI™/Pulser/Vintage (2 Drive Roll)  
22/32/52 Series, SuitCase™ 8/12RC & 8/12VS, Reach Feeders (2 Drive Roll)  
Multimatic™ 200, 215, 220 AC/DC, 222 and 255

Wire Diameter			Drive Rolls			
Fraction	Decimal	Metric	Type	Kit #	Individual Drive Roll Part #	Inlet Wire Guide #
.023 – .025 in	.023 – .025 in	0.6 mm	V-Grooved	087131	087130	056192
.030 in	.030 in	0.8 mm	V-Grooved	079594	053695	056192
.030 and .035 in	.030 and .035 in	0.8 and 0.9 mm	V-Grooved	204579 <sup>1</sup>	203526	056192
.035 and .045 in	.035 and .045 in	0.9 and 1.22 mm	V-Grooved	190300 <sup>1</sup>	189285	056193
.035 in	.035 in	0.9 mm	V-Grooved	079595	053700	056192
.045 in	.045 in	1.2 mm	V-Grooved	079596	053697	056193
.052 in	.052 in	1.3 mm	V-Grooved	079597	053698	056193
1/16 in	.062 in	1.6 mm	V-Grooved	079598	053699	056195
.035 in	.035 in	0.9 mm	U-Grooved	044749	072000	221912
3/64 in	.047 in	1.2 mm	U-Grooved	079599	053701	221912
.052 in	.052 in	1.3 mm	U-Grooved	—	053702	221912
1/16 in	.062 in	1.6 mm	U-Grooved	079601	053706	056195
5/64 in	.079 in	2.0 mm	U-Grooved	—	053704	056195
3/32 in	.094 in	2.4 mm	U-Grooved	—	053703	056196
7/64 in	.110 in	2.8 mm	U-Grooved	—	053705	056196
1/8 in	.126 in	3.2 mm	U-Grooved	—	053707 (151043)	056197
.035 in	.035 in	0.9 mm	V-Knurled	079606	132958	056192
.045 in	.045 in	1.2 mm	V-Knurled	079607	132957	056193
.045 and 1/16 in	.045 and 1/16 in	1.22 and 1.6 mm	VK-Grooved	238687 <sup>1</sup>	238688	221030
.052 in	.052 in	1.3 mm	V-Knurled	079608	132956	056193
1/16 in	.062 in	1.6 mm	V-Knurled	079609	132955	056195
.068 – .072 in	.068 – .072 in	1.8 mm	V-Knurled	089984	132959	056195
5/64 in	.079 in	2.0 mm	V-Knurled	079610	132960	056195
3/32 in	.094 in	2.4 mm	V-Knurled	079611 (151067)	132961	056196
7/64 in	.110 in	2.8 mm	V-Knurled	—	132962	056196
1/8 in	.126 in	3.2 mm	V-Knurled	—	132963	056197
.045 in	.045 in	1.2 mm	U-Cogged	083318	083489	056193
.052 in	.052 in	1.3 mm	U-Cogged	—	083490	056193
1/16 in	.062 in	1.6 mm	U-Cogged	079614	053708	056195
5/64 in	.079 in	2.0 mm	U-Cogged	—	053710	056195
3/32 in	.094 in	2.4 mm	U-Cogged	—	053709	056196
7/64 in	.110 in	2.8 mm	U-Cogged	—	053711	056196
1/8 in	.126 in	3.2 mm	U-Cogged	—	053712	056197

<sup>1</sup>Dual-size reversible drive roll

## 22/24 Series & SuitCase Feeders Nylon Wire Guides (For Feeding Aluminum Wire)

Wire Diameter	Inlet Guide #
.047 in (1.2 mm)	151203
1/16 in (1.6 mm)	151205
3/32 in (2.4 mm)	194264

Note: Each drive roll kit contains 2 Drive Rolls and an Inlet Guide.

Note: U-Groove drive rolls are recommended when feeding aluminum wire.



**4 Roll Kit**

## Drive Rolls **Millermatic® 300/350/350P with Meters (4 Drive Roll)** **54 Series, 24A & R-115 Feeders (4 Drive Roll)**

Wire Diameter			Drive Rolls			Wire Guide	
Fraction	Decimal	Metric	Type	Kit #	Individual Drive Roll Part #	Inlet #	Intermediate #
.023 – .025 in	.023 – .025 in	0.6 mm	V-Grooved	087132	087130	056192	056206
.030 in	.030 in	0.8 mm	V-Grooved	046780	053695	056192	056206
.035 in	.035 in	0.9 mm	V-Grooved	046781	053700	056192	056206
.035 and 3/64 in	.035/.045 in	0.9/1.2 mm	V-Grooved	227061 <sup>1</sup>	189285 <sup>1</sup>	056193	056207
3/64 in	.045 in	1.2 mm	V-Grooved	046782	053697	056193	056207
.052 in	.052 in	1.3 mm	V-Grooved	046783	053698	056193	056207
1/16 in	.062 in	1.6 mm	V-Grooved	046784	053699	056195	056209
.035 in	.035 in	0.9 mm	U-Grooved	044750	072000	221912	058853
3/64 in	.047 in	1.2 mm	U-Grooved	046785	053701	221912	058853
.035 and 3/64 in	.035 and .045 in	1.9 and 1.2 mm	U-Grooved	244293	232826	221912	233843
.052 in	.052 in	1.3 mm	U-Grooved	—	053702	221912	058837
1/16 in	.062 in	1.6 mm	U-Grooved	046787	053706	058836	058837
5/64 in	.079 in	2.0 mm	U-Grooved	—	053704	056195	056209
3/32 in	.094 in	2.4 mm	U-Grooved	—	053703	056196	056210
7/64 in	.110 in	2.8 mm	U-Grooved	—	053705	056196	056210
1/8 in	.126 in	3.2 mm	U-Grooved	—	053707 (151043)	056197	056211
.035 in	.035 in	0.9 mm	V-Knurled	046792	132958	056192	056206
3/64 in	.045 in	1.2 mm	V-Knurled	046793	132957	056193	056207
.052 in	.052 in	1.3 mm	V-Knurled	046794	132956	056193	056207
1/16 in	.062 in	1.6 mm	V-Knurled	046795	132955	056195	056209
5/64 in	.079 in	2.0 mm	V-Knurled	046796	132960	056195	056209
3/32 in	.094 in	2.4 mm	V-Knurled	046797 (151058)	132961	056196	056210
7/64 in	.110 in	2.8 mm	V-Knurled	—	132962	056196	056210
1/8 in	.126 in	3.2 mm	V-Knurled	—	132963	056197	056211
3/64 in	.045 in	1.2 mm	U-Cogged	—	083489	056193	056207
.052 in	.052 in	1.3 mm	U-Cogged	—	083490	056193	056207
1/16 in	.062 in	1.6 mm	U-Cogged	—	053708	056195	056209
5/64 in	.079 in	2.0 mm	U-Cogged	—	053710	056195	056209
3/32 in	.094 in	2.4 mm	U-Cogged	—	053709	056196	056210
7/64 in	.110 in	2.8 mm	U-Cogged	—	053711	056196	056210
1/8 in	.126 in	3.2 mm	U-Cogged	—	053712	056197	056211

<sup>1</sup>Dual-size reversible V-groove drive roll (one .035 and one .045 in groove)

Wire Diameter	Inlet Guide #	Intermediate Guide #
.035 – .047 in (0.9–1.2 mm)	058854	058853
1/16 in (1.6 mm)	058836	058837
.023 – .052 in (0.6–1.3 mm)	221912	233843

**Note: Each drive roll kit contains 4 Drive Rolls, an Inlet Guide, and an Intermediate Guide.**

**Note: U-Groove drive rolls are recommended when feeding aluminum wire.**

# Drive Rolls



Base selection of drive rolls upon the following recommended usages:

1. V-Grooved rolls for hard wire.
2. U-Grooved rolls for soft and soft shelled cored wires.
3. U-Cogged rolls for extremely soft shelled wires.
4. V-Knurled rolls for hard shelled cored wires.
5. Drive roll types may be mixed to suit particular requirement (example: V-Knurled roll in combination with U-Grooved).

## Drive Rolls 62 series feeders, Pipe Pro 12 RC (2 roll kits), 64, 74 series feeder, Pipe Pro Single, Pipe Pro Single DX, Pipe Pro Dual DX, Pipe Worx 400 and all Axxess Feeders (4 roll kit)

Wire Diameter			Drive Rolls				Wire Guide		
Fraction	Decimal	Metric	Type	2 Roll Kit #	4 Roll Kit #	Individual Part #	Inlet #	Intermediate #	Antiwear #
.023-.025 in	.023-.025 in	0.6 mm	V-Grooved	151030	151024	087130	150993	149518	045233
.030 in	.030 in	0.8 mm	V-Grooved	—	151025	053695	150993	149518	045233
.035 in	.035 in	0.9 mm	V-Grooved	151032	151026	053700	150993	149518	045233
.035 and 3/64 in	.035/.045 in	0.9/1.2 mm	V-Grooved	190300 <sup>1</sup>	209533 <sup>1</sup>	189285	150994	149519	045233
.040 in	.040 in	1.0 mm	V-Grooved	—	161190	053696	150993	149518	045233
3/64 in	.045 in	1.2 mm	V-Grooved	151033	151027	053697	150994	149519	045233
.052 in	.052 in	1.3 mm	V-Grooved	151034	151028	053698	150994	149519	045233
1/16 in	.062 in	1.6 mm	V-Grooved	—	151029	053699	150995	149520	045233
.035 in	.035 in	0.9 mm	U-Grooved	151044	151036	072000	150993	149518	045233
.035 in	.035 in	0.9 mm	Polished U-Grooved	—	265255				
.035 and 3/64 in	.035/.045 in	1.9/1.2 mm	U-Grooved	—	244293	232826	221912	242417 (.035) (265255) 205936 (3/64)	
3/64 in	.045 in	1.2 mm	U-Grooved	151045	151037	053701	150994	149519	045233
.047 in	.047 in	1.2 mm	U-Grooved	—	265256	053701	221912	205936	
.052 in	.052 in	1.3 mm	U-Grooved	—	—	053702	150994	149519	045233
1/16 in	.062 in	1.6 mm	U-Grooved	151047	151039	053706	150995	149520	045233
1/16 in	.062 in	1.3 mm	Polished U-Grooved	—	265257				
5/64 in	.079 in	2.0 mm	U-Grooved	—	—	053704	150995	149520	045233
3/32 in	.094 in	2.4 mm	U-Grooved	—	151041	053703	150996 (151041)	149521 (151041)	045233
7/64 in	.110 in	2.8 mm	U-Grooved	—	—	053705	150996	149521	045233
1/8 in	.126 in	3.2 mm	U-Grooved	—	—	053707 (151043)	150997 (151060)	149522 (151060)	045233
.035 in	.035 in	0.9 mm	V-Knurled	151061	151052	132958	150993	149518	045233
3/64 in	.045 in	1.2 mm	V-Knurled	151062	151053	132957	150994	149519	045233
.052 in	.052 in	1.3 mm	V-Knurled	—	151054	132956	150994	149519	045233
1/16 in	.062 in	1.6 mm	V-Knurled	151064	151055	132955	150995	149520	045233
.068-.072 in	.068-.072 in	1.8 mm	V-Knurled	151065	151056	132959	150995	149520	045233
5/64 in	.079 in	2.0 mm	V-Knurled	151066	151057	132960	150995	149520	045233
3/32 in	.094 in	2.4 mm	V-Knurled	151067	151058	132961	150996 (151041)	149521 (151041)	045233
7/64 in	.110 in	2.8 mm	V-Knurled	—	151059	132962	150996	149521	045233
1/8 in	.126 in	3.2 mm	V-Knurled	—	151060	132963	150997 (151060)	149522 (151060)	045233
3/64 in	.045 in	1.2 mm	U-Cogged	—	151070	083489	150994	149519	045233
.052 in	.052 in	1.3 mm	U-Cogged	—	—	083490	150994	149519	045233
1/16 in	.062 in	1.6 mm	U-Cogged	—	151072	053708	150995	149520	045233
5/64 in	.079 in	2.0 mm	U-Cogged	—	—	053710	150995	149520	045233
3/32 in	.094 in	2.4 mm	U-Cogged	—	—	053709	150996 (151041)	149521 (151041)	045233
7/64 in	.110 in	2.8 mm	U-Cogged	—	—	053711	150996	149521	045233
1/8 in	.126 in	3.2 mm	U-Cogged	—	—	053712	150997 (151060)	149522 (151060)	045233

Dual-size reversible V-Groove drive roll (one .035 and one .045 in groove)

### 60 & 70 Series Nylon Wire Guides (For Feeding Aluminum Wire)

Wire Diameter	Inlet Guide #	Intermediate Guide #
.047 in (1.2 mm)	151203	151204
1/16 in (1.6 mm)	151205	151206

Note: Each drive roll kit contains 2 or 4 Drive Rolls, an Inlet Guide, an Intermediate Guide, and 045233 Antiwear Guide with 604612 Setscrew 8-32 x .125.

Note: U-Groove drive rolls are recommended when feeding aluminum wire.



# Miller Drive Rolls

	V-Groove	V-Groove	V-Groove	V-Groove	V-Knurl	V-Knurl	V-Knurl	Inlet Wire
Machine	.023/.024 (0.6 mm)	.030 (0.8 mm)	.035 (0.9 mm)	.045 (1.2 mm)	.030 (0.8 mm)	.035 (0.9 mm)	.045 (1.2 mm)	Guide
SideKick™/SideKick™ XL	090423	090423	090423	—	165603	165603	127229	058549
Cricket®/Cricket® XL	119028	119028	—	—	119028	119028	119028	058549
Millermatic® 35	—	057590 (2)	057590 (2)	—	—	—	—	058549
Millermatic® 90/130/Challenger	119028	119028	—	—	119028	119028	—	058549
Millermatic® 130 XP	090423	090423	090423	—	165603	165603	—	058549
Millermatic® 150/185	090423	090423	090423	—	165603	165603	127229	058549
Millermatic® Challenger™172	090423	090423	090423	—	165603	165603	127229	058549
Millermatic® Passport™/ Passport™ Plus 135/140/175/180/211	202925	202925	202925	—	202926	202926	202926	058549
Millermatic® 200/210/212/250/250x/251 <sup>1</sup>	087131 (kit)	079594 (kit)	079595 (kit)	079596 (kit)	—	079606	079607	Page 53
Millermatic® 252/ 300 without meters <sup>1</sup>	087131 (kit)	079594 (kit)	079595 (kit)	079596 (kit)	—	079606	079607	Page 53
Millermatic® DVI™/Pulser/Vintage/Reach <sup>1</sup>	087131 (kit)	079594 (kit)	079595 (kit)	079596 (kit)	—	079606	079607	Page 53
Millermatic® 300 with meters/350P	087132 (kit)	046780 (kit)	046781 (kit)	046782 (kit)	—	046792 (kit)	046793 (kit)	Page 54
Millermatic® 125 Hobby/141/190/211 standard drive <sup>2</sup>	261157	261157	261157	—	261157	261157	—	261151
Multimatic™ 200 standard drive rolls <sup>2</sup>	261157	261157	261157	—	261157	261157	261157	261151

<sup>1</sup>Optional Drive Rolls V-Groove .030(0.8mm) and .035(0.9mm) 204579

<sup>2</sup>Optional Drive Rolls V-Groove .023/.024(0.6mm), .030(0.8mm) and .035(0.9mm) 220179; V-Knurl .030(0.8mm), .035(0.9mm) and .045(1.2mm) 202926; Inlet Wire 261151

# XR Controls Drive Rolls Polished U-Groove

Machine	268847	268847	268848	268849	268850
XR/XR-S/XR-D	.030 in. (.76 mm)	.035 in. (.89 mm)	.040 in. (1.02 mm)	.047 in. (1.19 mm)	.062 in. (1.58 mm)

# Miller Spoolgun Drive Rolls

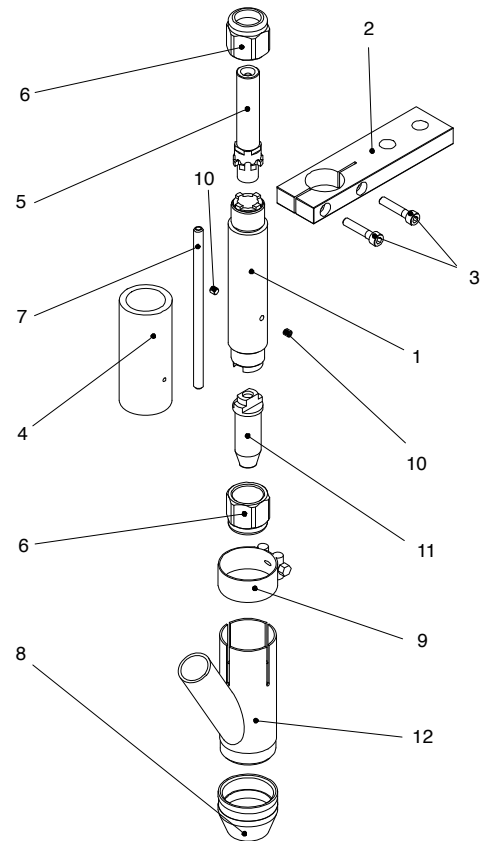
	V-Knurl	V-Knurl	V-Knurl	U-Knurl	Inlet Wire
Spoolguns	.030 in. (0.8 mm)	.035 in. (0.9 mm)	.045 in. (1.2 mm)	.062 in. (1.6 mm)	Guide
Spoolmate™ 100/185/3035	186414	186414	—	—	186410
Spoolmate™ 100/185/3035	186413	186413	—	—	186410
Spoolmate™ 200/3545	186414	186414	199397	—	186410
Spoolmate™ 200/3545	186413	186413	199396	—	186410
Spoolmate® 15A/30A	136135	136135	136135	136135	132521
Spoolmate® 15A/30A	183357	183357	183358	183358	132521
Spoolmate® 1, 2, 3	053131	053131	053131	053131	058549
XR™-15/XR™-30	053131	053131	053131	053131	on conduit
XR™-A /XR™-W Pistol	136135	136135	136135	136135	on conduit
XR™-A /XR™-W Pistol	183357	183357	183358	183358	on conduit
XR™-Edge	194114	194115	194116	194117	on conduit
XR™Aluma-Pro™	227434	227434	227434	227434	227408
XR™Aluma-Pro™ Lite	254756	254756	254756	254756	227408
XR™Aluma-Pro™ Plus	227434	227434	227434	227434	227408

## Sub Arc Drive Rolls

Machine	Part #	Description	Wire Sizes
RAD-400, RAD-400T, RAD-780	132955	V-K Groove Drive Roll	1/16 in. (.062 in. - 1.6 mm)
	132960	V-K Groove Drive Roll	5/64 in. (.79 in. - 2.0 mm)
	132961	V-K Groove Drive Roll	3/32 in. (.094 in. - 2.4 mm)
	132962	V-K Groove Drive Roll	7/64 in. (.110 in. - 2.8 mm)
	132963	V-K Groove Drive Roll	1/8 in. (.125 in. - 3.2 mm)
	193700	V-K Groove Drive Roll	5/32 in. (.156 in. - 4.0 mm)
	193701	V-K Groove Drive Roll	3/16 in. (.188 in. - 4.8 mm)

## 1200 Amp Single-Wire Torch Consumables

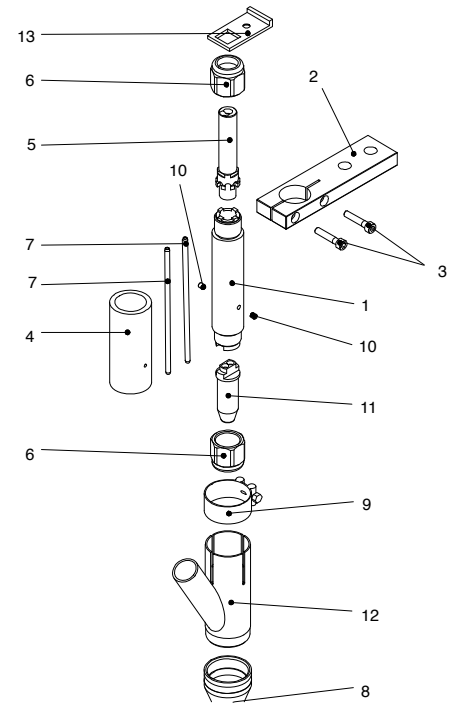
Item #	Part #	Description
	301141 (043900)	Short, 11.3 in. (288 mm) 1200 Amp torch for 1/16–5/32in. (1.6–4.0mm) wire
1	266660	Torch body
2	266662	Power source connector
3	266665	Screw, HSHC, M6x30
4	266663	Torch body insulator
5	266666	Wire feeder connector
6	264580 <sup>1</sup>	Nut
7	264581 <sup>1</sup>	Wire liner, 286 mm
8	264586 <sup>1</sup>	Flux nozzle, D.26
9	266667	Clamp, D.40
10	266668	Nut, M5 X 5
11	264590 <sup>2</sup>	Tip, contact single wire 1/16 in. (1.6 mm) CuCrZr
11	264591 <sup>2</sup>	Tip, contact single wire 5/64 in. (2.0 mm) CuCrZr
11	264587 <sup>1</sup>	Tip, contact single wire 3/32 in. (2.4 mm) CuCrZr
11	264593 <sup>2</sup>	Tip, contact single wire 1/8 in. (3.2 mm) CuCrZr
11	264594 <sup>2</sup>	Tip, contact single wire 5/32 in. (4.0 mm) CuCrZr
12	264589 <sup>1</sup>	Flux conveyor



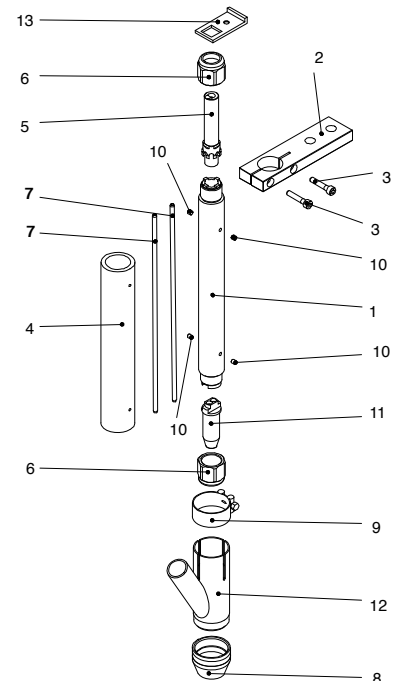


## 1200 Amp Twin-Wire Torch

Item #	Part #	Description
	<b>301143 (301144)</b>	<b>Short, 11.3 in. (288 mm) 1200 Amp torch for 3/64–3/32 in. (1.2–2.4 mm) wire</b>
1	266660	Torch Body
2	266662	Power Source Connector
3	266665	Screw, HSHC, M6 X 30
4	266663	Torch Body Insulator
5	266669	Wire Feeder Connector
6	264580 <sup>1</sup>	Nut
7	264584 <sup>1</sup>	Wire Liner, D. 5 X 3 146 mm
8	264586 <sup>1</sup>	Flux Nozzle, D.26
9	266667	Clamp, D.40
10	266668 <sup>1</sup>	Nut, M5 X 5
11	264595 <sup>2</sup>	Tip, Contact Twin Wire 3/64 in. (1.2 mm) CuCrZr
11	264596 <sup>2</sup>	Tip, Contact Twin Wire 1/16 in. (1.6 mm) CuCrZr
11	264597 <sup>2</sup>	Tip, Contact Twin Wire 5/64 in. (2.0 mm) CuCrZr
11	264588 <sup>1</sup>	Tip, Contact Twin Wire 3/32 in. (2.4 mm )CuCrZr
12	264589 <sup>1</sup>	Flux Conveyor
13	266670	Alignment Plate



Item #	Part #	Description
	<b>301444</b>	<b>Long, 16.8 in. (427 mm) 1200 Amp torch for 3/64–3/32 in. (1.2–2.4 mm) wire</b>
1	266661	Torch Body
2	266662	Power Source Connector
3	266665	Screw, HSHC, M6 X 30
4	266664	Torch Body Insulator
5	266669	Wire Feeder Connector
6	264580 <sup>1</sup>	Nut
7	264585 <sup>1</sup>	Wire Liner, D. 5 X 3 287 mm
8	264586 <sup>1</sup>	Flux Nozzle, D.26
9	266667	Clamp, D.40
10	266668	Nut, M5 X 5
11	264595 <sup>2</sup>	Tip, Contact Twin Wire 3/64 in. (1.2 mm) CuCrZr
11	264596 <sup>2</sup>	Tip, Contact Twin Wire 1/16 in. (1.6 mm) CuCrZr
11	264597 <sup>2</sup>	Tip, Contact Twin Wire 5/64 in. (2.0 mm) CuCrZr
11	264588 <sup>1</sup>	Tip, Contact Twin Wire 3/32 in. (2.4 mm )CuCrZr
12	264589 <sup>1</sup>	Flux Conveyor
13	266670	Alignment Plate



<sup>1</sup>Recommended spare part. <sup>2</sup>Optional

## Spectrum® Plasma Torch History

Leather Torch Cable Covers	
Description	Part #
20 ft Cable Cover	239642
25 ft Cable Cover	231867
50 ft Cable Cover	231868

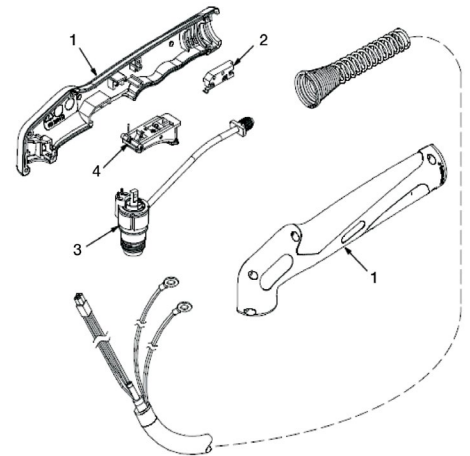
Model	Machine Stock #	Machine Kill Date	Original Torch	Recommended Replacement
Spectrum® 125C	907149, 907169 (N/A)	July 2006	ICE-12C, pg 59	ICE-12C, 20 ft (6.1 m) Hand-Held 195172, pg 59
Spectrum® 300	903479, 903787 (N/A)	N/A	ICE-25C, pg 59	ICE-25CX, 20 ft (6.1 m) Hand-Held 195007, pg 59 (N/A)
Spectrum® 375	903891, 903871 CE (N/A)	January 2013	ICE-27C, pg 59	XT30C, 20 ft (6.1 m) Hand-Held 255685, pg 56
	907532 (N/A)		XT-30C, pg 56	XT30C, 20 ft (6.1 m) Hand-Held 255685, pg 56
Spectrum® 375 X-TREME™	907339, 907303 (N/A)	June 2014	ICE-27T, pg 59	XT30, 12 ft (3.7 m) Hand-Held 249949, pg 56
	907529 (N/A)		XT30, pg 56	XT30, 12 ft (3.7 m) Hand-Held 249949, pg 56
Spectrum® 500	903143, 903144, 903145, 903146, 903187, 903201 (N/A)	May 2014	APT-5000 (N/A)	ICE-50, 30 ft (9 m) Hand-Held 169199 <sup>1</sup> / 50 ft (15.2 m) Hand-Held 169244 <sup>1</sup> , pg 63 (N/A)
Spectrum® 625	907058, 907058011 (N/A)	October 2013	ICE-40C, pg 60	ICE-40C, 25 ft (7.6 m) Hand-Held 195110 / 50 ft (15.2 m) Hand-Held 195111, pg 60
Spectrum® 625 X-TREME™	907404, 907404011, 9074041012 (N/A)	October 2013	ICE-40T, pg 60	XT-40, 12 ft (3.7 m) Hand-Held 249951 / 20 ft (6.1 m) Hand-Held 249952, pg 57
	907531, 907531001 (N/A)		XT40, pg 57	XT40, 12 ft (3.7 m) Hand-Held 249951 / 20 ft (6.1 m) Hand-Held 249952, pg 57
Spectrum® 625 X-TREME™	907579, 907579001	October 2013	XT40 w/Connect	XT40, 12 ft (3.7 m) Hand-Held W/ Disconnect 260633 / 20 ft (6.1 m) Hand-HeldW/ Disconnect 260635, pg 57
	907579002, 90757903 (N/A)	October 2019		XT40M Machine Long Body 25 ft (7.6 m) 259305 / Short Body 25 ft (7.6 m) 257462, pg 57
Spectrum® 650	903788, 903790 (N/A)	N/A	ICE-50C, pg 61	ICE-50C, 25 ft (7.6 m) Hand-Held 176824 / 50 ft (15.2 m) Hand-Held 176826, pg 61
Spectrum® 700	903444, 903445, 903446, 903447 (N/A)	November 2015	ICE-50, pg 63	ICE-50, 30 ft (9 m) Hand-Held 169199 / 50 ft (15.2 m) Hand-Held 169244, (N/A)
Spectrum® 701	950468, 950471, 950469, 950472 (N/A)	N/A	ICE-50C, pg 61	ICE-50C, 25 ft (7.6 m) Hand-Held 176824 / 50 ft (15.2 m) Hand-Held 176826, pg 61
	950470, 950473 (N/A)			ICE-50CM, 50 ft (15.2 m) Machine-Held 176828 (N/A) <b>Note: ICE-55C Not Recommended.</b>
Spectrum® 750	903193, 903194, 903195 (N/A)	February 2011	APT-7000 (N/A)	ICE-70, 30 ft (9 m) Hand-Held 169203 <sup>2</sup> / 50 ft (15.2 m) Hand-Held 169245 <sup>2</sup> , pg 63 (N/A)
Spectrum® 875	907390011, 907390012 (N/A)	October 2013	ICE-60T, pg 64	ICE-60T, 20 ft (7.6 m) Hand-Held 234132 / 50 ft (15.2 m) Hand-Held 234134, pg 64
				XT60, 20 ft Hand-Held Torch 249953 / 50 ft Hand-Held Torch 249954, pg 58
Spectrum® 875	249955	October 2013	XT60, pg 58	XT60M 25 ft (7.6 m) Machine Torch Long Body 249955 / 50 ft (15.2 m)
	249956	October 2013	XT60, pg 58	Machine Torch Long Body 249956, pg 58
	907583, 907583001	December 2017	XT60, pg 58	XT60 20 ft (7.6 m) Hand-Held 249953 / 50 ft (15.2 m) Hand-Held 249954, pg 58
	907583002, 907583003			XT60M 25 ft (7.6 m) Machine Torch Long Body 249955 / 50 ft (15.2 m) Machine Torch Long Body 249956, pg 58
Spectrum® 875 Auto-Line	907396, 907396001 (N/A)	October 2017		XT60M, 20 ft (7.6 m) Hand-Held 249953 / 50 ft (15.2 m) Hand-Held 249954, pg 58
	907396002, 907396003 (N/A)			ICE-60TM, 25 ft (7.6 m) Machine-Held Torch with Pendant 300759 / Kit, ICE-60TM, Machine Torch 50 ft 300760 pg 64, pg 64
Spectrum® 875 Auto-Line	907584, 907584001	December 2017		XT60, 20 ft (7.6 m) Hand-Held 249953 / 50 ft (15.2 m) Hand-Held 249954, pg 58
	907584002, 907584003			XT60M, 25 ft (7.6 m) Machine Torch Long Body 249955 / Short Body 257464, pg 58
	907584004, 907584005			XT60M, 50 ft (15.2 m) Machine Torch Short Body 263952 / Long Body 249956, pg 58 (N/A)
Spectrum® 1000	903448, 903449, 903448011 (N/A)	November 2009	ICE-70, pg 63	ICE-70, 30 ft (9 m) Hand-Held 169203 / 50 ft (15.2 m) Hand-Held 169245, pg 63 (N/A)
	907162 (N/A)		ICE-80T, pg 66	ICE-80T, 25 ft (7.6 m) Hand-Held 195223 / 50 ft (15.2 m) Hand-Held 195225, pg 66
Spectrum® 1250	903450, 903451, 903452 (N/A)	December 2005	ICE-100, pg 63	ICE-100, 30 ft (9 m) Hand-Held 169207 / 50 ft (15.2 m) Hand-Held 169246, pg 63 (N/A)
Spectrum® 1251	907305011, 907305012 (N/A)	November 2009	ICE-100T, pg 68	ICE-100T, 25 ft (7.6 m) Hand-Held 225702 / 50 ft (15.2 m) Hand-Held 225704, pg 68
	907305013, 907305014 (N/A)			ICE-100TM, 25 ft (7.6 m) Machine-Held 225706 <sup>4</sup> / w/Pendant, 25 ft (7.6 m) Machine-Held 226057, pg 68 (N/A)
Spectrum® 1500	903147, 903148, 903186, 903149 (N/A)	N/A	APT-8000 (N/A)	ICE-70, 30 ft (9 m) Hand-Held 169203 <sup>5</sup> / 50 ft (15.2 m) Hand-Held 169245 <sup>5</sup> , pg 63 (N/A)
Spectrum® 1500D	907305 (N/A)	N/A	APT-8000 (N/A)	ICE-70, 30 ft (9 m) Hand-Held 169203 / 50 ft (15.2 m) Hand-Held 169245, pg 63 (N/A)
Spectrum® 2050	903789 (N/A)	November 2008	ICE-50C, pg 61	ICE-50C, 25 ft (7.6 m) Hand-Held 176824 / 50 ft (15.2 m) Hand-Held 176826, pg 61
Spectrum® 2050	903777012, 903777013 (N/A)	October 2010	ICE-55C, pg 62	ICE-55C, 25 ft (7.6 m) Hand-Held 193347 / 50 ft (15.2 m) Hand-Held 193348, pg 62
	903777022 (N/A)			ICE-55CM, 50 ft (15.2 m) Machine-Held 193349, pg 62, No Pendant
Spectrum® 2255	903755 (N/A)	January 2005		ICE-80CX, 25 ft (7.6 m) Hand-Held 216300, pg 66
Spectrum® 3080	903793012, 903795011, 903793013, 903795012 (N/A)	December 2004	ICE-80C, pg 66	ICE-80CX, 25 ft (7.6 m) Hand-Held 216300 / 50 ft (15.2 m) Hand-Held 218044, pg 66
	903793021, 903795021 (N/A)			ICE-80CXM, 50 ft (15.2 m) Machine-Held 219944
Spectrum® LYNX	903552, 950611 (N/A)	December 2001	ICE-50C, pg 61	ICE-50C, 25 ft (7.6 m) Hand-Held 176824 / 50 ft (15.2 m) Hand-Held 176826, pg 61 <b>Note: ICE-55C Not Recommended</b>
Spectrum® Thunder	903741, 903742 (N/A)	December 2001	ICE-12C (N/A), pg 59	ICE-12C, 20 ft (6.1 m) Hand-Held (kit) 216407, pg 59

Please order replacement torches through Miller Service Parts.  
Telephone: 1-866-931-9730 Fax: 1-800-637-2315



## XT30, XT30C & XT30R Service Parts/Consumables

Item #	Part #	Description	Quantity
	249949	XT30, 12 ft Hand-Held Torch (replacement)	1
	255685	XT30C, 20 ft Hand-Held Torch (replacement)	1
	268920	XT30R, 12 ft Hand-Held Torch (replacement)	
1	268929	Torch Handle Kit	1
1	259870	Torch Handle Kit	
2	249971	Torch Trigger	1
3	N/A	Leads XT30R, no replacement leads	
3	249957	Leads, XT30 12ft	
3	255686	Leads, XT30C 20 ft Hand Held Torch	
4	252938	Torch Body w/Cup Switch for XT30R	1
4	252238	Torch Body w/Cup Switch for XT30 and XT30C	
5	249972	Torch Trigger Assembly w/Spring	1
	249973	Cup Detect Switch w/Screws	

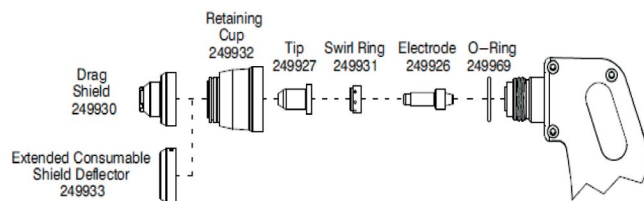


**XT30, XT30C & XT30R Torch**

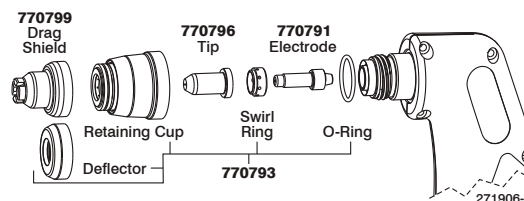
Consumables for XT30 and XT30C			
	249930	Drag Shield	1
	249933	Shield Deflector	1
	249932	Retaining Cup	1
	249927	Tip	3
	249931	Swirl Ring	1
	249926	Electrode	3
	249969	O-Ring	3
	253054	Stand-Off Guide	
	253520	Consumables Kit XT30	

*XT30 & XT30C Consumables Kit Includes - v(1) O-ring 249969, (5) Electrode 249926, (5) Tip 249927, (1) Swirl Ring 249931, (1) Retaining Cup 249932, (1) Silicone Grease 252951, (1) Plastic Box 127493*

### Consumables for XT30 & XT30C



### Consumables for XT30R



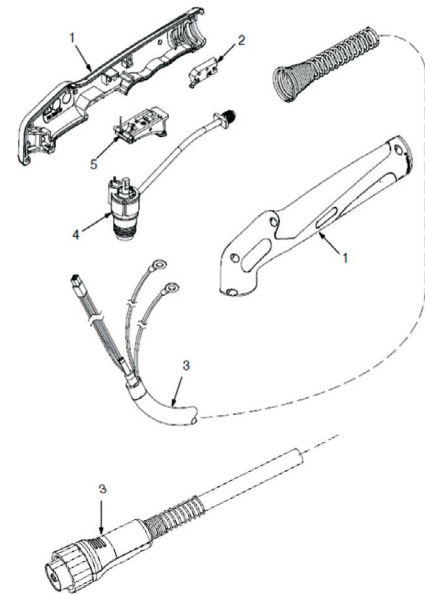
## XT40, XT40R & XT40M

### Service Parts/Consumables

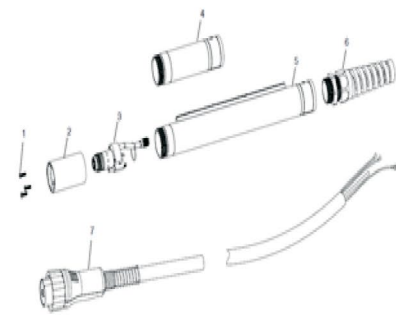
Item #	Part #	Description	Quantity
	249951	XT40, 12 ft Hand Held Torch	
	249952	XT40, 20 ft Hand-Held Torch	
	260633	XT40, 12 ft Hand-Held Torch w/Disconnect	
	260635	XT40, 20 ft Hand-Held Torch w/Disconnect	
	268923	XT40R, 12 ft Hand-Held Torch (Replacement)	
1	259870	Torch Handle Kit w/Screws	1
2	249971	Torch Trigger (Microswitch)	1
3	249959	Leads, XT40 12 ft Hand-Held Torch	1
3	249960	Leads, XT40 20 ft Hand-Held Torch	1
3	260637	Leads, XT40 12 ft Hand-Held Torch w/Disconnect	1
3	260638	Leads, XT40 20 ft Hand-Held Torch w/Disconnect	1
3	N/A	XT40R, No Replacement Leads	
4	252938	Torch Body Kit for XT40 and XT40R	1
4	252238	Torch Body Kit for XT40	
5	249972	Torch Trigger Assembly w/Spring	1
6	249973	Cup Detect Switch w/Screws	
	259305	XT40M, 25 ft Long Body Machine Torch w/Disconnect	
	257462	XT40M, 25 ft Short Body Machine Torch w/Disconnect	
1	259363	Mounting Screw for Machine Torch Body	3
2	259361	Mounting Sleeve for Machine Torch	1
3	259333 (N/A)	Kit, Torch Body w/Switch	1
4	263389	Positioning Sleeve Short Body	1
5	259357	Positioning Sleeve Long Body	1
6	259359	Stain Relief	1
7	259330	Leads, XT40M 25 ft Machine Torch	1
	253521	Consumables Kit XT40 <sup>1</sup>	

<sup>1</sup>Consumables Kit XT40 253521-includes (5) Electrode 249926, (5) Tips 40\_A 249928, (3) Tips 30A 249927(1) o-ring 249969, (1) Swirl ring 249931, (1) Retaining Cup 249932, (1) Gouge Tip 249936, (1) Gouge Shield 249936, (2) Drag Shield 30A 249930, (1) Drag Shield 40A 251960, (1) Deflector Shield 249933, (1) Silicone Grease 252951, (1) Plastic Box 127493

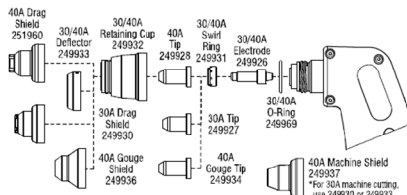
### XT40 & XT40 with Disconnect



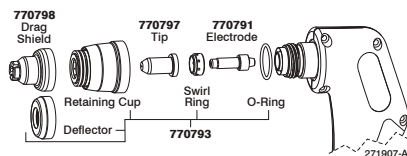
### XT40TM Torch Long & Short



### Consumables for XT40



### Consumables for XT40R



### 263310 Shield Sense



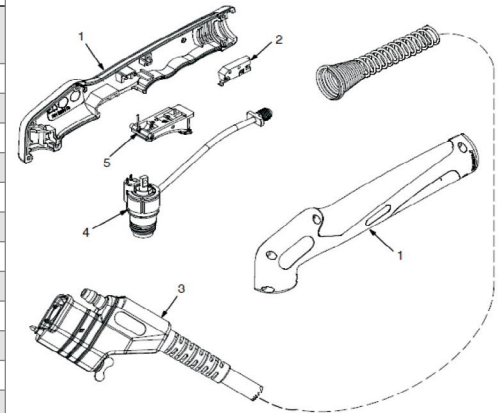
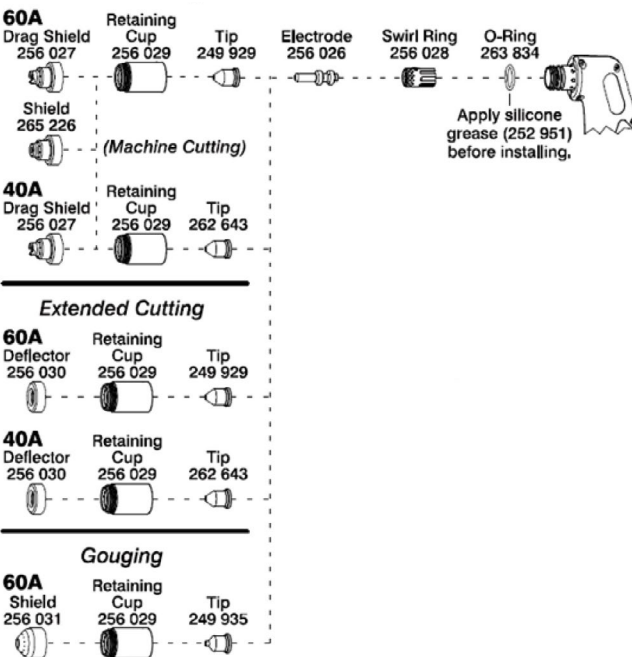


## XT60 & XT60M Service Parts/Consumables

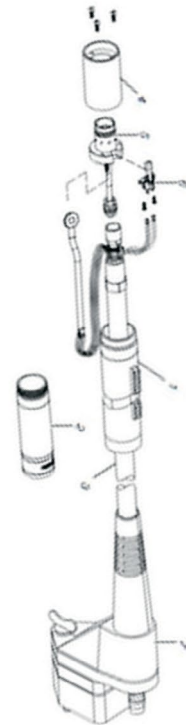
Item #	Part #	Description	Quantity
	249953	XT60, 20 ft Hand Held Replacement Torch	
	249954	XT60, 50 ft Hand Held Replacement Torch	
1	263950	Torch Handle Kit w/Screws	1
2	249971	Torch Trigger (Microswitch)	1
3	249961	Leads, XT60 20 ft Hand-Held Replacement Torch	1
3	249962	Leads, XT60 50 ft Hand-Held Replacement Torch	1
4	256039	Torch Body Kit w/Switch	1
5	249972	Torch Trigger Assembly w/Spring	1
6	249973	Cup Detect Switch w/Screws	1
		<b>XT60M Machine Torches</b>	
	249955	XT60M, 25 ft Long Body Machine Torch	
	249956	XT60M, 50 ft Long Body Machine Torch	
	257464	XT60M, 25 ft Short Body Machine Torch (N/A)	
	263952	XT60M, 50 ft Short Body Machine Torch (N/A)	
1	259357	Long Body Positioning Sleeve	1
2	263389	Short Body Positioning Sleeve	1
3	249963	XT60M Lead, w/QD 25 ft	1
3	249964	XT60M Lead, w/QD 50 ft	1
4	259361	Torch Sleeve	1
5	256040	Main Body w/Switch	1
6	259334	Cup Detect Switch	1
7	243754	Kit, XT60M QD w/Wing Head Fastener	1
	252951	Grease, silicone	1
	256033	Consumable Kit, XT60 <sup>1</sup>	
	253054	Stand-off Roller Guide	1
	253055	Circle Cutting Guide	1

<sup>1</sup>XT60 Consumable kit Includes, (3) Electrodes 256026, (3) Tip XT60 249929, (1) Drag Shield 256027, (1) Swirl Ring 256028, (1) Retaining Cup 256029, (1) Deflector Shield 256030, (1) Gouge Tip 2499935, (1) O-ring 263834, (1) Grease, Silicone 252951, (1) Plastic Box 127493

### Consumables for XT60 & XT60M



XT60 Torch



XT60M Torch



263310  
Shield Sense

# Plasma Cutting

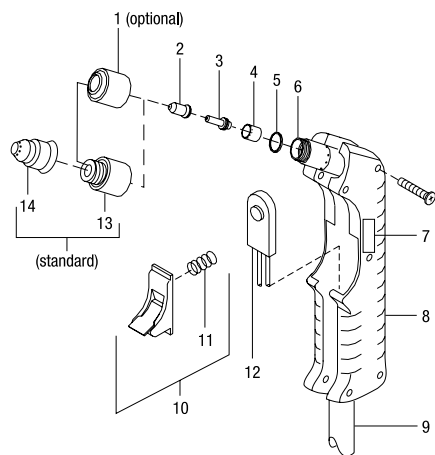
## ICE-12C

### Service Parts/Consumables

Item #	Part #	Description	Quantity
	216407	ICE-12C Replacement Torch w/Brass Elbow	1
	195172	ICE-12C, 20 ft Torch	1
		<b>Consumables</b>	
1	196928	Cup, Shield (optional)	1
2	196926	Tip, 12 A	1 (5 per pkg)
3	196925	Electrode, 12 A	1 (5 per pkg)
4	196927	Swirl Ring, 12 A	1
5	196935	O-Ring, ICE-12C main body	1 (3 per pkg)
6	196932	Main Body w/Switch (N/A)	1
7	196930	Label, ICE-12C (N/A)	2
8	183427	Handle Assembly, complete	1
9	196931 <sup>1</sup>	Leads, 20 ft (N/A)	1
10	185833	Switch Assembly (includes spring)	1
11	190220	Spring	1
12	171248	Push Button Switch	1
13	197567	Cup, Retaining (drag shield)	1
14	196929	Shield, Drag	1
	252951	Grease, Silicon	1
	222938 <sup>2</sup>	Consumable Kit (ICE-12C)	1
	253054	Stand-off Guide	1
	253055	Circle Cutting Guide	1

<sup>1</sup>If used with Spectrum Thunder, 216277 fitting required.

<sup>2</sup>ICE-12C Consumable Kit includes (1) drag shield 196929 (1) plastic case 127493, (1) shield cup 197567, (4) tips 196926, (4) electrodes 196925, (1) o-ring 196935, and (1) silicone grease 252951.

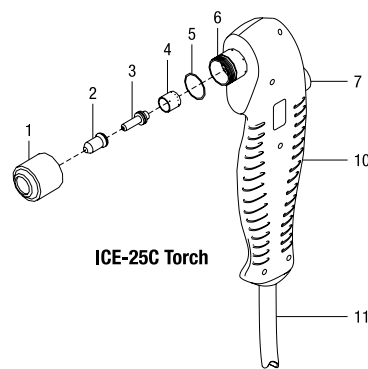


ICE-12C Torch

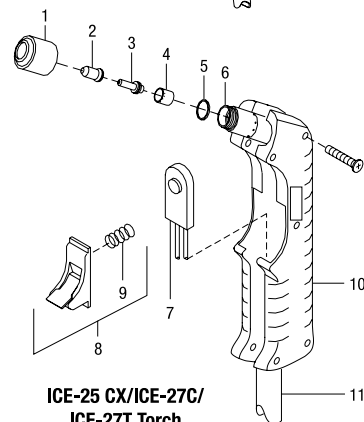
## ICE-25C & 25CX/27C/27T

Item #	Part # ICE-25C	Part # ICE-25 CX/27C/27T	Description	Quantity
	—	195007 (N/A)	ICE-25CX, 20 ft Hand Held Replacement Torch	
	—	195014 (N/A)	ICE-27C, 20 ft Hand Held Replacement Torch	
	—	225615 (N/A) 249949	ICE-27T, 12 ft Hand Held Replacement Torch	
1	202808	202808	Cup, shield	1
2	176656	176656	Tip, 25/27 A (Non-Shielded)	1 (5 per pkg)
3	176655	176655	Electrode, 25/27 A	1 (5 per pkg)
4	202809	202809	Swirl Ring, 25/27 A	1
5	169232	169232	O-Ring (main body)	1 (3 per pkg)
6	178550 (N/A)	—	Main Body, ICE 25C	1
	—	203119 (N/A)	Main Body (ICE-27C/27T only)	1
7	171248	171248	Push Button Switch	1
8	—	185833	Switch Assembly (includes spring)	1
9	—	190220	Spring	1
10	183428 (N/A)	183427	Handle Assembly, complete	1
11	—	228405	Leads, 12 ft (ICE-27T)	1
	177893 (N/A)	—	Leads, 15 ft (ICE-25C)	1
	177894 (N/A)	—	Leads, 25 ft (ICE-25C)	1
	—	205881 (N/A)	Leads, 20 ft (ICE-25 CX)	1
	—	203120 (N/A)	Leads, 20 ft (ICE-27C)	1
	225671	225671	Tip, drag shield	1 (5 per pkg)
	225672 (N/A)	225672 (N/A)	Retaining Cup, drag shield	1
	225616	225616	Drag Shield	1
	252951	252951	Grease, Silicon	1
	—	222939 <sup>3</sup>	Consumable Kit (ICE-27C/27T)	1
	253054	253054	Stand-off Guide	1
	253055	253055	Circle Cutting Guide	1

<sup>3</sup>ICE-27C Consumable Kit includes (1) plastic case 127493, (1) shield cups 202808, (5) tips 176656, (5) electrodes 176655, (1) swirl ring 202809, (1) o-ring 169232, and (1) silicone grease 252951.



ICE-25C Torch



ICE-25 CX/ICE-27C/  
ICE-27T Torch

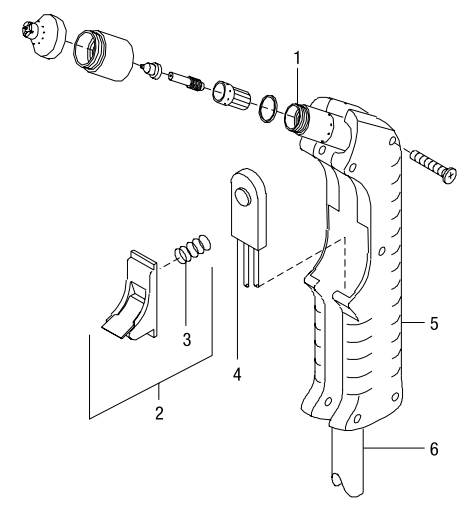




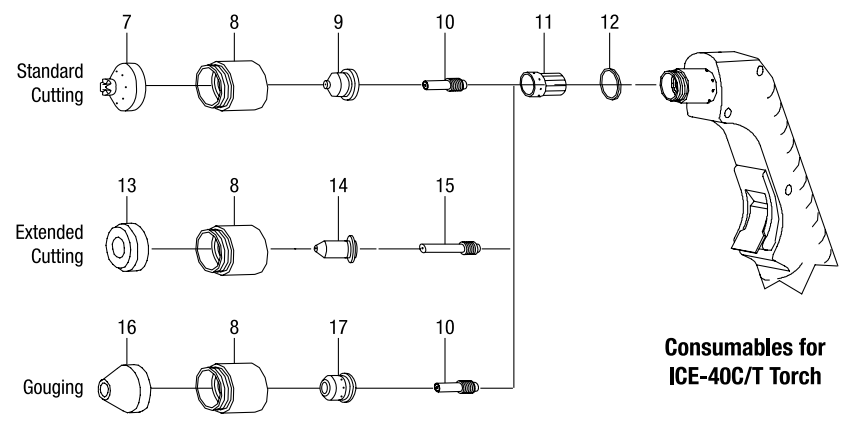
## ICE-40C/T Service Parts/Consumables

Item #	Part # ICE-40C	Part # ICE-40T	Description	Quantity
	195110	—	ICE-40C, 25 ft Hand Held Replacement Torch	1
	195111	—	ICE-40C, 50 ft Hand Held Replacement Torch	1
	—	237502 (N/A)	ICE-40T, 12 ft Hand Held Replacement Torch	1
	—	237504 (N/A)	ICE-40T, 20 ft Hand Held Replacement Torch	1
1	192059	192059	Main Body	1
2	185833	185833	Switch Assembly (includes switch)	1
3	190220	190220	Spring	1
4	171248	171248	Push Button Switch	1
5	183427	183427	Handle Assembly, complete	1
6	209298	238558 (N/A)	Leads, 25 ft/ Leads, 12ft	1
	209299 (N/A)	238559 (N/A)	Leads, 50 ft	1
	252951	252951	Grease, Silicon	1
<b>Consumables</b>				
7	204323	204323	Shield, drag	1
8	192050	192050	Cup, retaining	1
9	204325	204325	Tip, standard (40 A)	1 (5 per pkg)
10	192047	192047	Electrode, standard	1 (5 per pkg)
11	192049	192049	Swirl Ring	1
12	169232	169232	O-Ring	1 (3 per pkg)
13	177888	177888	Deflector	1
14	192052	192052	Tip, extended (40 A)	1 (5 per pkg)
15	192048	192048	Electrode, extended	1 (5 per pkg)
16	192203 (222941)	192203 (222941)	Shield, gouge	1
17	204332	204332	Tip, gouge	1 (5 per pkg)
	222940 <sup>1</sup>	222940 <sup>1</sup>	Consumable Kit (ICE-40C)	1
	253054	253054	Stand-off Guide	1
	253055	253055	Circle Cutting Guide	1

<sup>1</sup>ICE-40C/T Consumable Kit includes (1) plastic case 127493, (3) tips 204325, (3) electrodes 192047, (1) extended tip 192052, (1) extended electrode 192048, (1) gouge shield 192203, (1) gouge tip 204332, (1) o-ring 169232, (1) silicone grease 252951, (1) swirl ring 192049 and (1) retaining cup 192050.



ICE-40C/T Torch

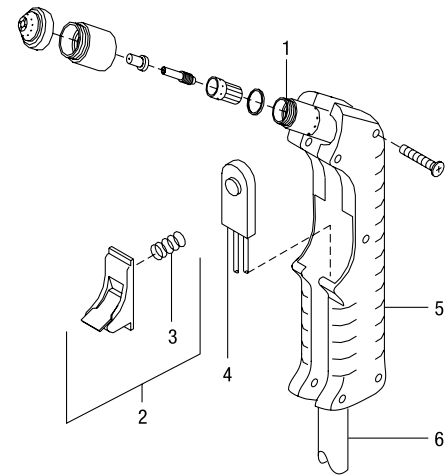


Consumables for ICE-40C/T Torch

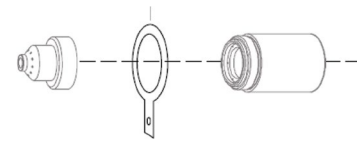
# Plasma Cutting

## ICE-50C & 50CM Service Parts/Consumables

Item #	Part #	Description	Quantity
	176824	ICE-50C, 25 ft Hand Held Replacement Torch	1
	176826	ICE-50C, 50 ft Hand Held Replacement Torch	1
	176828 (N/A)	Torch, 50 ft (ICE-50CM) N/A	
<b>ICE-50C Torch (Hand-Held)</b>			
1	188794 (N/A)	Main Body	1
2	185833	Switch Assembly (includes)	1
3	190220	Spring	1
4	171248	Push Button Switch	1
5	183427	Handle Assembly, complete	1
6	179829 (N/A)	Leads, 25 ft	1
	179830 (N/A)	Leads, 50 ft	1
	252951	Grease, Silicon	1
<b>Consumables</b>			
7	192053	Shield, drag	1
8	192050	Cup, retaining	1
9	177890	Tip, standard	1 (5 per pkg)
	192051 <sup>1</sup>	Tip, standard (ICE-55C)	1 (5 per pkg)
10	192047	Electrode, standard	1 (5 per pkg)
11	177886	Swirl Ring	1
	192049 <sup>1</sup>	Swirl Ring (ICE-55C)	1
12	169232	O-Ring	1 (3 per pkg)
13	192058	Shield, machine	1
14	177888	Deflector	1
15	177876	Tip, extended	1 (5 per pkg)
	192056 <sup>1</sup>	Tip, extended tapered 55 A (ICE-55C)	1 (5 per pkg)
	192052 <sup>1</sup>	Tip, extended tapered 40 A (ICE-55C)	1 (5 per pkg)
	189407 (N/A)	Tip, extended (flat)	1 (5 per pkg)
16	192048	Electrode, extended	1 (5 per pkg)
17	192203 (222941)	Shield, gouge	1
18	177878	Tip, gouge	1
	192204 <sup>1</sup>	Tip, gouge (ICE-55C)	1 (5 per pkg)
19	226763	Sense Tab	1
	253055	Circle Cutting Guide	1

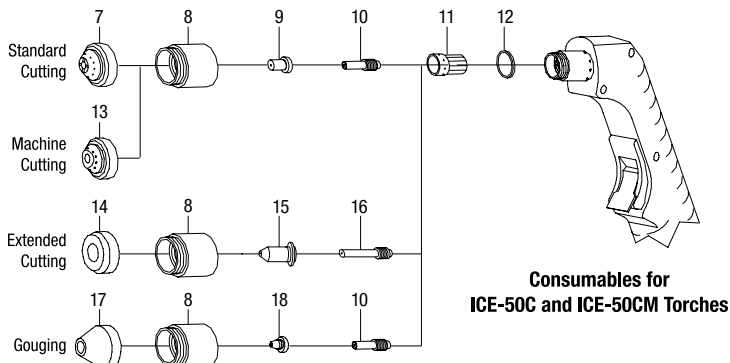


**ICE-50C Torch**



**226763  
Sense Tab**

<sup>1</sup>**Spectrum 2050 Enhancement** — For improved cutting performance and increased consumable life, Spectrum 2050 users are encouraged to update their existing ICE-50C Cutting Tips and Swirl Ring with the ICE-55C components. (The ICE-55C Tips must be used in conjunction with the ICE-55C Swirl Ring.)



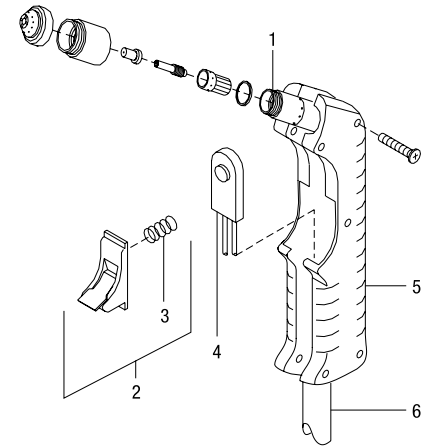
**Consumables for  
ICE-50C and ICE-50CM Torches**



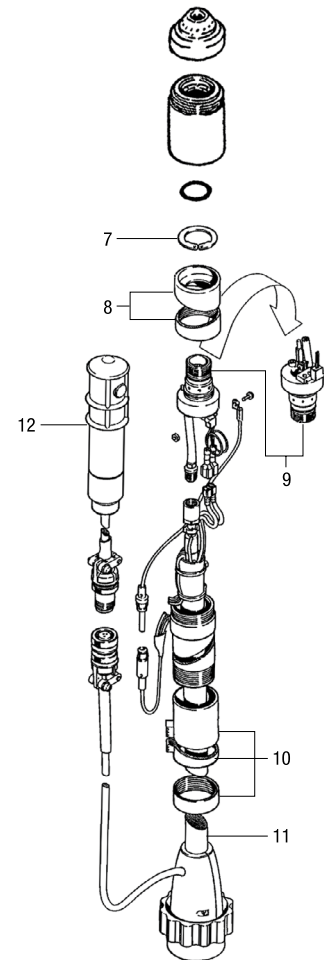
## ICE-55C & 55CM Service Parts/Consumables

Item #	Part #	Description	Quantity
	193347	Torch, 25 ft (ICE-55C)	1
	193348	Torch, 50 ft (ICE-55C)	1
	193349	Torch, 50 ft (ICE-55CM)	1
<b>ICE-55C Torch (Hand-Held)</b>			
1	192059	Main Body	1
	202932	Plunger Repair Kit	1
2	185833	Switch Assembly (includes)	1
3	190220	Spring	1
4	171248	Push Button Switch	1
5	183427	Handle Assembly, complete	1
6	192062	Leads, 25 ft	1
	192063 (N/A)	Leads, 50 ft	1
	252951	Grease, Silicon	1
<b>ICE-55CM Torch (Machine-Held)</b>			
7	198644 (N/A)	Retaining Ring	1
8	198643 (N/A)	Torch Sleeve	1
9	192060 (N/A)	Main Body	1
10	180610 (N/A)	Position Sleeve	1
11	192061 (N/A)	Leads, 50 ft	1
12	180605 (N/A)	Remote Pendant Control	1
<b>Consumables</b>			
13	192053	Shield, drag	1
14	192050	Cup, retaining	1
15	192051	Tip, standard	1 (5 per pkg)
16	192047	Electrode, standard	1 (5 per pkg)
17	192049	Swirl Ring	1
18	169232	O-Ring	1 (3 per pkg)
19	192058	Shield, machine	1
20	177888	Deflector	1
21	192056	Tip, extended tapered (55 A)	1 (5 per pkg)
	192052	Tip, extended tapered (40 A)	1 (5 per pkg)
22	192048	Electrode, extended	1 (5 per pkg)
23	192203 (222941)	Shield, gouge	1
24	192204 (222941)	Tip, gouge	1 (5 per pkg)
25	226763	Sense Tab	1
	222941 <sup>1</sup>	Consumable Kit (ICE-55C)	1
	253055	Circle Cutting Guide	1

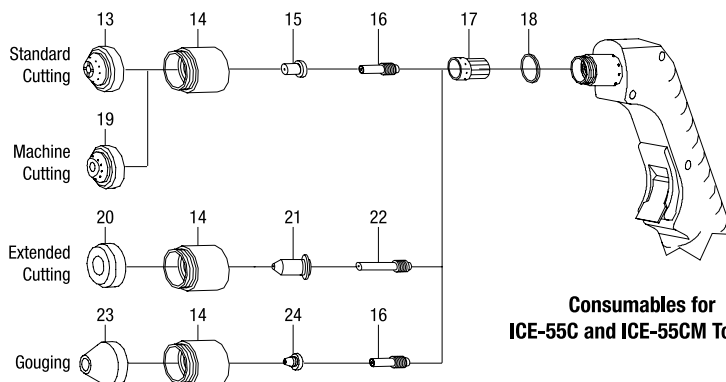
<sup>1</sup>ICE-55C Consumable Kit includes (1) plastic case 127493, (1) drag shield 192053, (1) retaining cup 192050, (4) tips 192051, (4) electrodes 192047, (2) extended tips 192056, (2) extended electrodes 192048, (1) gouge shield 192203, (1) gouge tip 192204, (3) o-rings 169232, and (1) silicone grease 252951.



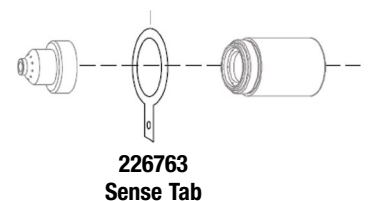
ICE-55C Torch



ICE-55CM Torch



Consumables for ICE-55C and ICE-55CM Torches



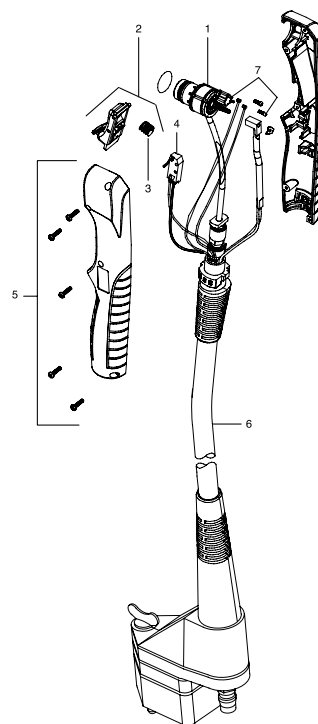
226763 Sense Tab

# Plasma Cutting

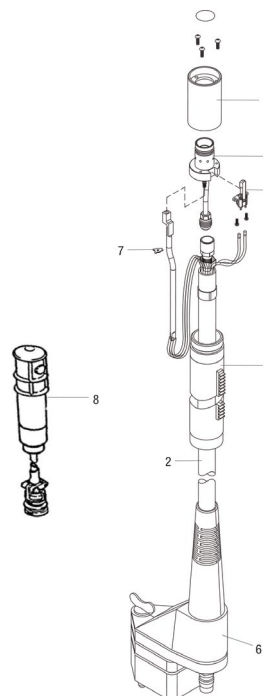
## ICE-60T & 60TM

### Service Parts/Consumables

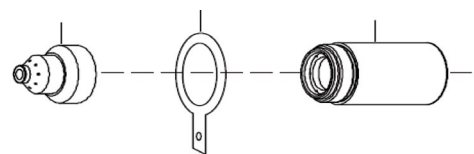
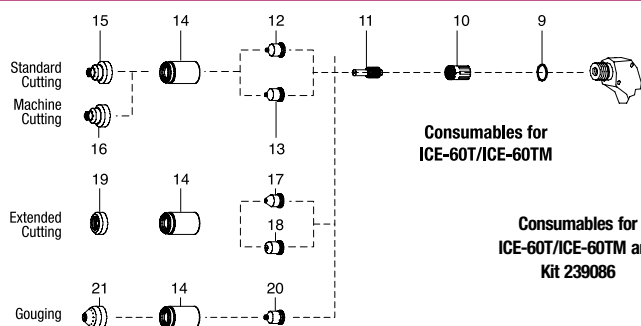
Item #	Part #	Description	Quantity
	234132	Torch, 20 ft (ICE-60T)	1
	234134 (249954)	Torch, 50 ft (ICE-60T)	1
	234136 (N/A)	Torch, 25 ft (ICE-60TM)	1
	234138 (N/A)	Torch, 50 ft (ICE-60TM)	1
	300759	Torch with Pendant, 25 ft (ICE-60TM)	1
	300760 (N/A)	Torch with Pendant, 50 ft (ICE-60TM)	1
<b>ICE-60T Torch</b>			
1	215477	Torch, Main Body	1
2	185833	Switch Assembly (includes spring)	1
3	190220	Spring	1
4	215592	Trigger Switch	1
5	215594	Handle Assembly	1
6	234132	Leads, 20 ft	1
	234134 (249954)	Leads, 50 ft	1
	252951	Grease, Silicon	1
7	215478	Switch Cup, Sensor	1
<b>ICE-60TM Torch</b>			
1	215607 (N/A)	Sleeve, Torch Position	1
2	234172 (N/A)	Torch Lead, 25 ft (7.6 m)	1
3	215599	Torch Sleeve	1
4	215598 (N/A)	Torch, Main Body	1
5	215478	Switch Cup, Sensor	1
6	234829 (N/A)	Kit, ICE-60T/TM QD w/Wing Head Fastener	1
7	215606	Clip, Retaining	1
8	195513	Remote Pendant Control	1
	220240	Cable, Remote Control Trigger 25 ft (7.6 m)	1
	220241	Cable, Remote Voltage Sense 26.5 ft (8 m)	1
<b>Consumables</b>			
9	212735	O-Ring	1 (5 per pkg)
10	212734	Swirl Ring	1
11	212724	Electrode	1 (5 per pkg)
12	219676	Standard 60A tip	1 (5 per pkg)
13	212725	Standard 40A tip	1 (5 per pkg)
14	212733	Retaining Cup	1
15	212730	Drag Shield	1
16	212732	Shield	1
17	219682	Extended 60A tip	1 (5 per pkg)
18	212729	Extended 40A tip	1 (5 per pkg)
19	212736	Deflector	1
20	219680	Gouge Tip	1 (5 per pkg)
21	212731	Gouge Shield	1
22	226763	Sense Tab	1
23	253054	Stand-off Guide	1
24	253055	Cutting Guide	



ICE-60T Torch



ICE-60TM Torch



226763  
Sense Tab



## ICE-80CX/80T

### Service Parts/Consumables

Item #	Part # ICE-80CX	Part # ICE-80T	Description	Quantity
	216300	195223	Torch, 25 ft	1
	218044	195225 (195223)	Torch, 50 ft	1
1	215594	215594	Handle w/Screws	1
2	215478	215478	Cup Sensor Switch Kit	1
3	215477	215477	Main Body	1
4	215479	215479	Torch Head Repair Kit	1
5	212735	212735	O-Ring, main body	1 (5 per pkg)
6	185833	185833	Switch Assembly (includes)	1
7	190220	190220	Trigger sSpring	1
8	215592	215592	Switch Trigger	1
9	215606	215606	Clip, Retaining	1
10	216309 (N/A)	223543 <sup>1</sup> (N/A)	Torch Lead, 25 ft (7.6 m)	1
	218045 (N/A)	223544 <sup>1</sup> (N/A)	Torch Lead, 50 ft (15.2 m)	1
11	—	227546	Fastener Stud	1
12	218177 (N/A)	—	Plug Assembly, quick disconnect	1
13	190497 (N/A)	—	Both Plastic Halves and Nut	1
14	187305	—	O-Ring, quick disconnect	2
<b>Consumables</b>				
15	212730	212730	Drag Shield	1
16	212733	212733	Retaining Cup	1
17	212725	212725	40 Amp Standard Tip	1 (5 per pkg)
18	212726	212726	80 Amp Standard Tip	1 (5 per pkg)
19	212724	212724	Electrode	1 (5 per pkg)
20	212734	212734	Swirl Ring	1
21	212735	212735	O-Ring	1 (5 per pkg)
22	212736	212736	Deflector	1
23	212729	212729	40 Amp Extended Tip	1 (5 per pkg)
24	212728	212728	80 Amp Extended Tip	1 (5 per pkg)
25	212731	212731	80 Amp Gouge Shield	1
26	212727	212727	80 Amp Gouge Tip	1 (5 per pkg)
	222942 <sup>2</sup>	222942 <sup>2</sup>	Consumable Kit (ICE-80T)	1
	253054	253054	Stand-off Guide	1
	253055	253055	Circle Cutting Guide	1

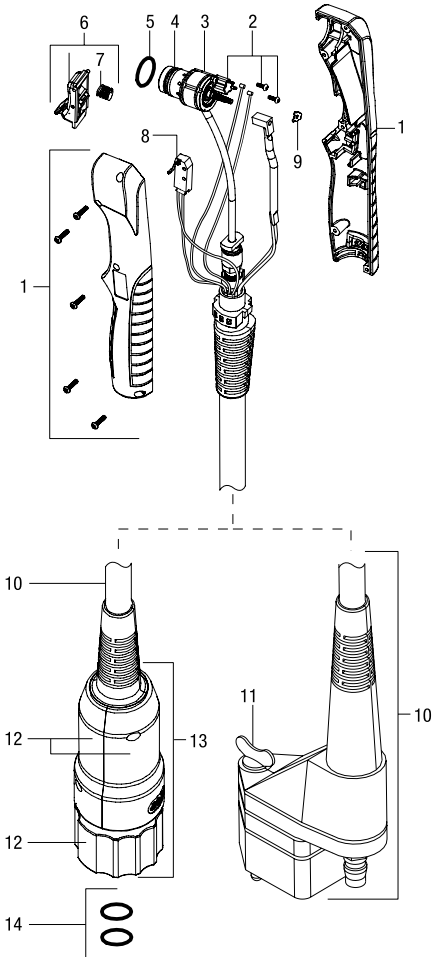
<sup>1</sup>Item #10 for ICE-80T is a combination unit that includes both torch lead and overmolded quick disconnect plug assembly.

<sup>2</sup>ICE-80T Consumable Kit includes (1) plastic case 127493, (1) drag shield 212730,

(1) retaining cup 212733, (3) tips 212726, (6) electrodes 212724,

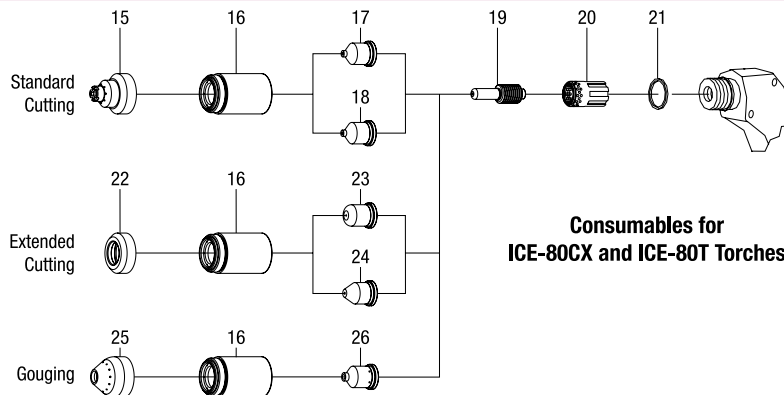
(2) extended tips 212728, (1) gouge shield 212731, (1) gouge tip 212727,

(3) o-rings 212735, and (1) silicon grease 252951.



ICE-80CX Torch

ICE-80T Torch



Consumables for  
ICE-80CX and ICE-80T Torches

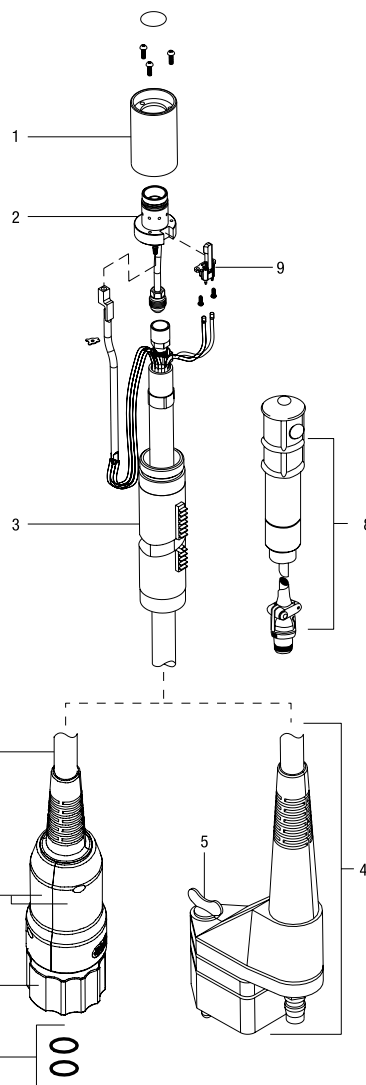
## ICE-80CXM/80TM

### Service Parts/Consumables

Item #	Part # ICE-80CXM	Part # ICE-80T	Description	Quantity
	216300	195223	Torch, 25 ft	1
	218044	195225 (195223)	Torch, 50 ft	1
1	215594	215594	Handle with screws	1
2	215478	215478	Cup Sensor Kit	1
3	215477	215477	Main Body	1
4	215479	215479	Torch Head Repair Kit	1
5	212735	212735	O-Ring, main body	1 (5 per pkg)
6	185833	185833	Switch Assembly (includes)	1
7	190220	190220	Trigger spring	1
8	215592	215592	Switch trigger	1
9	215606	215606	Clip, retaining	1
10	216309 (N/A)	223543 <sup>1</sup> (N/A)	Torch Lead, 25 ft (7.6 m)	1
	218045 (N/A)	223544 <sup>1</sup> (N/A)	Torch Lead, 50 ft (15.2 m)	1
11	—	227546	Fastener Stud	1
12	218177 (N/A)	—	Plug Assembly, quick disconnect	1
13	190497 (N/A)	—	Both Plastic Halves and Nut	1
14	187305	—	O-Ring, quick disconnect	2
<b>Consumables</b>				
15	212730	212730	Drag Shield	1
16	212733	212733	Retaining Cup	1
17	212725	212725	40 Amp Standard Tip	1 (5 per pkg)
18	212726	212726	80 Amp Standard Tip	1 (5 per pkg)
19	212724	212724	Electrode	1 (5 per pkg)
20	212734	212734	Swirl Ring	1
21	212735	212735	O-Ring	1 (5 per pkg)
22	212736	212736	Deflector	1
23	212729	212729	40 Amp Extended Tip	1 (5 per pkg)
24	212728	212728	80 Amp Extended Tip	1 (5 per pkg)
25	212731	212731	80 Amp Gouge Shield	1
26	212727	212727	80 Amp Gouge Tip	1 (5 per pkg)
	222942 <sup>2</sup>	222942 <sup>2</sup>	Consumable Kit (ICE-80T)	1
	253054	253054	Stand-off Guide	1
	253055	253055	Circle Cutting Guide	1

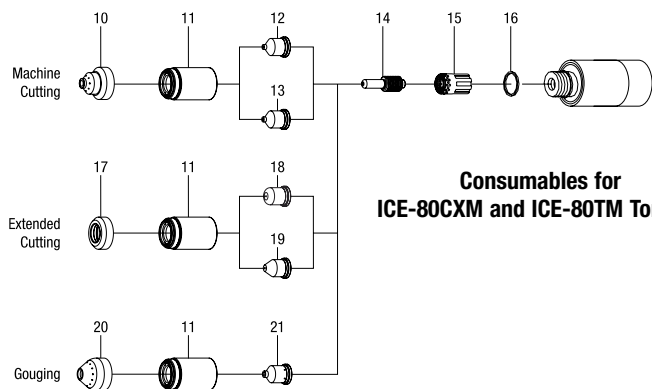
<sup>1</sup>Item #10 for ICE-80T is a combination unit that includes both torch lead and overmolded quick disconnect plug assembly.

<sup>2</sup>ICE-80T Consumable Kit includes (1) plastic case 127493, (1) drag shield 212730, (1) retaining cup 212733, (3) tips 212726, (6) electrodes 212724, (2) extended tips 212728, (1) gouge shield 212731, (1) gouge tip 212727, (3) o-rings 212735, and (1) silicon grease 252951.



ICE-80CXM Torch

ICE-80TM Torch



Consumables for  
ICE-80CXM and ICE-80TM Torches



226763  
Sense Tab



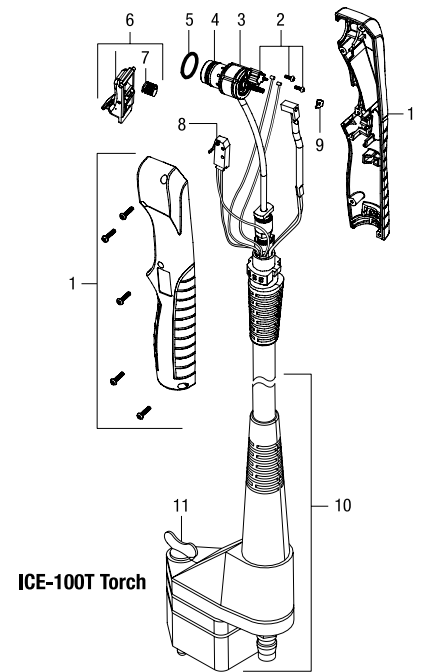
## ICE-100T & 100TM Service Parts/Consumables

Item #	Part # ICE-100T	Part # ICE-100TM	Description	Quantity
	225702	225706	Torch, 25 ft	1
	225704	225708 (N/A)	Torch, 50 ft	1
1	215594	—	Handle w/Screws	1
2	215478	215478	Cup Sensor Switch Kit	1
3	223774	223773	Main Body w/Switch	1
4	223775	223775	Torch Head Repair Kit	1
5	212735	—	O-Ring, Main Body	1 (5 per pkg)
6	185833	—	Switch Assembly (includes)	1
7	190220	—	Trigger Spring	1
8	215592	—	Switch Trigger	1
9	215606	—	Clip, Retaining	1
10	223612 <sup>1</sup> (N/A)	223614 <sup>1</sup> (N/A)	Torch Lead, 25 ft (7.6 m)	1
	223613 <sup>1</sup> (N/A)	223615 <sup>1</sup> (N/A)	Torch Lead, 50 ft (15.2 m)	1
11	227546	227546	Fastener Stud	1
12	—	215599	Torch Sleeve, ICE-80TM	1
13	—	215607 (N/A)	Sleeve, Torch Position	1
14	—	195513	Remote Pendant Control	1
	—	220240	Cable, Remote Control Trigger 25 ft	1
	—	220241	Cable, Remote Voltage Sense 26.5 ft	1
<b>Consumables</b>				
15	212730/219685 <sup>2</sup>	212732/219687 <sup>2</sup>	Drag/Machine Shield	1
16	212733/219684 <sup>2</sup>	212733/219684 <sup>2</sup>	Retaining Cup	1
17	212725	212725	40 Amp Standard Tip	1 (5 per pkg)
	219676	219676	60 Amp Standard Tip	1 (5 per pkg)
	212726	212726	80 Amp Standard Tip	1 (5 per pkg)
	219679 (N/A)	219679 (N/A)	100 Amp Standard Tip	1 (5 per pkg)
18	212724/219 678 <sup>2</sup>	212724/219678 <sup>2</sup>	Electrode	1 (5 per pkg)
19	212734/219 677 <sup>2</sup>	212734/219677 <sup>2</sup>	Swirl Ring	1
20	212735	212735	O-Ring	1 (5 per pkg)
21	212736	212736	Deflector	1
22	212729	212729	40 Amp Extended Tip	1 (5 per pkg)
	219682	219682	60 Amp Extended Tip	1 (5 per pkg)
	212728	212728	80 Amp Extended Tip	1 (5 per pkg)
	219683	219683	100 Amp Extended Tip	1 (5 per pkg)
23	212731	212731	Gouge Shield	1
24	219680	219680	60 Amp Gouge Tip	1 (5 per pkg)
25	—	226763	Sense Tab	1
	212727	212727	80 Amp Gouge Tip	1 (5 per pkg)
	219681	219681	100 Amp Gouge Tip	1 (5 per pkg)
	227037 <sup>3</sup> (N/A)	227037 <sup>3</sup> (N/A)	Consumable Kit (ICE-100T)	1
	253054	—	Stand-off Guide	1
	253055	—	Circle Cutting Guide	1

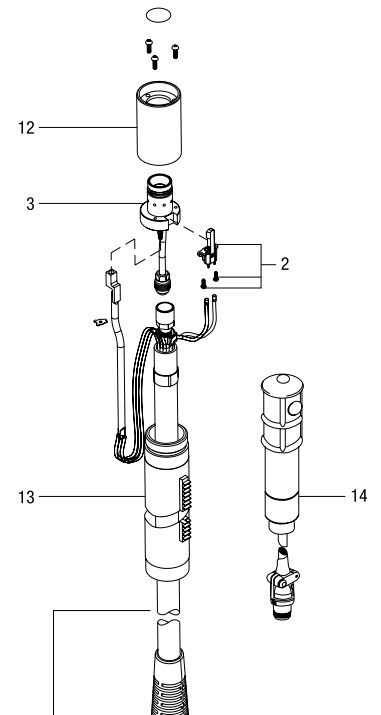
<sup>1</sup>Item #10 includes both torch lead and overmolded quick disconnect plug assembly.

<sup>2</sup>First number is for 40/60/80 Amp components and second number is for 100 Amp components.

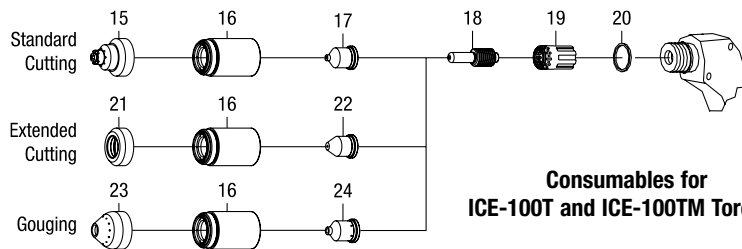
<sup>3</sup>ICE-100T Consumable Kit includes (1) plastic case 127493, (1) 100 A drag shield 219685, (1) 100 A retaining cup 219684, (3) 100 A tips 219679, (6) 100 A electrodes 219678, (2) 100 A extended tips 219683, (1) gouge shield 212731, (1) 100 A gouge tip 219681, (3) o-rings 212735, and (1) silicon grease 252951.



ICE-100T Torch



ICE-100TM Torch



Consumables for ICE-100T and ICE-100TM Torches

226763 Sense Tab



## Hoses and Hose Fittings

**Warning:** RMA-CGA Hose Standard specified R-grade hose must be used with acetylene only and T-grade hose with all fuel gases. Do not exceed the maximum working pressure listed for the hoses during oxy-fuel cutting, heating and welding.

### Pressure Hoses

Stock No.	Description	Hose Grade	Gas Service	Length	I.D. Size	Hose Inlet Connection		Compatible with
						To Regulator	To Equipment	
770133	Twin-Hoses	R-Grade	Acetylene only	50 ft. (15.2 m)	1/4 in. (6 mm)	9/16 in-18 "B"	9/16 in-18 "B"	Hobart Welding heavy-duty torch
RL1131	Twin-Hoses	R-Grade	Acetylene only	25 ft. (7.6 m)	1/4 in. (6 mm)	9/16 in-18 "B"	9/16 in-18 "B"	Smith Torch Series SC, DG, SW, CW, MW
770132	Twin-Hoses	R-Grade	Acetylene only	25 ft. (7.6 m)	1/4 in. (6 mm)	9/16 in-18 "B"	9/16 in-18 "B"	Hobart Welding heavy-duty torch
770130	Twin-Hoses	R-Grade	Acetylene only	25 ft. (7.6 m)	3/16 in. (5 mm)	9/16 in-18 "B"	9/16 in-18 "B"	Hobart Welding medium-duty torch
RL935	Twin-Hoses	R-Grade	Acetylene only	20 ft. (6.1 m)	3/16 in. (5 mm)	9/16 in-18 "B"	9/16 in-18 "B"	Smith Torch Series SC, DG, CW, MW
RA921	Twin-Hoses	R-Grade	Acetylene only	12-1/2 ft. (3.8 m)	3/16 in. (5 mm)	9/16 in-18 "B"	3/8 in-24 "A"	Smith Torch AW1
RL921	Twin-Hoses	R-Grade	Acetylene only	12-1/2 ft. (3.8 m)	3/16 in. (5 mm)	9/16 in-18 "B"	9/16 in-18 "B"	Smith Torch Series SC, DG, CW, MW
RL121	Single Hose	R-Grade	Acetylene only	12-1/2 ft. (3.8 m)	3/16 in. (5 mm)	9/16 in-18 "B"	9/16 in-18 "B"	Smith Handi-Heat NE180
770131	Twin-Hoses	T-Grade	All Gases	25 ft. (7.6 m)	1/4 in. (6 mm)	9/16 in-18 "B"	9/16 in-18 "B"	Hobart Welding heavy-duty torch
TRL1131	Twin-Hoses	T-Grade	All Gases	20 ft. (6.1 m)	1/4 in. (6 mm)	9/16 in-18 "B"	9/16 in-18 "B"	Smith Torch Series SC, DG, SW, CW, MW, AW10
14779-4-10	Twin-Hoses	Kevlar® Brazing	Acetylene only	10 ft. (3.1 m)	1/8 in. (3 mm)	9/16 in-18 "B"	3/8 in-24 "A"	Smith Torch AW1
7294-1	Single Hose	R-Grade Blk	Inert Gas	6 ft. (1.8 m)	1/4 in. (6 mm)	5/8 in-18 RH Male	5/8 in-18 RH Male	Flowgauges, Flowmeter Regulators
269815	Single Hose	Reinforced PVC Clear	Inert Gas	5 ft. (1.5 m)	3/16 in. (5 mm)	--	5/8 in-18 UNF Male	Flowgauge Regulator

Gas Service	Max Regulator Setting
Oxygen	150 psig
Acetylene	15 psig
Alternate Fuel Gases - Propane, Natural Gas & all others	40 psig



RL1131



RL121



RL935



TRL1131



14779-4-10



7294-1



RL260

### Charging Hose for HVAC purging application

Stock No.	Description	Hose Grade	Gas Service	Length	I.D. Size	Hose Inlet Connection		Compatible with Regulator
						To Regulator	To A/C Unit	
RL260	Single Hose	R-Grade	Nitrogen	"6 ft. (1.8 m)"	"1/4 in. (6 mm)"	7/16 in-20 RH Internal	7/16 in-20 RH with core	30-450-580 depress to open valve

### Hose Fittings

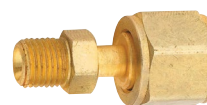
Stock No.	Description	Gas Service	Male Thread	Female Thread	Hose Connection
<b>Two-Hose Manifold</b>					
NE135B	Manifold to 2 hoses	Oxygen	--	--	9/16 in-18 "B"
NE136B	Manifold to 2 hoses	Fuel gas	--	--	9/16 in-18 "B"
<b>Hose Adapters</b>					
14389	"B" regulators to "A" hose	Oxygen	3/8 in-24 RH	9/16 in-18 RH	--
14390	"B" regulators to "A" hose	Fuel Gas	3/8 in-24 RH	9/16 in-18 RH	--
<b>Hose Coupler</b>					
770207	Pair of couplers	All Fuel	3/16 in. and 1/4 in. (5 mm and 6 mm)		9/16 in-18 "B"



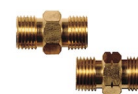
NE135B



NE136B



14389



770207

### Charging Hose for HVAC purging application

Stock No.	Description	Gas Service	Inlet Connection	Outlet Connection
H698	Reverse-flow Check Valves	Oxygen and Fuel	9/16"-18 LH and RH Internal	9/16"-18 LH and RH External
H753	Flashback Arrestors	Oxygen and Fuel	9/16"-18 LH and RH Internal	9/16"-18 LH and RH External



H698



H753





## Fixed-Flow Adapters

Designed for operations requiring fixed inert gas flows. Ideal for directly connecting to pipeline outlet but can be installed on regulator outlet too. See spec sheet #GE/31.0 at millerwelds.com on pressure setting (psig) for each adapter.

Stock No.	Description	Male Thread	Female Thread	Orifice Diameter
H1400-20	20 SCFH Flow Adapter	1/4 in NPT	5/8 in-18 UNF	0.026
H1400-30	30 SCFH Flow Adapter	1/4 in NPT	5/8 in-18 UNF	0.032
H1400-40	40 SCFH Flow Adapter	1/4 in NPT	5/8 in-18 UNF	0.037
H1400-50	50 SCFH Flow Adapter	1/4 in NPT	5/8 in-18 UNF	0.042

## Fixed-Flow Surge Protectors

Designed to eliminate sudden surges of shielding gas into the wire feeder. Ideal for directly connecting to the welder or wire feeder. See spec sheet #GE/31.0 at millerwelds.com on pressure setting (psig) for each surge protector.

Stock No.	Description	Male Thread	Female Thread	Orifice Diameter
15001-20	20 SCFH Surge Protector	5/8 in-18 UNF	5/8 in-18 UNF	0.026
15001-40	40 SCFH Surge Protector	5/8 in-18 UNF	5/8 in-18 UNF	0.032
15001-30	30 SCFH Surge Protector	5/8 in-18 UNF	5/8 in-18 UNF	0.037

## Gauges

Pressure gauges (PSI/Bar) and Flow gauges (SCFH/LPM) have dual scale readings with large fonts. Gauges have 1-inch stem with 1/4-inch (6 mm) NPT seal at the bottom.

Stock No.	Description	Pressure Calibration	Diameter	Compatible with Regulators
GA026-07	Brass Case, Red Zone	30 psig / 2 bar	2.5 inch (64 mm)	Series 40 Acetylene
GA029-07	Brass Case	60 psig / 4 bar	2.5 inch (64 mm)	Series 40 Alternate Fuel
GA033-07	Brass Case	200 psig / 14 bar	2.5 inch (64 mm)	Series 40 Oxygen
GA037-07	Brass Case	400 psig / 28 bar	2.5 inch (64 mm)	Series 40, 46 Oxygen
GA043-07	Brass Case	4000 psig / 280 bar	2.5 inch (64 mm)	Series 40, 16347
GA066-07	Stainless Steel Chrome	6000 psig	2.5 inch (64 mm)	SpecGas High Pressure
GA068-07	Stainless Steel Chrome	10000 psig	2.5 inch (64 mm)	SpecGas High Pressure
GA075-15	Black Steel, Back Mount	4000 psig / 280 bar	1.5 inch (38 mm)	Flowmeter Reg H2051
GA134-03	Black Steel, Red Zone	30 psig / 2 bar	2.0 inch (51 mm)	Series 30 Acet
GA135-03	Black Steel	60 psig / 4 bar	2.0 inch (51 mm)	Series 30 Alt Fuel
GA137-03	Black Steel	150 psig / 10 bar	2.0 inch (51 mm)	Series 30 Oxy/H2
GA138-03	Black Steel	400 psig / 28 bar	2.0 inch (51 mm)	Series 30 Fuel
GA139-03	Black Steel	4000 psig / 280 bar	2.0 inch (51 mm)	Series 22, 30, 31,35
GA140-03	Black Steel	200 psig / 14 bar	2.0 inch (51 mm)	Series 30
GA141-03	Black Steel	30 psig / 2 bar	2.0 inch (51 mm)	Series 30
GA142-03	Black Steel	600 psig / 41 bar	2.0 inch (51 mm)	Series 30 Purge
GA143-03	Black Steel	100 psig / 7 bar	2.0 inch (51 mm)	
GA145-03	Black Steel	6000 psig / 414 bar	2.0 inch (51 mm)	
16266	W/ Electronic Alarm	4000 psig / 280 bar	2.5 inch (64 mm)	16347-3
770128	Brass Case	200 psig / 1400 kPa	2.0 inch (51 mm)	Oxygen
770127	Brass Case	30 psig / 200 kPa	2.0 inch (51 mm)	770504,770622,770687
770126	Brass Case	4000 psig / 28000 bar	2.0 inch (51 mm)	770503
770125	Brass Case	400 psig / 2800 kPa	2.0 inch (51 mm)	770504,770622,770687

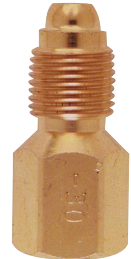
Stock No.	Description	Flow	Diameter	Compatible with
GA136-03	Black Steel	25 lpm / scfh	2.0 inch (51 mm)	Flowgauge Reg

## Repair Parts

Stock No.	Description	For Repair of Regulators
16070-1	Filter Seat Assembly, MD	Series 30, 22, 35
15811-2	Filtered Seat Assembly	SpecGas, Series 40
15001-30	30 SCFH Surge Protector	5/8 in-18 UNF



H140020



15001-30



GA026-07



GA043-07



GA068-07



GA137-03



16266



770128



GA136-03



16070-1

15811-2

## Repair Parts

### "O" Ring Replacements

Stock No.	Use with Welding/Heating Tips/Cutting Assemblies
AW15	AW Series Welding Tips / AT Series Heating Tips / AC309 Cutting Assembly / NE180 Series Air-Acetylene Tips
MW15	MW Series Welding Tips / MT Series Heating Tips / DG109A, MC509, MC505 & CC509P Cutting Assemblies
LW15	SW Series Welding Tips / ST Series Heating Tips / DG209, DG205, DG200, SC209, SC205, SC200 Cutting Assemblies

NOTE: 25 per package.

### Hand-Held Oxy-Fuel Torch Parts

Stock No.	Use with Torches
15772	DG900 & SC900 Series
SC100	DG100, 200 & 300 Series; SC100, 200,300 Series
H743	Torch Mount Oxy-Fuel Flashback Arrestor Set
H697	Torch Mount Oxy-Fuel Check Valve Set

### Cutting Assembly Repair Kits

Stock No.	Use with Cutting Assemblies
SC101	Heavy Duty DG200 & SC Series
MC101	Medium Duty DG100 & MC Series

### Oxy-Fuel Torch Valves and Adapters

Stock No.	Use with Torch Handles & Hand Cutting Torches (2 valves per kit)
LW17	WH100, MW5, MW5A, SW2, CW5A & AW10A
G729-5A	WH200, WH200A, SW1A, SW1B Series, 780 Series Machine Torch
AW11A	AW1A
LW14B-1	DG900, DG200, SC200, SC900 Series Hand Torches, 770 Series Machine Torches, SW1 Series Torch Handles

Stock No.	Use with Cutting Assemblies (2 valves per kit)
G690-8	MC509, CC509P, AC309, MC505
G900-41A	<b>Use with All SC Series Hand and Machine Torches &amp; Cutting Torch Assemblies</b> SC900 Series, SC772A, SC782A, SC781A, SC780A, SC771, SC770, SC509, SC300 Series Torches, SC300 Series Torches, SC100 Series Torches, SC300 Cutting Assembly
15555	<b>Use with All Heavy Duty Dual Guard Hand Torch &amp; Cutting Assemblies</b> DG900 Series, DG209 Cutting Assembly, DG205 Cutting Assembly, DG300 Series, DG200 Series, DG100 Series
15720-1	<b>Use with DG109A Cutting Assembly - DG109A</b>



15772



SC100



H743



H697



SC101



G729-5A  
LW14B-1



LW17



AW11A



Cutting Tip Seat Graphite® Packing Replacements	(1 Set Per Bag)
G691	"MC" Cutting Tips
G930	"SC" Cutting Tips



Torch Head Replacement Nut (Tip Nut)



## Smith Equipment®

### Air/Acetylene Torch & Tips



**NE180A**  
Length-5-3/8"(130mm)  
Weight 8-1/4 oz.

**NE180A Torch Handle  
1 Year Warranty**  
Use with acetylene gas. Machined from solid, brass. Hose connections 9/16"-18 LH thread, "B". Fits R12 or R14D hose Connections.

**NE180A Torch Handle  
1 Year Warranty**  
Burns acetylene with atmospheric air. Ideal for sweating copper joints up to 6" (152mm) in diameter, soldering, leading, thawing, heating and straightening.

### Air/Acetylene Tips



**NE180-4**  
Length-8" (230mm)  
Weight 3-1/2 oz.

**NE180-4 Extra Large Tip**  
Use for fast paint burning, heavy soldering and heating. Replacement Orifice No. L704-6



**NE180-3**  
Length 7-5/8" (203mm)  
Weight 3-1/4 oz.

**NE180-3 Large Tip**  
Use for pipe thawing, light brazing and silver soldering. Replacement Orifice No. L703-6



**NE180-2**  
Length 6-7/8" (175mm)  
Weight 2-1/2 oz.

**NE180-2 Medium Tip**  
For all types of soft soldering, body leading, etc. Replacement Orifice No. L702-6



**NE180-1**  
Length 6-1/8" (156mm)  
Weight 1-7/8 oz.

**NE180-1 Small Tip**  
For fine instrument work, auto radiators, etc. Replacement Orifice No. L701-6



**NE180-0**  
Length 4-3/4" (121mm)  
Weight 1-3/4 oz.

**NE180-0 Fine Tip**  
For jewelry, small tube and electronics soldering. Replacement Orifice No. L711-6



**NE180-00**  
Length 4-3/4" (121mm)  
Weight 1-3/4 oz.

**NE180-00 Super Fine Tip**  
For delicate jewelry and electronic soldering. Replacement Orifice No. L710-6



- No oxygen tank needed
- Clean, economical heat
- No wrench needed-tips are hand tightened
- One-handed flame adjustment
- 360 degree Tip turning radius
- Tough all brass body
- Smooth turning needle valve
- Rugged tips
- Nickel plated for added heat resistance
- Fuel pressure setting: 12-14 PSIG

Tip No	Flame Opening		Flame Inner Cone Length		Consumption SCFH	BTU Output
	Inch	mm	Inch	mm		
NE180-4	3/8"	10	1-3/4"	45	22.8	32,900
NE180-3	1/4"	6	1-1/2"	38	9	13,000
NE180-2	3/16"	5	1-1/4"	32	5.2	7,500
NE180-1	9/64"	3.6	3/4"	19	2.8	4,000
NE180-0	3/32"	2.4	1/4"	6	1.5	2,200
NE180-00	1/16"	1.7	1/8"	3	0.5	720



## Portable Engine Drive Tune-Up Components

Engine Drive	Engine Model	Machine Kill Date	Tune-Up Kit #	Oil Filter #	Air Filter #	Air Filter Pre-Cleaner #	Spark Plug #	Battery
Blue Charger™	Onan Performer P218	July 2008	137046	065251	064617	065653	065709 (2) (137046)	GP 58
Blue Charger™ NT	Onan Performer P218	—	137046	065251	064617	065653	065709 (2) (137046)	GP 58
Blue Star® 145	Kohler CS10TG	February 2012	221581	—	221579 (221581)	221580 (221581)	203960 (264325)	—
Blue Star® 145 DX	Kohler CS10STG	May 2015	221584	—	221582	221583 (221584)	203960 (264325)	GP U1
	Yamaha MZ300		258078	—	258077	—	203960 (264325)	GP U1
Blue Star® 185	Honda GX390	February 2010	220305	—	220303 <sup>12</sup>	—	190108 (220305)	—
Blue Star® 185 (ME330051R)	Kohler CH440	February 2010	268469	—	268468	—	268467	GP U1
Blue Star® 185 DX	Kohler CS12STG	October 2014	221584	—	221582	221583 (221584)	203960 (264325)	GP U1
	Yamaha MZ360		258078	—	258077	—	203960 (264325)	GP U1
Blue Star® 3500	Honda GX270	October 2004	—	—	190109	—	190108 (220305)	U1
	Kohler Command CS8.5TG		—	—	203952	203954	203960 (264325)	—
Blue Star® 6000	Honda GX390	October 2004	—	—	220303	220304 (N/A)	190108 (220305)	U1
	Kohler Command CS12STG		—	—	203952	203954	203960 (264325)	—
Bobcat™ 200 AirPak™	Kohler CH730 with eChoke™	June 2019	230015	066698	230016	230017	067007	Group 51R
Bobcat™ 225/250 (Rear Engine)	Kohler Command CH23/CH680	—	230015	066698	230016	230017	067007 (2)	GP 58
	Kohler Command CH20		180096	066698	067272	—	067007 (2)	GP 58
	Kohler Command CH730LP		180096	066698	067272	—	067007 (2)	GP 58
	Robin EH 64/65		199062	198754	198755	With Air Filter	198777 (2) (199062)	GP 58
Bobcat™ 250EFI (Rear Engine)	Kohler Command ECH730	February 2012	246115	066698	230016	230017	067007 (2)	GP 58
Bobcat™ 3 Phase (Front Engine)	Kohler Command CH23/CH680	February 2012	230015	066698	230016	230017	067007 (2)	GP 58
	Kohler Command CH20		180096	066698	067272	—	067007 (2)	GP 58
	Kohler Command CH730LP		180096	066698	067272	—	067007 (2)	GP 58
Bobcat™ 225/250 (Front Engine)	Kohler Command CH730	April 2020	230015	066698	230016	230017	067007 (2)	GP 58
	Kohler CH730LP		252838 (290806)	066698	067272	—	067007 (2)	GP 58
	Subaru EH65	November 2014	199062	198754	198755	With Air Filter	198777 (2) (199062)	GP 58
Bobcat™ 250EFI (Front Engine)	Kohler Command ECH730	April 2020	246115	066698	230016	230017	067007 (2)	GP 58
Bobcat™ 3 Phase (Front Engine)	Kohler Command CH730	February 2012	230015	066698	230016	230017	067007 (2)	GP 58
Bobcat™ 225D/225D Plus	Deutz/Rugg. MD-151	—	—	066702	066843	066842	—	(See note <sup>4</sup> )
Bobcat™ 225G/225G Plus	Onan Performer P-216	December 2001	137046	065251	064617	065653	065709 (2) (137046)	(See note <sup>5</sup> )
Bobcat™ 225G Plus	Kohler Command CH18	December 2001	180096	066698	067272	—	067007 (2)	GP 58
Bobcat™ 225 NT	Kohler Command CH18/CH20	September 2007	180096	066698	067272	—	067007 (2)	GP 58
	Onan Performer P-216		137046	065251	064617	065653	065709 (2) (137046)	GP 58
Bobcat™ 250 NT	Kohler Command CH20	September 2004	180096	066698	067272	—	067007 (2)	GP 58
	Onan Performer P-220		137046	065251	064617	065653	065709 (2) (137046)	GP 58
	Onan Performer OHV220/Robin		199062	198754	198755	With Air Filter	198777 (2) (199062)	GP 58
Bobcat™ 225/260 w/Remote Start/Stop	Kohler Command CH730 with eChoke™		230015	066698	230016	230017	067007 (2)	GP 58
Bobcat™ 260 LP	Kohler Command CH730LP		252838 (290806)	066698	067272	067273	067007 (2)	GP 58
Bobcat™ 260 EFI w/Remote Start/Stop	Kohler Command ECH730		284083	066698	230016	230017	067007 (2)	GP 58

<sup>1</sup>Prior to serial number KG045632 use 065629. Effective with serial number KG045632 use 067283.  
<sup>2</sup>Prior to serial number KF926822 use 107297. Effective with serial number KF926822 use 164353.  
**Note: Number in (parenthesis) following the order number denotes quantity needed of particular component.**

<sup>3</sup>Prior to JB482410 = U1.  
<sup>4</sup>D=GP 24; DPlus=GP 58.  
<sup>5</sup>G=GP U1; GPlus=GP 58.  
<sup>6</sup>Prior to KF959177=24.  
<sup>7</sup>250=GP 24; 251=GP 58.

<sup>8</sup>Effective with LG070820.  
<sup>9</sup>Effective with LG071468.  
<sup>10</sup>Effective with LG073969.  
<sup>11</sup>Effective with LG074229.  
<sup>12</sup>220303 comes with pre-cleaner already installed on the Air Filter



## Portable Engine Drive Tune-Up Components

Engine Drive	Engine Model	Machine Kill Date	Fuel Filter #	Fuel Pump #	Fuel Cap #	Voltage Regulator #	Muffler Gasket #	Muffler #
Blue Charger™	Onan Performer P218	July 2008	237857	—	220711*	064846	065313 (2)	(See note <sup>1</sup> )
Blue Charger™ NT	Onan Performer P218	—	237857	—	220711*	064846	065313 (2)	183434
Blue Star® 145	Kohler CS10TG	February 2012	—	—	203955	—	203959	203958 (N/A)
Blue Star® 145 DX	Kohler CS10STG	May 2015	—	—	220711	—	203959	218411
	Yamaha MZ300		264220	—	220711	—	203959	218411
Blue Star® 185	Honda GX390	February 2010	—	—	198522	—	—	—
Blue Star® 185 (ME330051R)	Kohler CH440	February 2010	246110	—	250210	—	273877	267157
Blue Star® 185 DX	Kohler CS12STG	October 2014	—	—	220711	—	203959	218411
	Yamaha MZ360		264220	—	220711	—	203959	218411
Blue Star® 3500	Honda GX270	October 2004	—	—	198522	—	—	—
	Kohler Command CS8.5TG		—	—	203955	—	203959	203958 (N/A)
Blue Star® 6000	Honda GX390	October 2004	—	—	198522	—	—	—
	Kohler Command CS12STG		—	—	203955	—	203959	203958 (N/A)
Bobcat™ 200 AirPak™™	Kohler CH730 with eChoke™	June 2019	215984	283834	280001	190249	283740	274615 - Prior MH490414R 279407 - Eff. MH490414R
Bobcat™ 225/250 (Rear Engine)	Kohler Command CH23/CH680	February 2012	215984	190248	220711*	190249	189477 (2)	228681
	Kohler Command CH20		215984	190248	220711	190249	189477 (2)	228681
	Kohler Command CH730LP		—	—	—	190249	189477 (2)	228681
	Robin EH 64/65		237857	198756	220711	198778	217441 (2)	228680
Bobcat™ 250EFI (Rear Engine)	Kohler Command ECH730	February 2012	246110	190248	220711*	244143	189477 (2)	245396
			246112					
Bobcat™ 3 Phase (Rear Engine)	Kohler Command CH23/CH680	February 2012	215984	190248	220711*	190249	189477 (2)	228681
	Kohler Command CH20		215984	190248	220711	190249	189477 (2)	228681
	Kohler Command CH730LP		—	—	—	190249	189477 (2)	228681
Bobcat™ 225/250 (Front Engine)	Kohler Command CH730	April 2020	215984	190248	220711*	190249	189477 (2)	249313
	Kohler CH730LP		—	—	—	190249	189477 (2)	249313
	Subaru EH65	November 2014	237857	198756	220711*	198778	261651 (2)	249314
Bobcat™ 250EFI (Front Engine)	Kohler Command ECH730	April 2020	246110	190248	220711*	244143	189477 (2)	249741
			246112	—	—	—	—	—
Bobcat™ 3 Phase (Front Engine)	Kohler Command CH730	February 2012	215984	190248	220711*	190249	189477 (2)	249313
Bobcat™ 225D/225D Plus	Deutz/Rugg, MD-151	December 2001	066893	—	220711	—	—	—
Bobcat™ 225G/225G Plus	Onan Performer P-216	December 2001	237857	—	220711	064846	065313 (2)	107297/164 353 (Plus)
Bobcat™ 225G Plus	Kohler Command CH18	December 2001	215984	190248	220711	190249	189477 (2)	173065 (N/A)
Bobcat™ 225 NT	Kohler Command CH18/CH20	September 2007	215984	190248	220711	190249	189477 (2)	183435
	Onan Performer P-216		237857	—	220711	064846	065313 (2)	183434
Bobcat™ 250 NT	Kohler Command CH20	September 2004	215984	190248	220711	190249	189477 (2)	183435
	Onan Performer P-220		237857	—	220711	064846	065313 (2)	183434
	Onan Performer OHV220/Robin		237857	198756	220711	198778	065313 (2)	204841
Bobcat™ 225/260 w/Remote Start/Stop	Kohler Command CH730 with eChoke™		215984	190248	—	190249	189477 (2)	249313
Bobcat™ 260 LP	Kohler Command CH730LP		—	—	—	190249	189477 (2)	249313
Bobcat™ 260 EFI w/Remote Start/Stop	Kohler Command ECH730		283614 (284083)	190248	220711*	244143	189477 (2)	249741

<sup>1</sup> Prior to serial number KF926822 use 107297. Effective with serial number KF926822 use 164353.

<sup>2</sup> Prior to serial number MD210321R use 187428. Effective with serial number MD210321R use 257881.  
Note: Number in (parenthesis) following the order number denotes quantity needed of particular component.

\*Gas tanks are EPA compliant starting 2012 week 10 (March 5, 2012).  
Contact Factory Service Department to ensure correct fuel cap is ordered.

## Portable Engine Drive Tune-Up Components

Engine Drive	Engine Model	Machine Kill Date	Tune-Up Kit #	Oil Filter #	Air Filter #	Air Filter Pre-Cleaner #	Spark Plug #	Battery
Bobcat™ 250 D NT	Kubota D722FB-25	February 2012	206421	187443	187441	—	—	GP 58
Bobcat™ 250 Diesel	Kubota D722FB-25	February 2012	206421	187443	187441	—	—	GP 58
Bobcat™ 250 Diesel (MD210321R)	Kubota D722	April 2020	259935	187443	258349	—	—	GP 58
Bobcat™ 260 Diesel w/Remote Start/Stop	Kubota D722		259935	187443	258349	—	—	GP 58
	Kohler Command CH20/CH730		180096	066698	067272	067273	067007(2)	GP 58
Fusion 160	Kohler CH440		268469	224831	268468	—	268467	GP 41
Miller Legend®	Onan Performer P-218		137046	065251	064617	065653	065709(2) (137046)	GP 58 <sup>6</sup>
Miller Legend® NT	Onan Performer P-218	October 2004	137046	065251	064617	065653	065709(2) (137046)	GP 58
Miller Legend® 301 G/302	Kohler Command CH23	June 2009	230015	066698	230016	230017	067007(2)	GP 58
	Kohler Command CH20		180096	066698	067272	067273	067007(2)	GP 58
Renegade™ 180	Kohler 8.5, CS10, 12.0	February 2012	221581	—	221579 (221581)	221580 (221581)	203960 (264325)	GP U1
Trailblazer® 250G/251	Onan Performer P-220	December 2002	137046	065251	064617	065653	065709(2) (137046)	(See note <sup>8</sup> )
Trailblazer® 251 NT	Onan Performer P-220	December 2002	137046	065251	064617	065653	065709(2) (137046)	GP 58
Trailblazer® 275 DC/302	Kohler Command CH23 <sup>11</sup>	October 2012	230015	066698	230016	230017	067007(2)	GP 58
	Kohler Command CH20/CH730		180096	066698	067272	067273	067007(2)	GP 58
	Robin EH 64/65		199062	198754	198755	With Air Filter	198777(2) (199062)	GP 58
Trailblazer® 275 DC/302	Kohler Command CH23/CH680	October 2012	230015	066 698	230016	230017	067007(2)	GP 58
Trailblazer® 275 DC/302 EFI	Kohler Command ECH730	September 2012	246115	066 698	230016	230017	067007(2)	GP 58
Trailblazer® 275/325	Kohler Command CH730 w/e-gov	December 2017	230015	066 698	230016	230017	067007(2)	GP 58
	Kohler Command CH730LP w/e-gov		252838 (290806)	066 698	067272	067273	067007(2)	GP 58
Trailblazer® 275/325 EFI	Kohler Command ECH730 w/e-gov	September 2012	246115	066698	230016	230017	067007(2)	GP 58
Trailblazer® 280 NT	Kohler Command CH20	April 2004	180096	066698	067272	067273	067007(2)	GP 58
	Onan Performer P-220		137046	065251	064617	065653	065709(2) (137046)	GP 58
Trailblazer® DC/301 G	Kohler Command CH20	September 2004	180096	066698	067272	067273	067007(2)	GP 58
Trailblazer® 301 G	Onan Performer P-220	September 2004	137046	065251	064617	065653	065709(2) (137046)	GP 58
	Onan Performer OHV220/Robin		199062	198754	198755	With Air Filter	198777(2) (199062)	GP 58
Trailblazer® 300 D NT/301 D	Kubota D722FB-25	October 2005	206421	187443	187441	—	—	GP 58
Trailblazer® 302 Diesel	Kubota D722FB-25	January 2011	206421	187443	187441	—	—	GP 58
Trailblazer® 302 AirPak™	Kohler CH750		238743 (290803)	066698	238744	238745	238746(2)	GP51R
Trailblazer® 325 Diesel	Kubota D902		259935	187443	258349	—	—	GP 58
Wildcat® 200	Subaru	January 2012	240585	—	240597	—	240598(2) (240598)	GP U1

<sup>1</sup>Prior to serial number KG045632 use 065629. Effective with serial number KG045632 use 067283.

<sup>2</sup>Prior to serial number KF926822 use 107297. Effective with serial number KF926822 use 164353.

Note: Number in (parenthesis) following the order number denotes quantity needed of particular component.

<sup>3</sup>Prior to JB482410 = U1.

<sup>4</sup>D=GP 24; DPlus=GP 58.

<sup>5</sup>G=GP U1; GPlus=GP 58.

<sup>6</sup>Prior to KF959177=24.

<sup>7</sup>250=GP 24; 251=GP 58.

<sup>8</sup>Effective with LG070820.

<sup>9</sup>Effective with LG071468.

<sup>10</sup>Effective with LG073969.

<sup>11</sup>Effective with LG074229.



## Portable Engine Drive Tune-Up Components

Engine Drive	Engine Model	Machine Kill Date	Fuel Filter #	Fuel Pump #	Fuel Cap #	Voltage Regulator #	Muffler Gasket #	Muffler #
Bobcat™ 250 D NT	Kubota D722FB-25	February 2012	187442	—	220711	187821	189766	187428
Bobcat™ 250 Diesel	Kubota D722FB-25	February 2012	187442	—	220711	187821	189766	187428
Bobcat™ 250 Diesel (MD210321R)	Kubota D722	April 2020	213858, 259934	—	220711	—	192517	257880
Bobcat™ 260 Diesel w/ Remote Start/Stop	Kubota D722		213858, 259934	—	220711	—	192517	2577880
Fusion 160	Kohler CH440		246110	—	250210	—	273877	267157
Miller Legend®	Onan Performer P-218	October 2004	237857	—	220711	064846	065313 (2)	(See note <sup>2</sup> )
Miller Legend® NT	Onan Performer P-218	October 2004	237857	—	220711	064846	065313 (2)	183434
Miller Legend® 301 G/302	Kohler Command CH23	February 2011	215984	190248	220711	190249	189477 (2)	207458
	Kohler Command CH20		215984	190248	220711	190249	189477 (2)	207458
Renegade™ 180	Kohler 8.5, CS10, 12.0	December 2002	—	—	203955	—	203959	(See note <sup>1</sup> )
Trailblazer® 250G/251	Onan Performer P-220	December 2002	237857	—	220711	064846	065313 (2)	(See note <sup>2</sup> )
Trailblazer® 251 NT	Onan Performer P-220	December 2002	237857	—	220711	064846	065313 (2)	183434
Trailblazer® 275 DC/302	Kohler Command CH23	October 2012	215984	190248	220711	190249	189477 (2)	228681
	Kohler Command CH20/CH730		215984	190248	220711	190249	189477 (2)	228681
	Robin EH 64/65		215984	198756	220711	198778	217441 (2)	228680
Trailblazer® 275 DC/302	Kohler Command CH23/CH680	October 2012	215984	190248	220711*	190249	189477 (2)	228681
Trailblazer® 275 DC/302 EFI	Kohler Command ECH730	September 2012	246110, 246112	190248	220711*	190249	189477 (2)	245396
Trailblazer® 275/325	Kohler Command CH730 w/e-gov	December 2017	215984	190248	255707	244143	189477 (2)	249313
	Kohler Command CH730LP w/e-gov		—	190248	—	244143	189477 (2)	249313
Trailblazer® 275/325 EFI	Kohler Command ECH730 w/e-gov	September 2012	246110, 246112	190248	255707	244143	189477 (2)	249741
Trailblazer® 280 NT	Kohler Command CH20	April 2004	215984	190248	220711	190249	189477 (2)	183435
	Onan Performer P-220		237857	—	220711	064846	065313 (2)	183434
Trailblazer® DC/301 G	Kohler Command CH20	September 2004	215984	190248	220711	190249	189477 (2)	183435
Trailblazer® 301 G	Onan Performer P-220	September 2004	237857	—	220711	064846	065313 (2)	183434
	Onan Performer OHV220/Robin		237857	198756	220711	198778	065313 (2)	204841
Trailblazer® 300 D NT/301 D	Kubota D722FB-25	October 2005	213858	—	220711	187821	189766	187428
Trailblazer® 302 Diesel	Kubota D722FB-25	January 2011	213858	—	220711	187821	189766	187428
Trailblazer® 302 AirPak™	Kohler CH750		215985	190248	220711	244143	189477	235107
Trailblazer® 325 Diesel	Kubota D902		213858, 187442	—	220711	—	192517	257880
Wildcat® 200	Subaru	January 2012	241408	246926	220711	241434	246923	237720

<sup>1</sup>Prior to serial number KG045632 use 065629. Effective with serial number KG045632 use 067283.

<sup>2</sup>Prior to serial number KF926822 use 107297. Effective with serial number KF926822 use 164353.

Note: Number in (parenthesis) following the order number denotes quantity needed of particular component.

\*Gas tanks are EPA compliant starting 2012 week 10 (March 5, 2012).

Contact Factory Service Department to ensure correct fuel cap is ordered.

Engine Drive	Engine Model	Machine Kill Date	Fuel Filter #	Fuel Pump #	Fuel Cap #	Compressor Tune-Up Kit #	Muffler #	Engine Tune-Up Kit #
Bobcat™ 200 AirPak™	Kohler EFI ECH730		246112	283834	280001	275644	283741	284119 (290802)
Bobcat™ 200 AirPak™ Diesel	Kubota D722		213858, 259934	239311	220711	275644	281681	284101
EnPak® A28	Kohler CH730-3220	April 2019	215985	190248	220711	(See note <sup>3</sup> )	274615	230015
EnPak® A30 Gas	Kohler ECH730-3084		246112	283834	220711	275644	283741	284119
EnPak® A30 Diesel	Kubota D722		259934	260989	220711	275644	281681	284101
EnPak® Mechanic Series	Kubota D1105	April 2019	207715	239311	220711	279120	239077	249288
EnPak® A60	Kubota D902		259934	260989	220711	279123	239077	262701
Trailblazer® 302 AirPak™	Kohler CH750		—	—	220711	279120	—	238743 (290803)

<sup>3</sup>Prior to serial number MH490414R use 275644.

## Portable Engine Drive Service Parts

*Note: Number in parenthesis following the order number denotes quantity needed of particular component.*

Model	Serial # Effective	Engine Model	Machine Kill Date	Ignition/ Start Switch #	Brushes/ Brush Assy #	Idle Solenoid #	230 Volt Plug #	Rheostat/ Pot #	Module (Idle) #
Blue Charger™	JJ377166	Onan	July 2008	172070	126984 (3)	106977	—	081712	142725
Blue Charger™ NT	KH477915	Onan	—	176606	126984 (3)	186308	119172	081712	See manual
Blue Star® 145/145 DX	LE366434	Kohler	February 2012	Engine Mfg	493509 (1)	218794	213380	241165	201936
Blue Star® 185/185 DX	LE366294	Honda/Kohler	January 2012	Engine Mfg	493509 (1)	218794	213380	241165	201936
Blue Star® 3500	KH519597	Honda/Kohler	October 2004	Engine Mfg	493509 (1)	—	—	494618 (N/A)	—
Blue Star® 6000	KH467216	Honda/Kohler	October 2004	Engine Mfg	493509 (1)	—	—	See manual	—
Bobcat™ 200 AirPak™	MK021121R	Kohler CH730 with eChoke™	June 2019	217680	493509	—	119172	—	—
Bobcat™ 225	LE294172	Kohler/Robin	February 2012	217680	205725 (1)	Engine Mfg	119172	233060	201936
Bobcat™ 225D	KB032454	Deutz/Rugg.	December 2001	172070	126984 (2)	149618	119172	205839	142725
Bobcat™ 225D Plus	KG076022	Deutz/Rugg.	December 2001	176606	See manual	See manual	119172	205839	See manual
Bobcat™ 225G	JK561993	Onan	December 2001	172070	126984 (2)	151485	119172	205839	189742
Bobcat™ 225G Plus	KE582332	Kohler	December 2001	176606	126984 (2)	199530	119172	205839	189742
		Onan		See manual	126984 (2)	165810	119172	205839	189742
Bobcat™ 225 NT	KH329624	Kohler	September 2004	See manual	See manual	See manual	119172	See manual	See manual
		Onan		See manual	See manual	See manual	119172	See manual	See manual
Bobcat™ 250	LE237205	Kohler/Robin	February 2012	217680	205725 (1)	Engine Mfg	119172	233060	201936
Bobcat™ 250 NT	LB097734	Kohler	February 2006	See manual	See manual	199530	119172	233060	201936
		Onan/Robin		See manual	See manual	See manual	119172	233060	201936
Bobcat™ 250 D NT	LC357432	Kubota	September 2004	See manual	205725 (1)	248995	119172	233060	212062
Bobcat™ 3 Phase	LE295787	Kohler	February 2012	See manual	205725 (1)	Engine Mfg	119172	233060	201936
Fusion 160	—	—	August 2019	217680	493509	—	—	279547	—
Miller Legend®	JH242114	Onan	October 2004	172070	126984 (3)	106977	See manual	081712	142725
Miller Legend® NT	KH329624	Onan	October 2004	176606	126984 (3)	See manual	119172	081712	See manual
Miller Legend® 301G	KH329624	Kohler	October 2004	176606	205725 (1)	Engine Mfg	119172	See manual	—
Miller Legend® 302	KH329624	Kohler	June 2009	217680	205725 (1)	Engine Mfg	119172	See manual	—
Trailblazer® 250G	JG018501	Onan	—	See manual	126984 (3)	See manual	025234 (N/A)	072462	See manual
Trailblazer® 251	KG160691	Onan	December 2002	176606	126984 (3)	165810	025234 (N/A)	072623	See manual
Trailblazer® 251 NT	KJ003470	Onan	December 2002	176606	126984 (3)	165810	119172	072623	216273
Trailblazer® 275 DC/302	LE246322	Kohler/Robin	October 2012	217680	205725 (1)	Engine Mfg	119172	See manual	—
Trailblazer® 280 NT	LA095390	Kohler	April 2004	176606	126984 (3)	Engine Mfg	119172	072623	216273
		Onan		176606	126984 (3)	165810	119172	072623	216273
Trailblazer® DC	LB159073	Onan	September 2004	176606	205725 (1)	165810	119172	See manual	—
		Robin		176606	205725 (1)	165810	119172	See manual	—
Trailblazer® 301 G	LB159073	Kohler	September 2004	176606	205725 (1)	199530	119172	See manual	—
		Onan		176606	205725 (1)	165810	119172	See manual	—
		Robin		176606	205725 (1)	165810	119172	See manual	—
Trailblazer® 300 D NT	KJ022682	Kubota	December 2001	176606	126984 (3)	See manual	119172	072462	—
Trailblazer® 301 D	LC119875	Kubota	January 2012	176606	205725 (1)	248995	119172	See manual	—
Wildcat® 200	LJ450001H	Subaru	January 2012	217680	493509 (1)	—	119172	238905	189742
Wildcat® 225G	JJ367046	Onan	—	172070	126984 (4)	—	119172	205839	189742
EnPak® A28	—	—	April 2019	217680	493509	—	119172	—	—
EnPak® A30	—	—	—	217680	493509	—	119172	—	—





## Industrial Engine Drive Tune-Up Components

Engine Drive	Engine Model	Machine Kill Date	Oil Filter #	Air Filter #	Air Filter (Safety Element) #	Fuel Filter (Primary) #	Fuel Filter (Secondary) #	Engine Filter Kit	Battery
Big 40 <sup>®</sup>	Continental F-163	August 2011	061760	017309	—	—	—	—	GP 24
Big 40 <sup>®</sup> G	Continental TM-20	December 2002	114559	017309	—	047420	—	—	GP 24
Big 40 <sup>®</sup> Diesel	Continental TMD-20	April 2012	064983	020319	—	192744	—	—	GP 24
Big 40 <sup>®</sup> Diesel (CAT)	CATERPILLAR 3024C/C2.2	April 2012	202166	192938	192939	192744	202167	246985	GP 24
Big 50 <sup>®</sup> Diesel (Prior to JK718458)	Continental TMD-27	December 2011	064983	020319	—	062342	—	—	GP 24
Big 50 <sup>®</sup> Diesel (Eff. with JK718458)	Continental TMD-27	December 2001	064983	020319	—	192744	—	—	GP 24
Big Blue <sup>®</sup> 251D (Prior to KF846844)	Deutz F3L1011	February 2004	—	—	—	192744	066217	—	GP 55
Big Blue <sup>®</sup> 251D (Eff. with KF846844)	Deutz F3L1011	February 2004	067265	—	—	192744	066217	—	GP 55
Big Blue <sup>®</sup> 251D (Eff. with LA153592)	Deutz F3L1011	February 2004	067265	197676	197679	192744	066217	—	GP 55
Big Blue <sup>®</sup> 300 Pro	Perkins 403C-15	December 2014	197899	197676	197679	213858	197997	—	GP 55
	CATERPILLAR C1.5		202166	197676	197679	213858	202167	246987	GP 55
	Deutz 2008		228778 (246986)	197676	197679	213858	202167	246986	GP 55
	Mitsubishi-S4L2		242882	197676	—	252781	213858	252782	GP 55
Big Blue <sup>®</sup> 302D	Deutz F3L1011	March 2004	067265	192938	192939	192744	066217	—	GP 24
Big Blue <sup>®</sup> 302P	Perkins 104.22	March 2004	197899	192938	192939	192744	197997	—	GP 24
Big Blue <sup>®</sup> 350 PipePro <sup>®</sup> (Prior to MA 250132E)	Mitsubishi-S4L2	May 2017	242882	197676	197679	213858	242881 (244711)	252782	GP 55
Big Blue <sup>®</sup> 350 PipePro <sup>®</sup> (Eff. s/n MA250132)	Mitsubishi-S4L2	May 2017	242882	197676	197679	213858	252781	252782	GP 55
Big Blue <sup>®</sup> 350 PipePro <sup>®</sup>	Caterpillar C1.5	September 2016	202166	197676	197679	—	202167	246987	GP 55
Big Blue <sup>®</sup> 400D	Deutz F3L2011	October 2013	067265	192938	192939	192744	066217	246988	GP 24
	Perkins 404.22		197899	192938	192939	192744	197997	246985	GP 24
Big Blue <sup>®</sup> 400D	Deutz F3L912	October 2013	064677	020319	—	062342	064686	—	GP 24
Big Blue <sup>®</sup> 400 KX	Kubota V1505-EBG1	October 2005	196428	197676	197679	213858	207715	—	GP 55
Big Blue <sup>®</sup> 400 Pro/PipePro <sup>®</sup>	Caterpillar C1.5T		202166	197676	197679	273865	217687	274427	BCI 35 or 55
	Mitsubishi S4L2		242882	197676	197679	213858	252781	252782	BCI 35 or 55
Big Blue <sup>®</sup> 400 Pro	Kubota V1505		196428	197676	197679	207715		253901	BCI 35 or 55
Big Blue <sup>®</sup> 400 Pro/PipePro <sup>®</sup>	Mitsubishi S4L2	July 2017	252782	197676	197679	213858	252781	252872	GP 35
Big Blue <sup>®</sup> 400 Pro/PipePro <sup>®</sup>	Cat C1.5	December 2014	202166	197676	197679	213858	202167	262459	GP 35
Big Blue <sup>®</sup> 400 Pro	Kubota 1505 E3BG	September 2017	196428	197676	197679	233482	207715	253901	GP 35
Big Blue <sup>®</sup> 402D/502D/602D	Deutz F4L1011	March 2004	067265	192938	192939	192744	066217	—	GP 24
	Deutz F3L912		064677	192938	192939	192744	064686	—	GP 24
Big Blue <sup>®</sup> 402P/502P/602P	Perkins 3.152	January 2004	192936	192938	192939	192744	192937	—	GP 24
Big Blue <sup>®</sup> 450 duo CST™	Mitsubishi S4L2		242882	197676	197679	213858	252781	252782	GP 35
Big Blue <sup>®</sup> 400/500 ECO Pro	Mitsubishi-S4L2	February 2014	242882	197676	197679	213858	252781	252782	BCI 35 or 55
Big Blue <sup>®</sup> 500 Pro (Deutz) <sup>4</sup>	Deutz 2.9L4	October 2016	067265	192938	192939	255764	255765	262459	GP 31
Big Blue <sup>®</sup> 500 Pro	Kubota V2403		273287 (273293)	273283	273284	273285	273286	273293	BCI 31
Big Blue <sup>®</sup> 500X	Deutz F3L912	July 2016	064677	192938	192939	192744	064686	246989	GP 24
	Deutz F4L2011		067265	192938	192939	192744	066217	246988	GP 24
	Perkins 404.22T		197899	192938	192939	192744	197997	246985	GP 24
Big Blue <sup>®</sup> 600D	Deutz F4L912	October 2003	064677	020319	—	062342	064686	—	GP 24
Big Blue <sup>®</sup> 600 Pro	Kubota V2403		273287 (273293)	273283	273284	273285	273286	273293	GP 31
Big Blue <sup>®</sup> 700 Dual Pro <sup>4</sup>	Deutz F4L2011	June 2018	067265	192938	192939	192744	066217	246988	GP 24
Big Blue <sup>®</sup> 800 Duo Pro	Deutz TD2.94L4		067265	192938	192939	255764	255765	262459	GP 31
Big Blue <sup>®</sup> 800 Duo Pro AirPak™	Deutz TD2.9L4		067265	192939	192939	255754	255765	262459	GP 31
Big Blue <sup>®</sup> 600 Pro AirPak™ (Deutz) <sup>4</sup>	Deutz 2.9L4	July 2017	067265	192938	192939	225764	255765	262459	GP 31
Big Blue <sup>®</sup> AirPak™ 1	Deutz BF4M 2011	October 2014	067265	192938	192939	192744	066217	246988	GP 24
Big Blue <sup>®</sup> Turbo	Deutz BF4M 2011	October 2014	067265	192938	192939	192744	066217	246988	GP 24
Miller AirPak™	Deutz F4L912	December 2001	064677	020319	N/A	062342	064686	—	GP 24
Miller Du-Op™	Deutz F3L912/914	December 2005	064677	(See note <sup>2</sup> )	(See note <sup>3</sup> )	062342	064686	246989	GP 24
PRO 300	CATERPILLAR 3013C/C1.5	September 2008	202166	197676	197679	213858	202167	246987	GP 24
PipePro <sup>®</sup> 304	Kubota DH905/1005	September 2008	196428	187441	202102	237857	192744	246990	GP 55
Traillblazer <sup>®</sup> Pro 350	Kubota DH905/1005	January 2009	196428	187441	202102	237857	192744	246990	GP 55

<sup>1</sup>IR Compressor Filter Kit 246991, Oil Filter 206745, Separator Filter 206747 and Air Filter 197676.  
<sup>2</sup>Prior to serial number LB043908 use 020319. Effective with serial number LB043908 use 192938.  
<sup>3</sup>Effective with serial number LB043908 use 192939.  
<sup>4</sup>Single-Phase Plug 119172, Three-Phase Plug 254140.

## Industrial Engine Drive Tune-Up Components

Engine Drive	Engine Model	Machine Kill Date	Fuel Cap #	Blower/ Fan Belt #	Alternator Belt #	Fuel Filter (Primary) #	Fuel Filter (Secondary) #	Engine Filter Kit	Battery
Big 40®	Continental F-163	August 2011	182022	—	—	—	—	—	GP 24
Big 40® G	Continental TM-20	December 2002	182022	118156	—	047420	—	—	GP 24
Big 40® Diesel	Continental TMD-20	April 2012	182022	118156	—	192744	—	—	GP 24
Big 40® Diesel (CAT)	CATERPILLAR 3024/C2.2	April 2012	254678	197944	—	192744	202167	246985	GP 24
Big 50® Diesel (Prior to JK718458)	Continental TMD-27	December 2011	182022	118156	—	062342	065346	—	GP 24
Big 50® Diesel (Eff. with JK718458)	Continental TMD-27	December 2001	182022	118156	—	192744	—	—	GP 24
Big Blue® 251D (Prior to KF846844)	Deutz F3L1011	February 2004	182022	—	—	192744	066217	—	GP 55
Big Blue® 251D (Eff. with KF846844)	Deutz F3L1011	February 2004	182022	—	—	192744	066217	—	GP 55
Big Blue® 251D (Eff. with LA153592)	Deutz F3L1011	February 2004	182022	—	—	192744	066217	—	GP 55
Big Blue® 300 Pro	Perkins 403C-15	December 2014	254678	217686	—	213858	197997	—	GP 55
	CATERPILLAR C1.5		254678	217686	—	213858	217687	246987	GP 55
	Duetz 2008		254678	228780	—	213858	202167	246986	GP 55
	Mitsubishi-S4L2		254678	242883	—	252781	213858	252782	GP 55
Big Blue® 302D	Deutz F3L1011	March 2004	254678	067266	—	192744	066217	—	GP 24
Big Blue® 302P	Perkins 104.22	March 2004	254678	197944	—	192744	197997	—	GP 24
Big Blue® 350 PipePro® (Prior to MA 250132E)	Mitsubishi-S4L2	May 2017	254678	242883	—	213858	242881 (244711)	252782	GP 55
Big Blue® 350 PipePro® (Eff. s/n MA250132)	Mitsubishi-S4L2	May 2017	254678	242883	—	213858	252781	252782	GP 55
Big Blue® 350 PipePro®	Caterpillar C1.5	September 2016	254678	217686	—	213185	202167	246987	GP 55
Big Blue® 400D	Deutz F3L2011	October 2013	254678	216959	—	192744	066217	246988	GP 24
	Perkins 404.22		254678	197944	—	192744	197997	246985	GP 24
Big Blue® 400D	Deutz F3L912	October 2013	182022	—	136250	062342	064686	—	GP 24
Big Blue® 400 KX	Kubota V1505-EBG1	October 2005	254678	218468	—	213858	207715	—	GP 55
Big Blue® 400 Pro/PipePro®	Caterpillar C1.5T		254678	—	217686	273865	217687	274427	BCI 35 or 55
Big Blue® 400 Pro	Kubota V1505		254678	—	218468	207715	—	253901	BCI 35 or 55
	Mitsubishi S4L2		254678	—	242883	213858	252781	242711	BCI 35 or 55
Big Blue® 400 Pro	Mitsubishi S4L2		254678	—	242883	213858	252781	244711	GP 35
Big Blue® 400 Pro/PipePro®	Cat C1.5	December 2014	254678	—	217686	213858	217687	246987	GP 35
Big Blue® 400 Pro	Kubota 1505 E3BG	September 2017	254678	—	218468	233482	207715	253901	GP 35
Big Blue® 402D/502D/602D	Deutz F4L1011	March 2004	254678	067266	—	192744	066217	—	GP 24
	Deutz F3L912		254678	066271	—	192744	064686	—	GP 24
Big Blue® 402P/502P/602P	Perkins 3.152	January 2004	254678	193163	—	192744	192937	—	GP 24
Big Blue® 450 duo CST™	Mitsubishi S4L2		254678	—	242883	213858	252781	244711	GP 35
Big Blue® 500 ECO PRO	—	February 2014	190198	242883	—	213858	252781	252782	BCI 35 or 55
Big Blue® 500 Pro (Deutz)	Deutz 2.9L4	October 2016	254678	260572	—	255764	255765	262459	GP 31
Big Blue® 500X	Deutz F3L912	July 2016	254678	066271	—	192744	064686	246989	GP 24
	Deutz F4L2011		254678	067266	—	192744	066217	246988	GP 24
	Perkins 404.22T		254678	197944	—	192744	197997	246985	GP 24
Big Blue® 500 Pro	Kubota V2403		254678	273288	—	273285	273286	273293	BCI 31
Big Blue® 600D	Deutz F4L912	October 2003	—	066271	—	062342	064686	—	GP 24
Big Blue® 600 Pro	Kubota V2403		254678	—	273288	273285	273286	273293	GP 31
Big Blue® 700 Dual Pro	Deutz F4L2011	June 2018	254678	197944	—	192744	066217	246988	GP 24
Big Blue® 800 Duo Pro	Deutz TD2.9L4		190198	—	260572	255764	255765	262459	GP 31
Big Blue® 800 Duo Pro AirPak™	Deutz TD2.9L4		190198	—	253944	255754	255765	262459	GP 31
Big Blue® 800 Duo AirPak™ (Deutz)	Deutz 2.9L4	July 2017	254678	260572	—	225764	255765	262459	GP 31
Big Blue® AirPak™ <sup>1</sup>	Deutz BF4M 2011	October 2014	254678	207808	—	192744	066217	246988	GP 24
Big Blue® Turbo	Deutz F4L 2011	October 2014	254678	067266	—	192744	066217	246988	GP 24
Miller AirPak™	Deutz F4L912	December 2001	—	066271	—	062342	064686	—	GP 24
Miller Du-Op™	Deutz F3L912/914	December 2005	182022	—	066213	062342	064686	246989	GP 24
PRO 300	CATERPILLAR 3013C/C1.5	September 2008	254678	217686	—	213858	202167	246987	GP 24
PipePro® 304	Kubota DH905/1005	September 2008	182022	197197	—	—	192744	246990	GP 55
Traillblazer® Pro 350	Kubota DH905/1005	January 2009	182022	197197	—	—	192744	246990	GP 55

<sup>1</sup>Big Blue IR Compressor Filter Kit 246991, Oil Filter 206745, Separator Filter 206747 and Air Filter 197676.

<sup>2</sup>Prior to serial number LB043908 use 020319. Effective with serial number LB043908 use 192938.

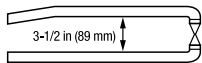


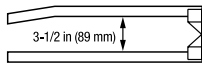

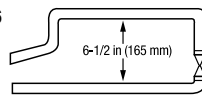


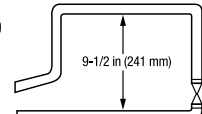


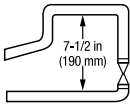






<sup>3</sup>Effective with serial number LB043908 use 192939.

<sup>4</sup>Big Blue Air Pak Filter Kit with Oil Ingersoll Rand 279121.

<sup>5</sup>Rotary Screw Compressor Oil 276620 (12 pack).

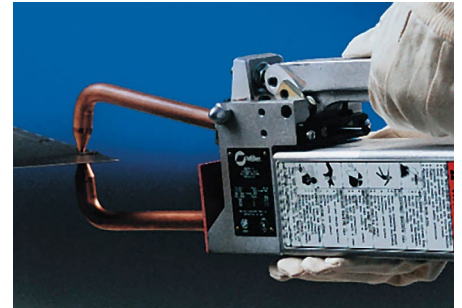


## MSW and LMSW Series Tongs and Tips

TONGS	6 in (152 mm)	12 in (305 mm)	18 in (457 mm)	Tips
<b>Standard</b> 	040197	040198	040199	Standard 040211  Flat 040212 
<b>MO Offset</b> 	040200	040201	040202	MO Offset 040215 
<b>TT-6</b> 	—	040203	040204	Standard 040211  Flat 040212 
<b>TT-9</b> 	—	040205	040206	Standard 040211  Flat 040212 
<b>G-7</b> 	8 in (203 mm) 040207			Standard 040211  Flat 040212 
<b>FF</b> 	8 in (203 mm) 040208			FF 040213 
<b>FH</b> 	5 in (127 mm) 040209			FH 040214 

For your added convenience, spot welder tongs and tips can be ordered through the Miller Service Parts business for use with the following models:

- MSW-41, MSW-41T, MSW-42, MSW-42T, LMSW-52 and LMSW-52T



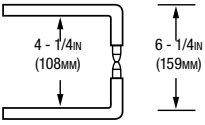
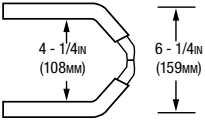
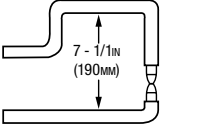
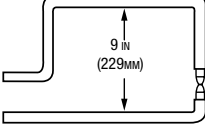
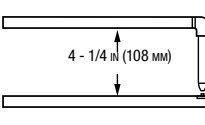
**Gyro Bail 041979**  
 Supports the weight of the welder. Operates with boom and counterweight or from spring-loaded cable. Spot welds in any position.








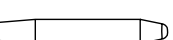


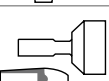
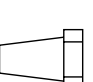
### Important Ordering Information

- To determine the correct tong reorder length, measure exposed tong length when installed in spot welder.  
 Removed tongs measure 2 inches longer than the listed chart length. For correct reorder length, deduct 2 inches from the removed tong.
- One set of tips is supplied with each set of tongs.
- Maximum welding capabilities are obtained with minimum tong length.
- Tips are made of RWMA Class 2 Alloy.

# Spot Welders

## PSW & SSW Series Tongs and Tips

TONGS	Description	6 in (152 mm)	12 in (305 mm)	18 in (457 mm)	Tips Included
	Standard 90° No. 1 MT No. 2 MT	040218 —	040219 —	040220 041001	040223 040308
	Standard 45° No. 1 MT No. 2 MT	— —	041004 —	041005 (N/A) 041001 (N/A)	040851 040225
	TT-6W No. 2 MT	—	—	041838	040308
	TT-9W No. 2 MT	—	—	041840 (N/A)	040308
	SW-12	—	071465 (N/A)	—	No. 1 Pointed 071466 Top Flat Threaded 071467 Bottom

TIPS	Description	Part #	Quantity	Where Used
	No. 1 MT (Pointed)	040223	2 tips	Standard 90° No. 1 Tongs
	No. 1 MT (Offset)	040224	2 tips	Standard 90° No. 1 Tongs
	No. 2 MT (Pointed)	040308	2 tips	Standard 90° No. 2 Tongs, TT-6W Tongs, TT-9W Tongs
	No. 1 MT (Offset)	040851	2 tips	Standard 45° No. 1 Tongs
	No. 1 MT (Offset)	040226	2 tips	Standard 90° No. 1 Tongs
	No. 1 MT (Offset)	040298	2 tips	Standard 90° No. 1 Tongs
	No. 2 MT (Offset)	040225	2 tips	Standard 45° No. 2 Tongs
	No. 1 MT (Pointed)	071466	1 tip for top tong	SW-12 Tongs
	Threaded (Flat)	071343	1 tip for bottom tong	SW-12 Tongs (Optional)
	Threaded (Flat)	071467	1 tip for bottom tong	SW-12 Tongs
	No. 1 MT (Flat Swivel Tip)	040216	2 tips	Standard 90° No. 1 Tongs
	Adapter (Adapts No. 1 Morse Taper Tip to No. 2 Receptacle)	040227	2 adapters	Standard 90° No. 2 Tongs, TT-6W Tongs (Top), TT-9W Tongs (Top)

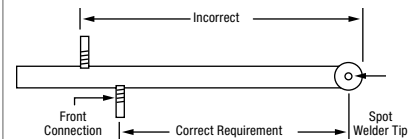
For your added convenience, spot welder tongs and tips can now be ordered through the Miller Service Parts business for use with the following models:

- PSW-1020 ATT and PSW-2020 ATT
- SSW-1020 ATT, SSW-2020 ATT and SSW-2040 ATT



### Important Ordering Information

- To determine the correct tong reorder length, measure from the center of the spot weld tip back to the front water hose connection.



- Tongs and tips shown to the left can be used with all PSW and SSW model spot welders. Recommended maximum tong length is 18 in (457 mm). A limited group of special tongs are available, contact Miller Service Parts.
- Tong throat-height dimension for standard 90° and 45° tongs is 4-1/4 in (108 mm). Throat length is measured from the center of the spot tips to the front water hose connection on the tong.
- One set of tips is supplied with each set of tongs.
- Tips are made of RWMA Class 2 alloy.
- Maximum welding capabilities are obtained with minimum tong length.
- MT = Morse Taper  
No. 1 Morse Taper diameter = 1/2 inch  
No. 2 Morse Taper diameter = 5/8 inch



## TIG Connectors

### Air Cool 1-Piece Power Cable Connectors



**194722 / 194723**  
50 mm Dinse-style gas thru for one-piece air-cooled torch.



**195378 / 195379**  
50 mm Dinse-style for one-piece air-cooled torch.



**105Z57**  
Power cable adapter for one-piece A-150 torch.



**45V62**  
Power cable adapter for one-piece A-200 torch.

**225564**  
Replacement Back Hose

### Air Cool 2- Piece Power Cable Connectors



**129527**  
50 mm Dinse-style for two-piece cable air-cooled torch.

### Water Cool Power Cable Connectors



**195380**  
50 mm Dinse-style gas thru with gas and water return lines for water-cooled torch.



**195377**  
50 mm Dinse-style with water return line for water-cooled torch.



**45V11**  
Power cable adapter for water-cooled torch.



**225028**  
50 mm thread lock-style for water-cooled torch.

**222809**  
Replacement Red Hose

**225564**  
Replacement Black Hose

**222809**  
Replacement Red Hose

**221170**  
Replacement Black Hose

Machines	Connection Type	A-80, A-125, A-150 Power Cable Connector		A-200 Power Cable Connector		Water Cool Power Cable Connector
		1-Piece	2-Piece	1-Piece	2-Piece	
<b>TIG Machines</b>						
Syncrowave® 200/210	50 mm Dinse, Gas Thru	194722	129527*	194723	129527*	195380
Syncrowave® 250 DX/350 DX (Dinse)	50 mm Dinse	195378	129527	195379	129527	195377
Syncrowave® 250 DX/350 DX (Stud)	1/2 in Stud	105Z57	N/A	45V62	N/A	45V11
Syncrowave® 300/400 (	50 mm Dinse	195378	129527	195379	129527	195377
Maxstar® 150/161 STL/STH	25 mm Dinse, Gas Thru	273483	263801*	N/A	N/A	N/A
Dynasty® 210/280/300/350	50 mm Dinse	195378	129527	195379	129527	195377
Maxstar® 210/280/350/400						
Dynasty®/ Maxstar® 700/800	50 mm Thread Lock	N/A	225048	N/A	225048	225028
<b>Multiprocess Machines</b>						
Multimatic™ 200/215/220	25 mm Dinse, Gas Thru	273483	263801*	N/A	N/A	N/A
Multimatic™ 235/255	50 mm Dinse	195378	129527	195379	129527	195377
Dimension™ 302/452/NT 450/652	1/2 in Stud	105Z57	N/A	45V62	N/A	45V11
Pipeworx	1/2 in Stud	105Z57	N/A	45V62	N/A	45V11
XMT® 304/350	50 mm Dinse	195378	129527	195379	129527	195377
XMT® 450	1/2 in Stud	105Z57	N/A	45V62	N/A	45V11
<b>Engine-Driven Machines</b>						
Most Big Blue®, Trailblazer®, Bobcat®, Blue Star®, and Wildcat® models	1/2 in Stud	105Z57	N/A	45V62	N/A	45V11
Big Blue® 450 Duo CST	50 mm Dinse	195378	129527	195379	129527	195377

\*Two-piece power cable connector is not gas thru.

## Weldcraft® A-80 Series Formerly WP-24 Series

Hand-Held Air-Cooled  
Service Parts/Consumables

Models		1-Piece Power Cable Standard Rubber	
Old Model	New Name	12.5 ft (3.8 m)	25 ft (7.6 m)
WP-24	A-80	WP-24-12-R	WP-24-25-R
WP-24F	A-80 Flex	WP-24F-12-R	WP-24F-25-R
WP-24FV	A-80 Flex Valve	WP-24FV-12-R	WP-24FV-25-R

V= Valve F=Flex FV=Flex Valve

Torch packages include torch body, handle, and power cable.

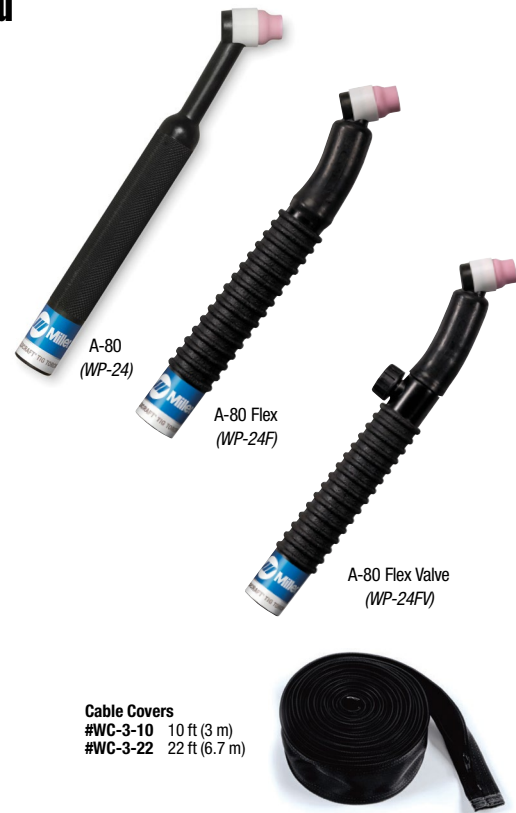
Torch Bodies		Handles	
A-80	WP-24	Ribbed	105Z55R
A-80 Flex	WP-24F	Knurled	H-100
A-80 Flex Valve	WP-24FV		

Valve	
A-80 Flex Valve	150VTB

Power Cables		
	12.5 ft (3.8 m)	25 ft (7.6 m)
Rubber	56Y38R	56Y97R
Adapter	24-5	



## Consumables

### Non-Gas Lens

Electrode Size - inch (mm)	.040 (1.0)	1/16 (1.6)	3/32 (2.4)
1 Insulator (required)	53N22	53N22	53N22
2 Collet	53N16	53N14	24C332
3 Collet Body	53N18	53N19	24CB332
Nozzle Size - size # (inch)	4 (1/4)	5 (5/16)	6 (3/8)
4 Alumina	A53N24	A53N25	A53N27
* Lava	53N24	53N25	53N27
* Long Lava	53N28	—	53N26

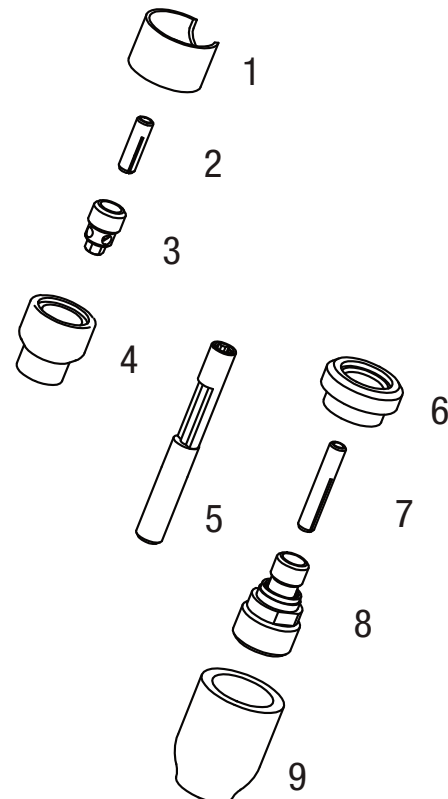
### Collet Body Wrench

5 53N20

### Gas Lens

Electrode Size - inch (mm)	.040 (1.0)	1/16 (1.6)	3/32 (2.4)		
6 Insulator (required)	53N66	53N66	53N66		
7 Collet	53N63	53N64	24GLC332		
8 Gas Lens	45V42	45V43	45V44		
Nozzle Size - size # (inch)	4 (1/4)	5 (5/16)	6 (3/8)	7 (7/16)	8 (1/2)
9 Alumina Gas Lens	53N58	53N59	53N60	53N61	53N61S

\*Not shown.





## Weldcraft® W-125 Micro Series

Hand-Held Water-Cooled  
Service Parts/Consumables

Formerly WP-125 Series

Models		Braided Rubber		Vinyl	
Old Model	New Name	12.5 ft (3.8 m)	25 ft (7.6 m)	12.5 ft (3.8 m)	25 ft (7.6 m)
WP-125M	W-125 Medium Micro	WP-125M-12-R	WP-125M-25-R	WP-125M-12	WP-125M-25
WP-125L	W-125 Long Micro	WP-125L-12-R	WP-125L-25-R	WP-125L-12	WP-125L-25

M= Medium (3.5 in.) L = Long (5 in.)

Torch packages include torch body, handle, power cable, gas hose, water hose, 45-degree nozzle, 45-degree 1/16 inch chuck, and collet body wrench.

Torch Bodies		Handles	
W-125 Medium	WP-125M	Knurled	53N06
W-125 Long	WP-125L	Ribbed	53N06R

### Power Cables and Hoses

	Vinyl		Braided	
	12.5 ft (3.8 m)	25 ft (7.6 m)	12.5 ft (3.8 m)	25 ft (7.6 m)
Power Cable	45V03HD	45V04HD	45V03RR	45V04RR
Water Hose*	45V07HD	45V08HD	45V07RBB	45V08RBB
Gas Hose*	45V09	45V10	45V09R	45V10R

\*Requires hose clamp 53N04

### #AK125C Accessory Kit

Includes one of each size (180°, 45°, 90°, 90° short) glass nozzle, and one of each size (.040, 1/16 inch) of the following: 180-degree chuck, 45-degree chuck, 90-degree chuck, and 7-inch 2% ceriated tungsten electrode.



## Consumables

### 45° Non-Gas Lens

Electrode Size - inch (mm)	.040 (1.0)	1/16 (1.6)	3/32 (2.4)
1 Chuck 45°	125C40-45	125C116-45	125C332-45
2 Glass Nozzle 45°	125N45	125N45	125N45
* Quartz Nozzle 45°	125N45Q	125N45Q	125N45Q

### 90° Non-Gas Lens

3 Chuck 90°	125C40-90	125C116-90	125C332-90
4 Glass Nozzle 90°	125N90	125N90	125N90
* Quartz Nozzle 90°	125N90Q	125N90Q	125N90Q
5 Glass Nozzle 90° Short	125N90S	125N90S	125N90S
* Quartz Nozzle 90° Short	125N90SQ	125N90SQ	125N90SQ

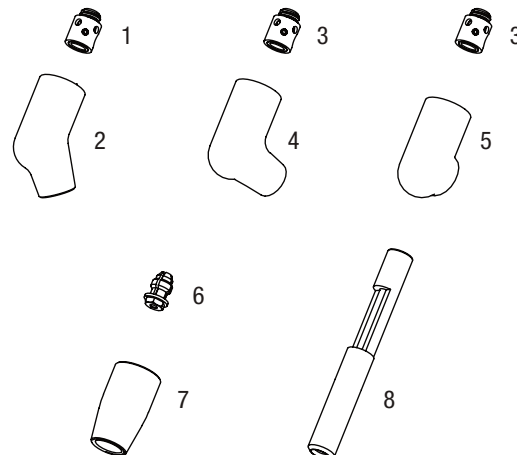
### 180° Non-Gas Lens

6 Chuck 180°	50C40	50C116	—
7 Glass Nozzle 180°	125N180	125N180	—
* Quartz Nozzle 180°	125N180Q	125N180Q	—

### Chuck Wrench

8 53N20

\*Not shown.



## Weldcraft® A-125 Series Hand-Held Air-Cooled Service Parts/Consumables

Formerly WP-9 Series



A-125 (WP-9)

### Additional Torch Models



Note: Torches delivered may vary slightly from images shown.

Models		1-Piece Power Cable Standard Rubber		2-Piece Power Cable Rubber	
Old Model	New Name	12.5 ft (3.8 m)	25 ft (7.6 m)	12.5 ft (3.8 m)	25 ft (7.6 m)
WP-9	A-125	WP-9-12-R	WP-9-25-R	WP-9-12-2	WP-9-25-2
WP-9V	A-125 Valve	WP-9V-12-R	WP-9V-25-R	WP-9V-12-2	WP-9V-25-2
WP-9F	A-125 Flex	WP-9F-12-R	WP-9F-25-R	WP-9F-12-2	WP-9F-25-2
WP-9FV	A-125 Flex Valve	WP-9FV-12-R	WP-9FV-25-R	WP-9FV-12-2	WP-9FV-25-2
WP-9P	A-125 Pencil	WP-9P-12-R	WP-9P-25-R	—	—

V= Valve F=Flex FV=Flex Valve P=Pencil  
Torch packages include torch body, handle, power cable, and long back cap (excluding the A-125 Pencil model).

Torch Bodies		Valves		Handles	
A-125	WP-9	—		Ribbed	H-100R
A-125 Valve	WP-9V	VS-2		Knurled	H-100
Torch Bodies Optional			Flex Head ONLY		
A-125 Flex	WP-9F	—	9F	Ribbed	105Z55R
A-125 Flex Valve	WP-9FV	VS-2	9F	Knurled	105Z55
A-125 Redhead Flex	WP-R9F	—	R9F		
A-125 Redhead Flex Valve	WP-R9FV	VS-2	R9F		
Collet Body Wrench					53N20

Power Cables and Hoses						
Rubber		2-Piece		Mono Flex		
12.5 ft (3.8 m)	25 ft (7.6 m)	12.5 ft (3.8 m)	25 ft (7.6 m)	12.5 ft (3.8 m)	25 ft (7.6 m)	
57Y01R	57Y03R	57Y01-2	57Y03-2	57Y01MF	57Y03MF	
Replacement Gas Hose						
—	—	45V09R	45V10R	—	—	

**#AK3GL Gas Lens Accessory Kit**  
For A-150, A-200 and A-250. Includes one short back cap, one of each size (#6, #7, #8) alumina nozzle, and one of each size (1/16, 3/32, 1/8 inch) of the following: gas lens, collet, and 7-inch 2% ceriated tungsten electrode.



**#AK1C Accessory Kit**  
Includes one long back cap, two collets (one collet per size: .040, 1/16), three alumina nozzles (one nozzle per size: 4, 5, 6), and two 7-inch 2% ceriated tungsten electrodes (one electrode per size: .040, 1/16).

**#AK4GL Gas Lens Accessory Kit**  
For W-200, W-225, W-250, W-280 and W-375. Includes one short back cap, one of each size (#6, #7, #8) alumina nozzle, and one of each size (1/16, 3/32, 1/8 inch) of the following: gas lens, collet, and 7-inch 2% ceriated tungsten electrode.



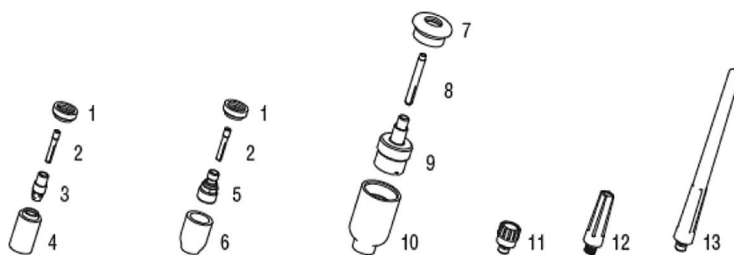
W-180 (WP-24W)

**Cable Covers**  
#WC-3-10: 10 ft (3 m)  
#WC-3-22: 22 ft (6.7 m)  
#WC-3-48: 48 ft (14.6 m)



**Extension Kit**  
#EK-2-25-R 25 ft (7.6 m), Rubber





## Consumables

### Non-Gas Lens

Electrode Size - inch (mm)	.020 (0.5)		.040 (1.0)		1/16 (1.6)		3/32 (2.4)		1/8 (3.2)
1 Insulator (required)	598882		598882		598882		598882		598882
2 Collet	13N20		13N21		13N22		13N23		13N24
3 Collet Body	13N25		13N26		13N27		13N28		13N29
Nozzle Size - size # (inch)	3 (3/16)	4 (1/4)	5 (5/16)	6 (3/8)	7 (7/16)	8 (1/2)	10 (5/8)	12 (3/4)	Short
4 Alumina	—		13N08	13N09	13N10	13N11	13N12	13N13	—
* Lava	—		13N14	13N15	13N16	13N17	13N18	13N19	—
* Long Lava	796F70		796F71	796F72	796F73	—	—	—	—
* X-Long Lava	796F74		796F75	796F76	796F77	—	—	—	—

Electrode Size - inch (mm)	.020 (0.5)		.040 (1.0)		1/16 (1.6)		3/32 (2.4)		1/8 (3.2)
1 Insulator (required)	598882		598882		598882		598882		598882
2 Collet	13N20		13N21		13N22		13N23		13N24
5 Gas Lens	45V41		45V42		45V43		45V44		45V45
Nozzle Size - size # (inch)	3 (3/16)	4 (1/4)	5 (5/16)	6 (3/8)	7 (7/16)	8 (1/2)	10 (5/8)	12 (3/4)	Short
6 Alumina Gas Lens	—		53N58	53N59	53N60	53N61	53N61S	—	—

### Large Diameter Gas Lens

Electrode Size - inch (mm)	.020 (0.5)		.040 (1.0)		1/16 (1.6)		3/32 (2.4)		1/8 (3.2)
7 Insulator (required)	54N63-20		54N63-20		54N63-20		54N63-20		54N63-20
8 Collet	13N20L		13N21L		13N22L		13N23L		13N24L
9 Large Diameter Gas Lens	45V0204S		45V0204S		45V116S		45V64S		995795S
Nozzle Size - size # (inch)	3 (3/16)	4 (1/4)	5 (5/16)	6 (3/8)	7 (7/16)	8 (1/2)	10 (5/8)	12 (3/4)	Short
10 Large Dia. Gas Lens	—		—	57N75	—	57N74	53N88	53N87	53N89
* Large Dia. Gas Lens-L	—		—	57N75L	—	57N74L	53N88L	53N87L	—
* Large Dia. Gas Lens-XL	—		—	57N75XL	—	57N74XL	53N88XL	53N87XL	—
* Large Dia. Gas Lens-XXL	—		—	57N75XXL	—	57N74XXL	53N88XXL	53N87XXL	—

### Back Caps

11 Short 41V33	12 Medium 41V35	13 Long 41V24
----------------	-----------------	---------------

\*Not shown.



#### AK3GL Gas Lens Accessory Kit

For A-150, A-200 and A-250. Includes one short back cap, one of each size (#6, #7, #8) alumina nozzle, and one of each size (1/16, 3/32, 1/8 inch) of the following: gas lens, collet, and 7-inch 2% ceriated tungsten electrode.



#### #MAK-2S Accessory Kit

For W-350 Series. Includes one short and one long back cap, four back cap o-rings, two cup gaskets, one gas lens insulator, and one of each size (.040, 1/16, 3/32, 1/8 inch) gas lens. Also includes the following: ten collets (1) .040, (3) 1/16, (3) 3/32, (2) 1/8, (1) 5/32; and eight collet bodies (1) .040, (2) 1/16, (2) 3/32, (2) 1/8, (1) 5/32.

## Weldcraft® A-150 Series Formerly WP-17 Series

Hand-Held Air-Cooled  
Service Parts/Consumables



A-150  
(WP-17)

**Cable Covers**

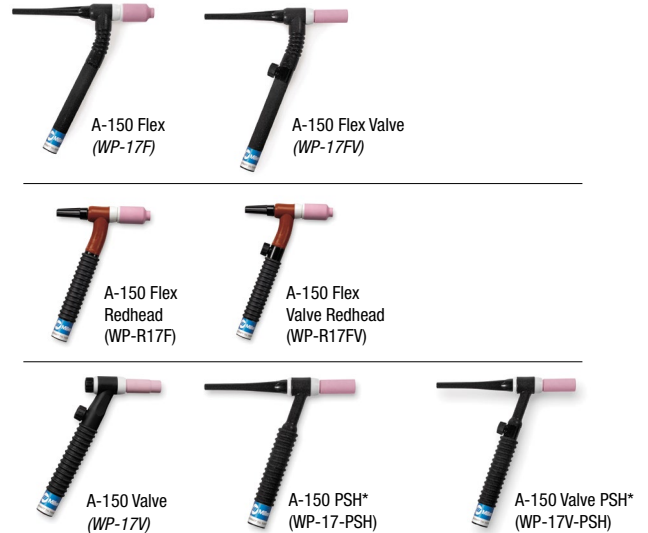
- #WC-3-10 10 ft (3 m)
- #WC-3-22 22 ft (6.7 m)
- #WC-3-48 48 ft (14.6 m)

**Extension Kit**

- #EK-2-25-R 25 ft (7.6 m), Rubber



**Additional Torch Models**



Note: Torches delivered may vary slightly from images shown.

Models		1-Piece Power Cable Standard Rubber		1-Piece Power Cable Mono-Flex™		2-Piece Power Cable Rubber	
Old Model	New Name	12.5 ft (3.8 m)	25 ft (7.6 m)	12.5 ft (3.8 m)	25 ft (7.6 m)	12.5 ft (3.8 m)	25 ft (7.6 m)
WP-17	A-150	WP-17-12-R	WP-17-25-R	WP-17-12-MF	WP-17-25-MF	WP-17-12-2	WP-17-25-2
WP-17V	A-150 Valve	WP-17V-12-R	WP-17V-25-R	—	WP-17V-25-MF	WP-17V-12-2	WP-17V-25-2
WP-17F	A-150 Flex	WP-17F-12-R	WP-17F-25-R	—	—	WP-17F-12-2	WP-17F-25-2
WP-17FV	A-150 Flex Valve	WP-17FV-12-R	WP-17FV-25-R	—	—	WP-17FV-12-2	WP-17FV-25-2
WP-R17FV	A-150 Flex Valve Redhead™	WP-R17FV-12-R	WP-R17FV-25-R	—	—	—	—
WP-17-PSH	A-150 PSH	—	WP-17-25-R-PSH	—	—	WP-17-12-2-PSH	WP-17-25-2
WP-17V-PSH	A-150 Valve PSH	WP-17V-12-R-PSH	WP-17V-25-R-PSH	—	—	—	WP-17V-25-2

V= Valve F=Flex FV=Flex Valve PSH=Positive Stop Handle (threaded handle); Torch packages include torch body, handle, power cable, and long back cap.

Torch Bodies		Valves		Handles	
A-150	WP-17	—	—	Ribbed	H-100R
A-150 Valve	WP-17V	VS-2	—	Knurled	H-100
Torch Bodies Optional		Flex Head ONLY			
A-150 Flex	WP-17F	—	17F	Ribbed	105Z55R
A-150 Flex Valve	WP-17FV	VS-2	17F	Knurled	105Z55
A-150 Redhead Flex	WP-R17F	—	R17F		
A-150 Redhead Flex Valve	WP-R17FV	VS-2	R17F		
A-150 PSH	WP-17-PSH	—			
A-150 Valve PSH	WP-17V-PSH	VS-2			
Power Cables and Hoses					
Rubber		2-Piece		Mono Flex	
12.5 ft (3.8 m)	25 ft (7.6 m)	12.5 ft (3.8 m)	25 ft (7.6 m)	12.5 ft (3.8 m)	25 ft (7.6 m)
57Y01R	57Y03R	57Y01-2	57Y03-2	57Y01MF	57Y03MF
Replacement Gas Hose					
—	—	45V09R	45V10R	—	—

**#AK2C Accessory Kit**

Includes one short back cap, three collets (one collet per size: .040, 1/16, 3/32), three collet bodies (one collet body per size: .040, 1/16, 3/32), three alumina nozzles (one nozzle per size: 4, 5, 6), and three 7-inch 2% ceriated tungsten electrodes (one electrode per size: .040, 1/16, 3/32).

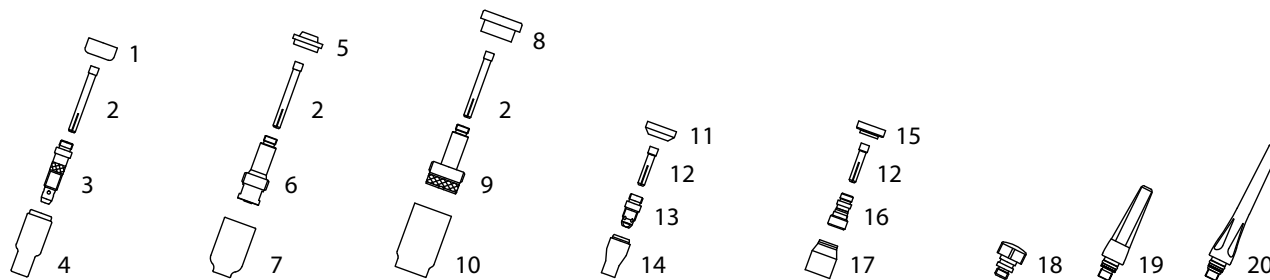


**#AK3GL Gas Lens Accessory Kit**  
Includes one short back cap, one of each size (#6, #7, #8) alumina nozzle, and one of each size (1/16, 3/32, 1/8 inch) of the following: gas lens, collet, and 7-inch 2% ceriated tungsten electrode.

**#MAK-2S Accessory Kit**

For W-350 Series. Includes one short and one long back cap, four back cap o-rings, two cup gaskets, one gas lens insulator, and one of each size (.040, 1/16, 3/32, 1/8 inch) gas lens. Also includes the following: ten collets (1) .040, (3) 1/16, (3) 3/32, (2) 1/8, (1) 5/32; and eight collet bodies (1) .040, (2) 1/16, (2) 3/32, (2) 1/8, (1) 5/32.





## Consumables

### Non-Gas Lens

Electrode Size - inch (mm)	.020 (0.5)	.040 (1.0)	1/16 (1.6)		3/32 (2.4)		1/8 (3.2)	
1 Insulator (required)	18CG	18CG	18CG	18CG	18CG	18CG	18CG	
2 Collet	10N21	10N22	10N23	10N23	10N24	10N24	10N25	
3 Collet Body	10N29	10N30	10N31	10N31	10N32	10N32	10N28	
Nozzle Size - size # (inch)	4 (1/4)	5 (5/16)	6 (3/8)	7 (7/16)	8 (1/2)	10 (5/8)	12 (3/4)	Short
4 Alumina	10N50	10N49	10N48	10N47	10N46	10N45	10N44	—
* Long Alumina	—	10N49L	10N48L	10N47L	—	—	—	—
* Lava	105Z43	105Z42	105Z44	105Z45	08N78	08N79	08N80	—
* Long Lava	12N03	105Z60	12N02	105Z61	—	—	—	—

### Gas Lens

Electrode Size - inch (mm)	.020 (0.5)	.040 (1.0)	1/16 (1.6)		3/32 (2.4)		1/8 (3.2)	
5 Insulator (required)	54N01	54N01	54N01	54N01	54N01	54N01	54N01	
2 Collet	10N21	10N22	10N23	10N23	10N24	10N24	10N25	
6 Gas Lens	45V29	45V24	45V25	45V25	45V26	45V26	45V27	
Nozzle Size - size # (inch)	4 (1/4)	5 (5/16)	6 (3/8)	7 (7/16)	8 (1/2)	10 (5/8)	12 (3/4)	Short
7 Alumina Gas Lens	54N18	54N17	54N16	54N15	54N14	—	—	54N19
* Long Gas Lens	—	54N17L	54N16L	54N15L	54N14L	—	—	—

### Large Diameter Gas Lens

Electrode Size - inch (mm)	.020 (0.5)	.040 (1.0)	1/16 (1.6)		3/32 (2.4)		1/8 (3.2)	
8 Insulator (required)	54N63	54N63	54N63	54N63	54N63	54N63	54N63	
2 Collet	10N21	10N22	10N23	10N23	10N24	10N24	10N25	
9 Large Diameter Gas Lens	45V0204	45V0204	45V116	45V116	45V64	45V64	995795	
Nozzle Size - size # (inch)	4 (1/4)	5 (5/16)	6 (3/8)	7 (7/16)	8 (1/2)	10 (5/8)	12 (3/4)	Short
10 Large Dia. Gas Lens	—	—	57N 75	—	57N74	53N88	53N87	53N89
* Large Dia. Gas Lens-L	—	—	57N75L	—	57N74L	53N88L	53N87L	—
* Large Dia. Gas Lens-XL	—	—	57N75XL	—	57N74XL	53N88XL	53N87XL	—
* Large Dia. Gas Lens-XXL	—	—	57N75XXL	—	57N74XXL	53N88XXL	53N87XXL	—

### Stubby Non-Gas Lens

Electrode Size - inch (mm)	.020 (0.5)	.040 (1.0)	1/16 (1.6)		3/32 (2.4)		1/8 (3.2)	
11 Insulator (required)	18CG20	18CG20	18CG20	18CG20	18CG20	18CG20	18CG20	
12 Stubby Collet	—	10N22S	10N23S	10N23S	10N24S	10N24S	10N25S	
13 Stubby Collet Body	17CB20	17CB20	17CB20	17CB20	17CB20	17CB20	17CB20	
Nozzle Size - size # (inch)	4 (1/4)	5 (5/16)	6 (3/8)	7 (7/16)	8 (1/2)	10 (5/8)	12 (3/4)	Short
14 Stubby Alumina	13N08	13N09	13N10	13N11	13N12	13N13	—	—

### Stubby Gas Lens

Electrode Size - inch (mm)	.020 (0.5)	.040 (1.0)	1/16 (1.6)		3/32 (2.4)		1/8 (3.2)	
15 Insulator (required)	17GLG20	17GLG20	17GLG20	17GLG20	17GLG20	17GLG20	17GLG20	
12 Stubby Collet	—	10N22S	10N23S	10N23S	10N24S	10N24S	10N25S	
16 Stubby Gas Lens	—	17GL040	17GL116	17GL116	17GL332	17GL332	17GL18	
Nozzle Size - size # (inch)	4 (1/4)	5 (5/16)	6 (3/8)	7 (7/16)	8 (1/2)	10 (5/8)	12 (3/4)	Short
17 Alumina Gas Lens	53N58	53N59	53N60	53N61	53N61S	—	—	—

### Back Caps

18 Short 57Y04	19 Medium 300M	20 Long 57Y02	18-7 Insulator Back Cap (not pictured)
----------------	----------------	---------------	--

\*Not shown.

## Weldcraft® W-180 Formerly WP-24W Series

**Hand-Held Water-Cooled**  
Service Parts/Consumables

Models		Braided Rubber		Vinyl	
Old Model	New Name	12.5 ft (3.8 m)	25 ft (7.6 m)	12.5 ft (3.8 m)	25 ft (7.6 m)
WP-24W	W-180	WP-24W-12-R	WP-24W-25-R	WP-24W-12	WP-24W-25

Torch packages include torch body, handle, power cable, gas hose, water hose, and collet body wrench.

Torch Body		Handles	
W-180	WP-24W	Ribbed	H100R
		Knurled	H100

### Power Cables and Hoses

	Vinyl		Braided	
	12.5 ft (3.8 m)	25 ft (7.6 m)	12.5 ft (3.8 m)	25 ft (7.6 m)
Power Cable	45V03HD	45V04HD	45V03RR	45V04RR
Water Hose*	45V07HD	45V08HD	45V07RBB	45V08RBB
Gas Hose*	45V09	45V10	45V09R	45V10R

\*Requires hose clamp 53N04



W-180  
(WP-24W)



**Cable Covers**  
#WC-3-22 22 ft (6.7 m)

**Extension Kit**  
#EK-1-25-R 25ft. (7.6 m), rubber

Note: Torch delivered may vary slightly from image shown.

## Consumables

### Non-Gas Lens

Electrode Size - inch (mm)	.040 (1.0)	1/16 (1.6)	3/32 (2.4)
1 Insulator (required)	53N22	53N22	53N22
2 Collet	53N16	53N14	24C332
3 Collet Body	53N18	53N19	24CB332
Nozzle Size - size # (inch)	4 (1/4)	5 (5/16)	6 (3/8)
4 Alumina	A53N24	A53N25	A53N27
* Lava	53N24	53N25	53N27
* Long Lava	53N28	—	53N26

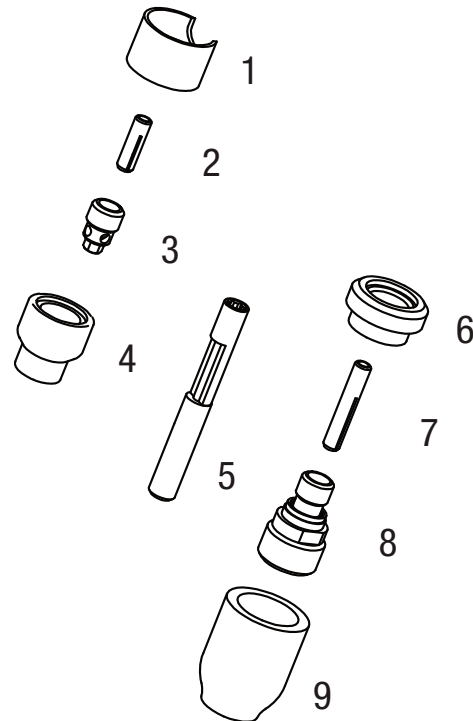
### Collet Body Wrench

5 53N20

### Gas Lens

Electrode Size - inch (mm)	.040 (1.0)	1/16 (1.6)	3/32 (2.4)		
6 Insulator (required)	53N66	53N66	53N66		
7 Collet	53N63	53N64	24GLC332		
8 Gas Lens	45V42	45V43	45V44		
Nozzle Size - size # (inch)	4 (1/4)	5 (5/16)	6 (3/8)	7 (7/16)	8 (1/2)
9 Alumina Gas Lens	53N58	53N59	53N60	53N61	53N61S

\*Not shown.





## Weldcraft® W-200 Formerly WP-25 Series

Hand-Held Water-Cooled  
Service Parts/Consumables

Models		Braided Rubber		Vinyl	
Old Model	New Name	12.5 ft (3.8 m)	25 ft (7.6 m)	12.5 ft (3.8 m)	25 ft (7.6 m)
WP-25	W-200 Pencil Flex	WP-25-12-R	WP-25-25-R	WP-25-12	WP-25-25

Torch packages include torch body, handle, power cable, gas hose, and water hose.

Torch Body		Handles	
W-200	WP-25	Knurled	53N06
		Ribbed	53N06R

Power Cables				
	Vinyl		Braided	
	12.5 ft (3.8 m)	25 ft (7.6 m)	12.5 ft (3.8 m)	25 ft (7.6 m)
Power Cable	45V03HD	45V04HD	45V03RR	45V04RR
Water Hose*	45V07HD	45V08HD	45V07RBB	45V08RBB
Gas Hose*	45V09	45V10	45V09R	45V10R

\*Requires hose clamp 53N04



W-200 Pencil Flex  
(WP-25)



Cable Covers  
#WC-3-22 22 ft (6.7 m)

Extension Kit  
#EK-1-25-R 25ft. (7.6 m), rubber

## Consumables

### Non-Gas Lens

Electrode Size - inch (mm)	.040 (1.0)		1/16 (1.6)		3/32 (2.4)		1/8 (3.2)		
1 Insulator (required)	598882		598882		598882		598882		
2 Collet	13N21		13N22		13N23		13N24		
3 Collet Body	13N26		13N27		13N28		13N29		
Nozzle Size - size # (inch)	3 (3/16)	4 (1/4)	5 (5/16)	6 (3/8)	7 (7/16)	8 (1/2)	10 (5/8)	12 (3/4)	Short
4 Alumina	—	13N08	13N09	13N10	13N11	13N12	13N13	—	—
* Lava	—	13N14	13N15	13N16	13N17	13N18	13N19	—	—
* Long Lava	796F70	796F71	796F72	796F73	—	—	—	—	—
* X-Long Lava	796F74	796F75	796F76	796F77	—	—	—	—	—

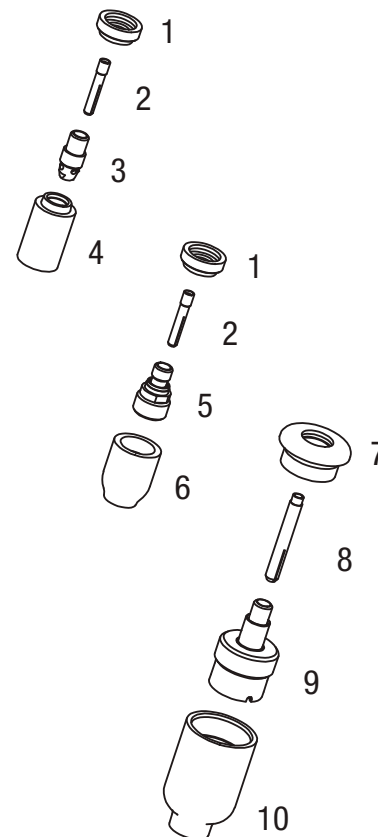
### Gas Lens

Electrode Size - inch (mm)	.040 (1.0)		1/16 (1.6)		3/32 (2.4)		1/8 (3.2)		
1 Insulator (required)	598882		598882		598882		598882		
2 Collet	13N21		13N22		13N23		13N24		
5 Gas Lens	45V42		45V43		45V44		45V45		
Nozzle Size - size # (inch)	3 (3/16)	4 (1/4)	5 (5/16)	6 (3/8)	7 (7/16)	8 (1/2)	10 (5/8)	12 (3/4)	Short
6 Alumina Gas Lens	—	53N58	53N59	53N60	53N61	53N61S	—	—	—

### Large Diameter Gas Lens

Electrode Size - inch (mm)	.040 (1.0)		1/16 (1.6)		3/32 (2.4)		1/8 (3.2)		
7 Insulator (required)	54N63-20		54N63-20		54N63-20		54N63-20		
8 Collet	13N21L		13N22L		13N23L		13N24L		
9 Large Diameter Gas Lens	45V0204S		45V116S		45V64S		995795S		
Nozzle Size - size # (inch)	3 (3/16)	4 (1/4)	5 (5/16)	6 (3/8)	7 (7/16)	8 (1/2)	10 (5/8)	12 (3/4)	Short
10 Large Dia. Gas Lens	—	—	—	57N75	—	57N74	53N88	53N87	53N89
* Large Dia. Gas Lens-L	—	—	—	57N75L	—	57N74L	53N88L	53N87L	—
* Large Dia. Gas Lens-XL	—	—	—	57N75XL	—	57N74XL	53N88XL	53N87XL	—
* Large Dia. Gas Lens-XXL	—	—	—	57N75XXL	—	57N74XXL	53N88XXL	53N87XXL	—

\*Not shown.



## Weldcraft® A-200 Series Formerly WP-26 Series

Hand-Held Air-Cooled  
Service Parts/Consumables



A-200  
(WP-26)

### Additional Torch Models



A-200 Flex  
(WP-26F)



A-200 Flex Valve  
(WP-26FV)



A-200 Valve  
(WP-26V)



A-200 Flex  
Redhead  
(WP-R26F)



A-200 Flex Valve  
Redhead  
(WP-R26FV)

Note: Torches delivered may vary slightly from images shown.

Models		1-Piece Power Cable Standard Rubber		2-Piece Power Cable Rubber
Old Model	New Name	12.5 ft (3.8 m)	25 ft (7.6 m)	25 ft (7.6 m)
WP-26	A-200	WP-26-12-R	WP-26-25-R	WP-26-25-2
WP-26V	A-200 Valve	WP-26V-12-R	WP-26V-25-R	WP-26V-25-2
WP-26F	A-200 Flex	WP-26F-12-R	WP-26F-25-R	WP-26F-25-2
WP-26FV	A-200 Flex Valve	WP-26FV-12-R	WP-26FV-25-R	WP-26FV-25-2

V= Valve F=Flex FV=Flex Valve

Torch packages include torch body, handle, power cable, and long back cap.

Torch Bodies		Valves	Handles	
A-200	WP-26	—	Ribbed	H-200R
A-200 Valve	WP-26V	VS-1	Knurled	H-200
Torch Bodies Optional				
A-200 Flex	WP-26F	—	Ribbed	10N15R
A-200 Flex Valve	WP-26FV	VS-1	Knurled	10N15
A-200 Redhead Flex	WP-R26F	—		
A-200 Redhead Flex Valve	WP-R26FV	VS-1		

Power Cables			
Rubber	1-Piece	2-Piece	
12.5 ft (3.8 m)	25 ft (7.6 m)	12.5 ft (3.8 m)	25 ft (7.6 m)
46V28R	46V30R	46V28-2	46V30-2
Replacement Gas Hose			
—	46V30R	45V09R	45V10R



**#AK3GL Gas Lens Accessory Kit**  
Includes one short back cap, one of each size (#6, #7, #8) alumina nozzle, and one of each size (1/16, 3/32, 1/8 inch) of the following: gas lens, collet, and 7-inch 2% ceriated tungsten electrode.

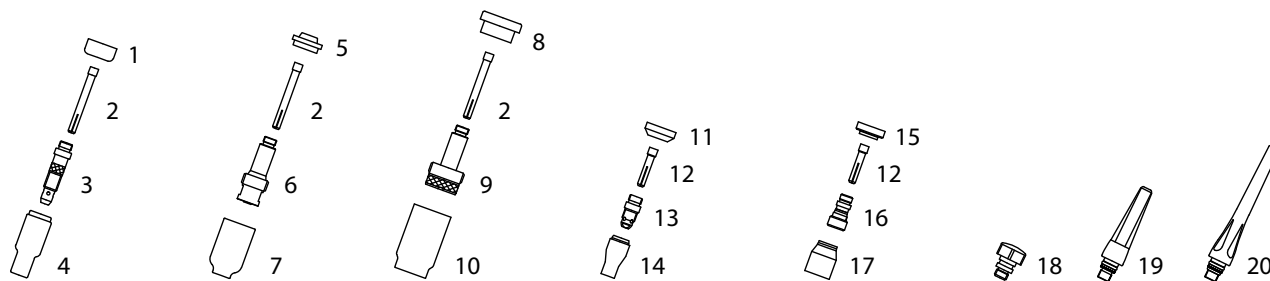


**#AK3C Accessory Kit**  
Includes one short back cap, three collets (one collet per size: 1/16, 3/32, 1/8), three collet bodies (one collet body per size: 1/16, 3/32, 1/8), three alumina nozzles (one nozzle per size: 5, 6, 8), and three 7-inch 2% ceriated tungsten electrodes (one electrode per size: 1/16, 3/32, 1/8).



**Cable Covers**  
#WC-3-10 10 ft (3 m)  
#WC-3-22 22 ft (6.7 m)

**Extension Kit**  
#EK325R  
25 ft (7.6 m),  
Rubber



## Consumables

### Non-Gas Lens

Electrode Size - inch (mm)	.020 (0.5)	.040 (1.0)	1/16 (1.6)			3/32 (2.4)		1/8 (3.2)	5/32 (4.0)
1 Insulator (required)	18CG	18CG	18CG			18CG		18CG	18CG
2 Collet	10N21	10N22	10N23			10N24		10N25	54N20
3 Collet Body	10N29	10N30	10N31			10N32		10N28	406488
Nozzle Size - size # (inch)	4 (1/4)	5 (5/16)	6 (3/8)	7 (7/16)	8 (1/2)	10 (5/8)	12 (3/4)	Short	
4 Alumina	10N50	10N49	10N48	10N47	10N46	10N45	10N44	—	
* Long Alumina	—	10N49L	10N48L	10N47L	—	—	—	—	
* Lava	105Z43	105Z42	105Z44	105Z45	08N78	08N79	08N80	—	
* Long Lava	12N03	105Z60	12N02	105Z61	—	—	—	—	

### Gas Lens

Electrode Size - inch (mm)	.020 (0.5)	.040 (1.0)	1/16 (1.6)			3/32 (2.4)		1/8 (3.2)	5/32 (4.0)
5 Insulator (required)	54N01	54N01	54N01			54N01		54N01	54N01
2 Collet	10N21	10N22	10N23			10N24		10N25	54N20
6 Gas Lens	45V29	45V24	45V25			45V26		45V27	45V28
Nozzle Size - size # (inch)	4 (1/4)	5 (5/16)	6 (3/8)	7 (7/16)	8 (1/2)	10 (5/8)	12 (3/4)	Short	
7 Alumina Gas Lens	54N18	54N17	54N16	54N15	54N14	—	—	54N19	
* Long Gas Lens	—	54N17L	54N16L	54N15L	54N14L	—	—	—	

### Large Diameter Gas Lens

Electrode Size - inch (mm)	.020 (0.5)	.040 (1.0)	1/16 (1.6)			3/32 (2.4)		1/8 (3.2)	5/32 (4.0)
8 Insulator (required)	54N63	54N63	54N63			54N63		54N63	54N63
2 Collet	10N21	10N22	10N23			10N24		10N25	54N20
9 Large Diameter Gas Lens	45V0204	45V0204	45V116			45V64		995795	45V63
Nozzle Size - size # (inch)	4 (1/4)	5 (5/16)	6 (3/8)	7 (7/16)	8 (1/2)	10 (5/8)	12 (3/4)	Short	
10 Large Dia. Gas Lens	—	—	57N75	—	57N74	53N88	53N87	53N89	
* Large Dia. Gas Lens-L	—	—	57N75L	—	57N74L	53N88L	53N87L	—	
* Large Dia. Gas Lens-XL	—	—	57N75XL	—	57N74XL	53N88XL	53N87XL	—	
* Large Dia. Gas Lens-XXL	—	—	57N75XXL	—	57N74XXL	53N88XXL	53N87XXL	—	

### Stubby Non-Gas Lens

Electrode Size - inch (mm)	.020 (0.5)	.040 (1.0)	1/16 (1.6)			3/32 (2.4)		1/8 (3.2)
11 Insulator (required)	18CG20	18CG20	18CG20			18CG20		18CG20
12 Stubby Collet	—	10N22S	10N23S			10N24S		10N25S
13 Stubby Collet Body	17CB20	17CB20	17CB20			17CB20		17CB20
Nozzle Size - size # (inch)	4 (1/4)	5 (5/16)	6 (3/8)	7 (7/16)	8 (1/2)	10 (5/8)	12 (3/4)	Short
14 Stubby Alumina	13N08	13N09	13N10	13N11	13N12	13N13	—	—

### Stubby Gas Lens

Electrode Size - inch (mm)	.020 (0.5)	.040 (1.0)	1/16 (1.6)			3/32 (2.4)		1/8 (3.2)
15 Insulator (required)	17GLG20	17GLG20	17GLG20			17GLG20		17GLG20
12 Stubby Collet	—	10N22S	10N23S			10N24S		10N25S
16 Stubby Gas Lens	—	17GL040	17GL118			17GL332		17GL18
Nozzle Size - size # (inch)	4 (1/4)	5 (5/16)	6 (3/8)	7 (7/16)	8 (1/2)	10 (5/8)	12 (3/4)	Short
17 Alumina Gas Lens	53N58	53N59	53N60	53N61	53N61S	—	—	—

### Back Caps

18 Short 57Y04	19 Medium 300M	20 Long 57Y02	18-7 Insulator Back Cap (not pictured)
----------------	----------------	---------------	--

\*Not shown.

# TIG Torches

## Weldcraft® A-250 Series

Hand-Held Air-Cooled  
Service Parts/Consumables



A-250  
(301525)



A-250 Valve  
(301526)

Note: Torches delivered may vary slightly from images shown.

<b>Models</b>	<b>2-Piece Power Cable, Rubber</b>
<b>Name</b>	<b>25 ft (7.6 m)</b>
A-250	301525025
A-250 Valve	301526025

Torch packages include torch body, handle, power cable, and long back cap.

Torch Bodies		Handles	
A-250	301525	Ribbed	H-200R
W-250 Valve	301526	Knurled	H-200

Valve Knob	
All valve models	VS-1

Power Cable	
2-Piece Rubber, 25 ft (7.6 m)	46V30-2



### #AK3GL Gas Lens Accessory Kit

Includes one short back cap, one of each size (#6, #7, #8) alumina nozzle, and one of each size (1/16, 3/32, 1/8 inch) of the following: gas lens, collet, and 7-inch 2% ceriated tungsten electrode.



### #AK3C Accessory Kit

Includes one short back cap, one of each size (#5, #6, #8) alumina nozzle, and one of each size (1/16, 3/32, 1/8 inch) of the following: collet, collet body, and 7-inch 2% ceriated tungsten electrode.



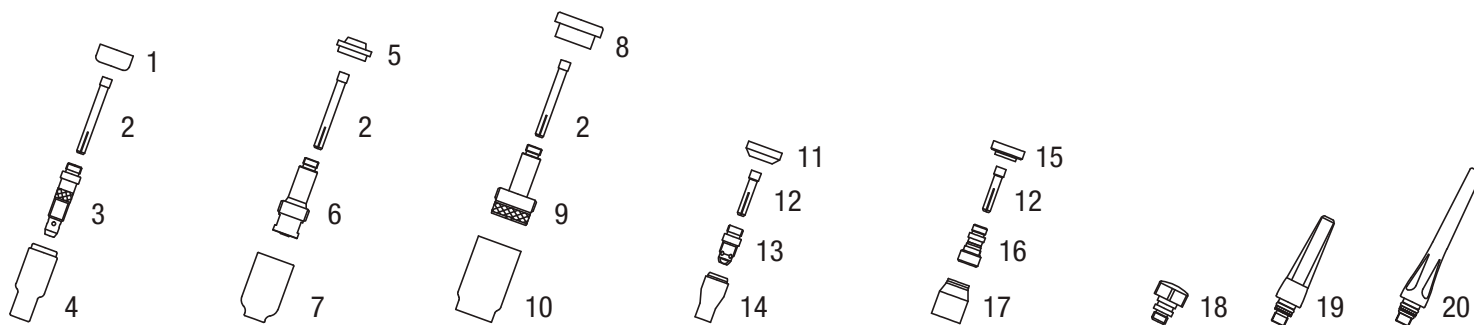
### Cable Covers

#WC-3-22 22 ft (6.7 m)

### Extension Kit

#EK325R 25ft. (7.6 m), rubber





## Consumables

### Non-Gas Lens

Electrode Size - inch (mm)	.040 (1.0)		1/16 (1.6)		3/32 (2.4)		1/8 (3.2)		5/32 (4.0)	
1 Insulator (required)	18CG		18CG		18CG		18CG		18CG	
2 Collet	10N22		10N23		10N24		10N25		54N20	
3 Collet Body	10N30		10N31		10N32		10N28		406488	
Nozzle Size - size # (inch)	4 (1/4)	5 (5/16)	6 (3/8)	7 (7/16)	8 (1/2)	10 (5/8)	12 (3/4)	Short		
4 Alumina	10N50	10N49	10N48	10N47	10N46	10N45	10N44	—		
* Long Alumina	—	10N49L	10N48L	10N47L	—	—	—	—		
* Lava	105Z43	105Z42	105Z44	105Z45	08N78	08N79	08N80	—		
* Long Lava	12N03	105Z60	12N02	105Z61	—	—	—	—		

### Gas Lens

Electrode Size - inch (mm)	.040 (1.0)		1/16 (1.6)		3/32 (2.4)		1/8 (3.2)		5/32 (4.0)	
5 Insulator (required)	54N01		54N01		54N01		54N01		54N01	
2 Collet	10N22		10N23		10N24		10N25		54N20	
6 Gas Lens	45V24		45V25		45V26		45V27		45V28	
Nozzle Size - size # (inch)	4 (1/4)	5 (5/16)	6 (3/8)	7 (7/16)	8 (1/2)	10 (5/8)	12 (3/4)	Short		
7 Alumina Gas Lens	54N18	54N17	54N16	54N15	54N14	—	—	54N19		
* Long Gas Lens	—	54N17L	54N16L	54N15L	—	—	—	—		

### Large Diameter Gas Lens

Electrode Size - inch (mm)	.040 (1.0)		1/16 (1.6)		3/32 (2.4)		1/8 (3.2)		5/32 (4.0)	
8 Insulator (required)	54N63		54N63		54N63		54N63		54N63	
2 Collet	10N22		10N23		10N24		10N25		54N20	
9 Large Diameter Gas Lens	45V0204		45V116		45V64		995795		45V63	
Nozzle Size - size # (inch)	4 (1/4)	5 (5/16)	6 (3/8)	7 (7/16)	8 (1/2)	10 (5/8)	12 (3/4)	Short		
10 Large Dia. Gas Lens	—	—	57N 75	—	57N74	53N88	53N87	53N89		
* Large Dia. Gas Lens-L	—	—	57N75L	—	57N74L	53N88L	53N87L	—		
* Large Dia. Gas Lens-XL	—	—	57N75XL	—	57N74XL	53N88XL	53N87XL	—		
* Large Dia. Gas Lens-XXL	—	—	57N75XXL	—	57N74XXL	53N88XXL	53N87XXL	—		

### Stubby Non-Gas Lens

Electrode Size - inch (mm)	.040 (1.0)		1/16 (1.6)		3/32 (2.4)		1/8 (3.2)		Short	
11 Insulator (required)	18CG20		18CG20		18CG20		18CG20		—	
12 Stubby Collet	10N22S		10N23S		10N24S		10N25S		—	
13 Stubby Collet Body	17CB20		17CB20		17CB20		17CB20		—	
Nozzle Size - size # (inch)	4 (1/4)	5 (5/16)	6 (3/8)	7 (7/16)	8 (1/2)	10 (5/8)	12 (3/4)	Short		
14 Stubby Alumina	13N08	13N09	13N10	13N11	13N12	13N13	—	—		

### Stubby Gas Lens

Electrode Size - inch (mm)	.040 (1.0)		1/16 (1.6)		3/32 (2.4)		1/8 (3.2)		Short	
15 Insulator (required)	17GLG20		17GLG20		17GLG20		17GLG20		—	
12 Stubby Collet	10N22S		10N23S		10N24S		10N25S		—	
16 Stubby Gas Lens	17GL040		17GL116		17GL332		17GL18		—	
Nozzle Size - size # (inch)	4 (1/4)	5 (5/16)	6 (3/8)	7 (7/16)	8 (1/2)	10 (5/8)	12 (3/4)	Short		
17 Alumina Gas Lens	53N58	53N59	53N60	53N61	53N61S	—	—	—		

### Back Caps

18 Short 57Y04      19 Medium 300M      20 Long 57Y02

\*Not shown.

# TIG Torches

## Weldcraft® W-250 Series Formerly WP-20 Series

Hand-Held Water-Cooled  
Service Parts/Consumables



W-250  
(WP-20)

**Cable Covers**  
#WC-3-10 10 ft (3 m)  
#WC-3-22 22 ft (6.7 m)



### Additional Torch Models



W-250 Valve  
(WP-20V)

**Note:** Torches delivered may vary slightly from images shown.

Models		Braided Rubber		Vinyl
Old Model	New Name	12.5 ft (3.8 m)	25 ft (7.6 m)	25 ft (7.6 m)
WP-20	W-250	WP-20-12-R	WP-20-25-R	WP-20-25
WP-20V	W-250 Valve	—	—	WP-20V-25

V= Valve

Torch packages include torch body, handle, power cable, long back cap, gas hose and water hose.

Torch Bodies		Valves	Handles	
W-250	WP-20	—	Knurled	53N06
W-250 Valve	WP-20V	VS-2	Ribbed	53N06R

### Power Cables

	Vinyl		Braided	
	12.5 ft (3.8 m)	25 ft (7.6 m)	12.5 ft (3.8 m)	25 ft (7.6 m)
Power Cable	45V03HD	45V04HD	45V03RR	45V04RR
Water Hose	45V07HD	45V08HD	45V07RBB	45V08RBB
Gas Hose	45V09	45V10HD	45V09R	45V10R



**#AK3GL Gas Lens Accessory Kit**  
Includes one short back cap, one of each size (#6, #7, #8) alumina nozzle, and one of each size (1/16, 3/32, 1/8 inch) of the following: gas lens, collet, and 7-inch 2% ceriated tungsten electrode.

### #AK4C Accessory Kit

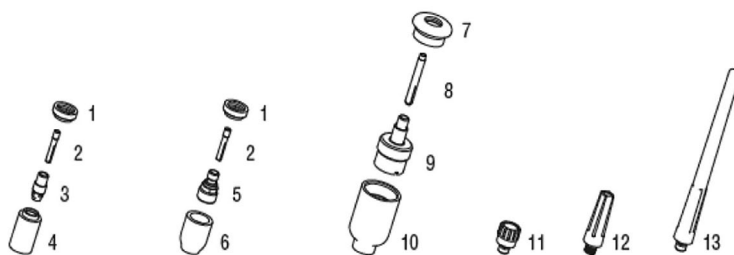
Includes one long back cap, three collets (one collet per size: 1/16, 3/32, 1/8), three collet bodies (one collet body per size: 1/16, 3/32, 1/8), three alumina nozzles (one nozzle per size: 5, 6, 7), and three 7-inch 2% ceriated tungsten electrodes (one electrode per size: 1/16, 3/32, 1/8).



### #AK4GL Gas Lens Accessory Kit

For W-200, W-225, W-250, W-280 and W-375. Includes one short back cap, one of each size (#6, #7, #8) alumina nozzle, and one of each size (1/16, 3/32, 1/8 inch) of the following: gas lens, collet, and 7-inch 2% ceriated tungsten electrode.





## Consumables

### Non-Gas Lens

Electrode Size - inch (mm)	.020 (0.5)		.040 (1.0)		1/16 (1.6)		3/32 (2.4)		1/8 (3.2)
1 Insulator (required)	598882		598882		598882		598882		598882
2 Collet	13N20		13N21		13N22		13N23		13N24
3 Collet Body	13N25		13N26		13N27		13N28		13N29
Nozzle Size - size # (inch)	3 (3/16)	4 (1/4)	5 (5/16)	6 (3/8)	7 (7/16)	8 (1/2)	10 (5/8)	12 (3/4)	Short
4 Alumina	—	13N08	13N09	13N10	13N11	13N12	13N13	—	—
* Lava	—	13N14	13N15	13N16	13N17	13N18	13N19	—	—
* Long Lava	796F70	796F71	796F72	796F73	—	—	—	—	—
* X-Long Lava	796F74	796F75	796F76	796F77	—	—	—	—	—

### Gas Lens

Electrode Size - inch (mm)	.020 (0.5)		.040 (1.0)		1/16 (1.6)		3/32 (2.4)		1/8 (3.2)
1 Insulator (required)	598882		598882		598882		598882		598882
2 Collet	13N20		13N21		13N22		13N23		13N24
5 Gas Lens	45V41		45V42		45V43		45V44		45V45
Nozzle Size - size # (inch)	3 (3/16)	4 (1/4)	5 (5/16)	6 (3/8)	7 (7/16)	8 (1/2)	10 (5/8)	12 (3/4)	Short
6 Alumina Gas Lens	—	53N58	53N59	53N60	53N61	53N61S	—	—	—

### Large Diameter Gas Lens

Electrode Size - inch (mm)	.020 (0.5)		.040 (1.0)		1/16 (1.6)		3/32 (2.4)		1/8 (3.2)
7 Insulator (required)	54N63-20		54N63-20		54N63-20		54N63-20		54N63-20
8 Collet	13N20L		13N21L		13N22L		13N23L		13N24L
9 Large Diameter Gas Lens	45V0204S		45V0204S		45V116S		45V64S		995795S
Nozzle Size - size # (inch)	3 (3/16)	4 (1/4)	5 (5/16)	6 (3/8)	7 (7/16)	8 (1/2)	10 (5/8)	12 (3/4)	Short
10 Large Dia. Gas Lens	—	—	—	57N75	—	57N74	53N88	53N87	53N89
* Large Dia. Gas Lens-L	—	—	—	57N75L	—	57N74L	53N88L	53N87L	—
* Large Dia. Gas Lens-XL	—	—	—	57N75XL	—	57N74XL	53N88XL	53N87XL	—
* Large Dia. Gas Lens-XXL	—	—	—	57N75XXL	—	57N74XXL	53N88XXL	53N87XXL	—

### 98W77 O-Ring

11 Short 41V33      12 Medium 41V35      13 Long 41V24

\*Not shown.

## Weldcraft® W-280 Series Formerly WP-280

Hand-Held Water-Cooled  
Service Parts/Consumables



W-280 Super Cool  
(Torch Body 301251)

269335  
Handle

Models		Braided Rubber			Braided Rubber with 50 mm Dinse
Old Model	New Name	12.5 (3.8 m)	25 (7.6 m)	50 (15.2 m)	25 (7.6 m)
WP-280	W-280 Super Cool™	301251012	301251025	301251050	301251001*

Torch packages include torch body, handle, power cable, long back cap, gas hose and water hose.  
\*Cable cover included.

Hose Part #	Description
269766	Water Hose 14 ft (4.2m), Braided
269767	Water Hose 26.5 ft (8.0m), Braided
269769	Water Hose 51.5 ft (15.7m) Braided
269770	Gas Hose 13.25 ft (4.0m) Braided
269771	Gas Hose 25.75 ft (7.8m) Braided
269773	Gas Hose 50.0 ft (15.2m) Braided
269757	Power Cable, 12.5 ft (3.8m)
269758	Power Cable, 25.0 ft (7.6m)
269759	Power Cable, 50.0 ft (15.2m)

**Cable Covers**  
#WC0183 11.75 ft (3.6 m)  
for use with 301253012

#WC0182 24.25 ft (7.4 m) for use  
with 301253025 and 301253001

**Extension Kit**  
#EK-1-25-R 25 ft (7.6 m), rubber



### #AK4C Accessory Kit

Includes one long back cap, three collets (one collet per size: 1/16, 3/32, 1/8), three collet bodies (one collet body per size: 1/16, 3/32, 1/8), three alumina nozzles (one nozzle per size: 5, 6, 7), and three 7-inch 2% ceriated tungsten electrodes (one electrode per size: 1/16, 3/32, 1/8).



### #AK4GL Accessory Kit

For W-200, W-225, W-250, W-280 and W-375. Includes one short back cap, one of each size (#6, #7, #8) alumina nozzle, and one of each size (1/16, 3/32, 1/8 inch) of the following: gas lens, collet, and 7-inch 2% ceriated tungsten electrode.

## Consumables

### Non-Gas Lens

Electrode Size — inch (mm)	.020 (0.5)	.040 (1.0)	1/16 (1.6)	3/32 (2.4)	1/8 (3.2)				
1 Insulator (required)	598882	598882	598882	598882	598882				
2 Collet	13N20	13N21	13N22	13N23	13N24				
3 Collet Body	13N25	13N26	13N27	13N28	13N29				
Nozzle Size — size # (inch)	3 (3/16)	4 (1/4)	5 (5/16)	6 (3/8)	7 (7/16)	8 (1/2)	10 (5/8)	12 (3/4)	Short
4 Alumina	—	13N08	13N09	13N10	13N11	13N12	13N13	—	—
* Lava	—	13N14	13N15	13N16	13N17	13N18	13N19	—	—
* Long Lava	796F70	796F71	796F72	796F73	—	—	—	—	—
* X-Long Lava	796F74	796F75	796F76	796F77	—	—	—	—	—

### Gas Lens

Electrode Size — inch (mm)	.020 (0.5)	.040 (1.0)	1/16 (1.6)	3/32 (2.4)	1/8 (3.2)				
1 Insulator (required)	598882	598882	598882	598882	598882				
2 Collet	13N20	13N21	13N22	13N23	13N24				
5 Gas Lens	45V41	45V42	45V43	45V44	45V45				
Nozzle Size — size # (inch)	3 (3/16)	4 (1/4)	5 (5/16)	6 (3/8)	7 (7/16)	8 (1/2)	10 (5/8)	12 (3/4)	Short
6 Alumina Gas Lens	—	53N58	53N59	53N60	53N61	53N61S	—	—	—

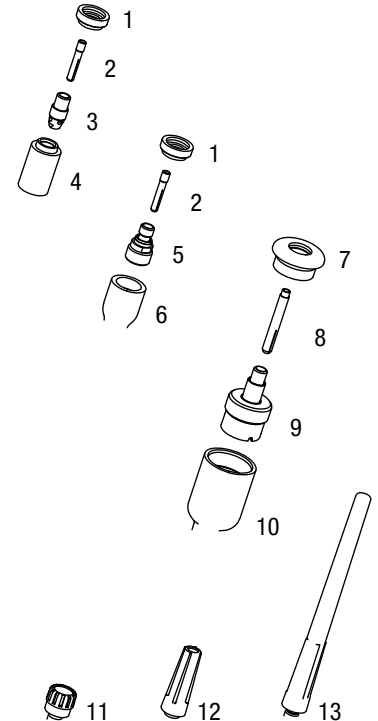
### Electrode Size — inch (mm)

Electrode Size — inch (mm)	54N63-20	54N63-20	54N63-20	54N63-20	54N63-20				
7 Insulator (required)	54N63-20	54N63-20	54N63-20	54N63-20	54N63-20				
8 Collet	13N20L	13N21L	13N22L	13N23L	13N24L				
9 Large Diameter Gas Lens	45V0204S	45V0204S	45V116S	45V64S	995795S				
Nozzle Size — size # (inch)	3 (3/16)	4 (1/4)	5 (5/16)	6 (3/8)	7 (7/16)	8 (1/2)	10 (5/8)	12 (3/4)	Short
10 Large Dia. Gas Lens	—	—	—	57N75	—	57N74	53N88	53N87	53N89
* Large Dia. Gas Lens-L	—	—	—	57N75L	—	57N74L	53N88L	53N87L	—
* Large Dia. Gas Lens-XL	—	—	—	57N75XL	—	57N74XL	53N88XL	53N87XL	—
* Large Dia. Gas Lens-XXL	—	—	—	57N75XXL	—	57N74XXL	53N88XXL	53N87XXL	—

### Back Caps

11 Short 41V33	12 Medium 41V35	13 Long 41V24
----------------	-----------------	---------------

\*Not shown.





## Weldcraft® W-310 Series

Formerly CS310

Hand-Held Water-Cooled  
Service Parts/Consumables

Models		Braided Rubber		
Old Model	New Name	12.5 ft (3.8 m)	25 ft (7.6 m)	50 ft (15.2 m)
CS310A	W-310	CS310-12	CS310-25	CS310-50

Torch packages include torch body, handle, power cable, long back cap, gas hose, water hose and cable cover.

Torch Bodies		Handles		
W-310	CS310A	D-Handle	CS110-H	

Power Cables		Braided		
		12.5 ft (3.8m)	25 ft (7.6m)	50 ft (15.2m)
Power Cable	269764	269765	CS310-50PC	
Water Hose	CS310-12W	CS310-25W	CS310-50W	
Gas Hose	CS310-12G	CS310-25G	CS310-50G	

### #AK4C Accessory Kit

Includes one long back cap, three collets (one collet per size: 1/16, 3/32, 1/8), three alumina nozzles (one nozzle per size: 1/16, 3/32, 1/8), three alumina nozzles (one nozzle per size: 5, 6, 7), and three 7-inch 2% ceriated tungsten electrodes (one electrode per size: 1/16, 3/32, 1/8).



W-310  
(CS310A)



### Cable Covers

- #WC-3-10 10 ft (3 m)
- #WC-3-22 22 ft (6.7 m)
- #WC-3-48 48 ft (14.6 m)

### Extension Kit

- #EK-1-25-R 25 ft (7.6 m), Rubber

## Consumables

### Non-Gas Lens

Electrode Size - inch (mm)	.020 (0.5)	.040 (1.0)	1/16 (1.6)	3/32 (2.4)	1/8 (3.2)				
1 Insulator (required)	598882	598882	598882	598882	598882				
2 Collet	13N20	13N21	13N22	13N23	13N24				
3 Collet Body	13N25	13N26	13N27	13N28	13N29				
Nozzle Size - size # (inch)	3 (3/16)	4 (1/4)	5 (5/16)	6 (3/8)	7 (7/16)	8 (1/2)	10 (5/8)	12 (3/4)	Short
4 Alumina	—	13N08	13N09	13N10	13N11	13N12	13N13	—	—
* Lava	—	13N14	13N15	13N16	13N17	13N18	13N19	—	—
* Long Lava	796F70	796F71	796F72	796F73	—	—	—	—	—
* X-Long Lava	796F74	796F75	796F76	796F77	—	—	—	—	—

### Gas Lens

Electrode Size - inch (mm)	.020 (0.5)	.040 (1.0)	1/16 (1.6)	3/32 (2.4)	1/8 (3.2)				
1 Insulator (required)	598882	598882	598882	598882	598882				
2 Collet	13N20	13N21	13N22	13N23	13N24				
5 Gas Lens	45V41	45V42	45V43	45V44	45V45				
Nozzle Size - size # (inch)	3 (3/16)	4 (1/4)	5 (5/16)	6 (3/8)	7 (7/16)	8 (1/2)	10 (5/8)	12 (3/4)	Short
6 Alumina Gas Lens	—	53N58	53N59	53N60	53N61	53N61S	—	—	—

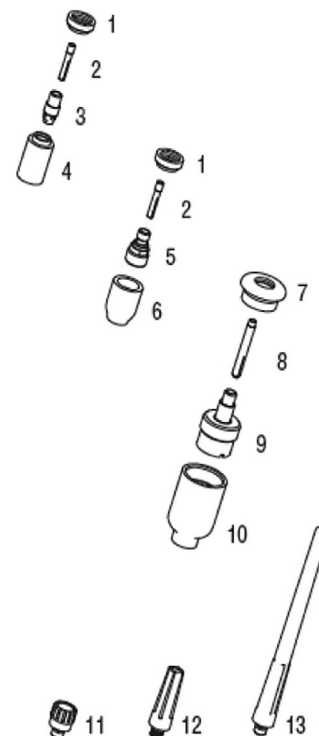
### Large Diameter Gas Lens

Electrode Size - inch (mm)	.020 (0.5)	.040 (1.0)	1/16 (1.6)	3/32 (2.4)	1/8 (3.2)				
7 Insulator (required)	54N63-20	54N63-20	54N63-20	54N63-20	54N63-20				
8 Collet	13N20L	13N21L	13N22L	13N23L	13N24L				
9 Large Diameter Gas Lens	45V0204S	45V0204S	45V116S	45V64S	995795S				
Nozzle Size - size # (inch)	3 (3/16)	4 (1/4)	5 (5/16)	6 (3/8)	7 (7/16)	8 (1/2)	10 (5/8)	12 (3/4)	Short
10 Large Dia. Gas Lens	—	—	—	57N75	—	57N74	53N88	53N87	53N89
* Large Dia. Gas Lens-L	—	—	—	57N75L	—	57N74L	53N88L	53N87L	—
* Large Dia. Gas Lens-XL	—	—	—	57N75XL	—	57N74XL	53N88XL	53N87XL	—
* Large Dia. Gas Lens-XXL	—	—	—	57N75XXL	—	57N74XXL	53N88XXL	53N87XXL	—

### Back Caps

- 11 Short CS110-BCS
- 12 Medium 41V35
- 13 Long 41V24

\*Not shown.



# TIG Torches

## Weldcraft® W-350 Series Formerly WP-18 Series

Hand-Held Water-Cooled  
Service Parts/Consumables



W-350  
(WP-18)

### Additional Torch Models



Note: Torches delivered may vary slightly from images shown.

Models		Rubber		Vinyl	
Old Model	New Name	12.5 ft (3.8 m)	25 ft (7.6 m)	12.5 ft (3.8 m)	25 ft (7.6 m)
WP-18	W-350	WP-18-12-R	WP-18-25-R	WP-18-12	WP-18-25
WP-18V	W-350 Valve	—	WP-18V-25-R	—	WP-18V-25

V= Valve  
Torch packages include torch body, handle, power cable, long back cap, gas hose and water hose.

Torch Bodies		Valves	Handles	
W-350	WP-18	—	Ribbed	H-200R
W-350 Valve	WP-18V	VS-1	Knurled	H-200

Power Cables				
	Vinyl		Rubber (PC)	Braided (G&W)
	12.5 ft (3.8 m)	25 ft (7.6 m)	12.5 ft (3.8 m)	25 ft (7.6 m)
Power Cable	40V64	41V29	40V64R	41V29R
Water Hose	40V74	41V32	40V74R	41V32R
Gas Hose	40V75	41V30	40V75R18	41V30R18



**#AK3GL Gas Lens Accessory Kit**  
For A-150, A-200 and A-250. Includes one short back cap, one of each size (#6, #7, #8) alumina nozzle, and one of each size (1/16, 3/32, 1/8 inch) of the following: gas lens, collet, and 7-inch 2% ceriated tungsten electrode.



**#MAK-2S Accessory Kit**  
For W-350 Series. Includes one short and one long back cap, four back cap o-rings, two cup gaskets, one gas lens insulator, and one of each size (.040, 1/16, 3/32, 1/8 inch) gas lens. Also includes the following: ten collets (1) .040, (3) 1/16, (3) 3/32, (2) 1/8, (1) 5/32; and eight collet bodies (1) .040, (2) 1/16, (2) 3/32, (2) 1/8, (1) 5/32.

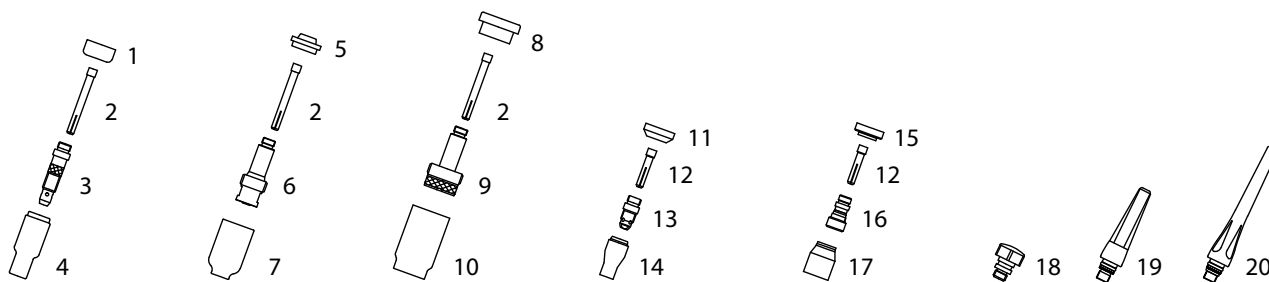


**#AK3C Accessory Kit**  
Includes one short back cap, three collets (one collet per size: 1/16, 3/32, 1/8), three collet bodies (one collet body per size: 1/16, 3/32, 1/8), three alumina nozzles (one nozzle per size: 5, 6, 7), and three 7-inch 2% ceriated tungsten electrodes (one electrode per size: 1/16, 3/32, 1/8).



**Cable Covers**  
#WC-3-10 10 ft (3 m)  
#WC-3-22 22 ft (6.7 m)

**Extension Kit**  
#EK-1-25-R 25 ft (7.6 m), Rubber



## Consumables

### Non-Gas Lens

Electrode Size - inch (mm)	.020 (0.5)	.040 (1.0)	1/16 (1.6)		3/32 (2.4)		1/8 (3.2)	5/32 (4.0)
1 Insulator (required)	18CG	18CG	18CG		18CG		18CG	18CG
2 Collet	10N21	10N22	10N23		10N24		10N25	54N20
3 Collet Body	10N29	10N30	10N31		10N32		10N28	406488
Nozzle Size - size # (inch)	4 (1/4)	5 (5/16)	6 (3/8)	7 (7/16)	8 (1/2)	10 (5/8)	12 (3/4)	Short
4 Alumina	10N50	10N49	10N48	10N47	10N46	10N45	10N44	—
* Long Alumina	—	10N49L	10N48L	10N47L	—	—	—	—
* Lava	105Z43	105Z42	105Z44	105Z45	08N78	08N79	08N80	—
* Long Lava	12N03	105Z60	12N02	105Z61	—	—	—	—

### Gas Lens

Electrode Size - inch (mm)	.020 (0.5)	.040 (1.0)	1/16 (1.6)		3/32 (2.4)		1/8 (3.2)	5/32 (4.0)
5 Insulator (required)	54N01	54N01	54N01		54N01		54N01	54N01
2 Collet	10N21	10N22	10N23		10N24		10N25	54N20
6 Gas Lens	45V29	45V24	45V25		45V26		45V27	45V28
Nozzle Size - size # (inch)	4 (1/4)	5 (5/16)	6 (3/8)	7 (7/16)	8 (1/2)	10 (5/8)	12 (3/4)	Short
7 Alumina Gas Lens	54N18	54N17	54N16	54N15	54N14	—	—	54N19
* Long Gas Lens	—	54N17L	54N16L	54N15L	54N14L	—	—	—

### Large Diameter Gas Lens

Electrode Size - inch (mm)	.020 (0.5)	.040 (1.0)	1/16 (1.6)		3/32 (2.4)		1/8 (3.2)	5/32 (4.0)
8 Insulator (required)	54N63	54N63	54N63		54N63		54N63	54N63
2 Collet	10N21	10N22	10N23		10N24		10N25	54N20
9 Large Diameter Gas Lens	45V0204	45V0204	45V116		45V64		995795	45V63
Nozzle Size - size # (inch)	4 (1/4)	5 (5/16)	6 (3/8)	7 (7/16)	8 (1/2)	10 (5/8)	12 (3/4)	Short
10 Large Dia. Gas Lens	—	—	57N75	—	57N74	53N88	53N87	53N89
* Large Dia. Gas Lens-L	—	—	57N75L	—	57N74L	53N88L	53N87L	—
* Large Dia. Gas Lens-XL	—	—	57N75XL	—	57N74XL	53N88XL	53N87XL	—
* Large Dia. Gas Lens-XXL	—	—	57N75XXL	—	57N74XXL	53N88XXL	53N87XXL	—

### Stubby Non-Gas Lens

Electrode Size - inch (mm)	.020 (0.5)	.040 (1.0)	1/16 (1.6)		3/32 (2.4)		1/8 (3.2)	
11 Insulator (required)	18CG20	18CG20	18CG20		18CG20		18CG20	
12 Stubby Collet	—	10N22S	10N23S		10N24S		10N25S	
13 Stubby Body Collet	17CB20	17CB20	17CB20		17CB20		17CB20	
Nozzle Size - size # (inch)	4 (1/4)	5 (5/16)	6 (3/8)	7 (7/16)	8 (1/2)	10 (5/8)	12 (3/4)	Short
14 Stubby Alumina	13N08	13N09	13N10	13N11	13N12	13N13	—	—

### Stubby Gas Lens

Electrode Size - inch (mm)	.020 (0.5)	.040 (1.0)	1/16 (1.6)		3/32 (2.4)		1/8 (3.2)	
15 Insulator (required)	17GLG20	17GLG20	17GLG20		17GLG20		17GLG20	
12 Stubby Collet	—	10N22S	10N23S		10N24S		10N25S	
16 Stubby Gas Lens	—	17GL040	17GL118		17GL332		17GL118	
Nozzle Size - size # (inch)	4 (1/4)	5 (5/16)	6 (3/8)	7 (7/16)	8 (1/2)	10 (5/8)	12 (3/4)	Short
17 Alumina Gas Lens	53N58	53N59	53N60	53N61	53N61S	—	—	—

### Back Caps

18 Short 57Y04	19 Medium 300M	20 Long 57Y02
----------------	----------------	---------------

\*Not shown.

## Weldcraft® W-375 Series

Hand-Held Water-Cooled  
Service Parts/Consumables

	Braided Rubber		Braided Rubber with 50 mm Dinse
<b>New Name</b>	<b>12.5 (3.8 m)</b>	<b>25 (7.6 m)</b>	<b>25 (7.6 m)</b>
W-375 Super Cool™	301253012	301253025	301253001*

Torch packages include torch body, handle, power cable, long back cap, gas hose, water hose and cable cover.  
\*Cable cover included.

Hose Part #	Description
269766	Water Hose 14 ft (4.2m), Braided
269767	Water Hose 26.5 ft (8.0m), Braided
269770	Gas Hose 13.25 ft (4.0m) Braided
269771	Gas Hose 25.75 ft (7.8m) Braided
269764	Power Cable, 12.5 ft (3.8m)
269765	Power Cable, 25.0 ft (7.6m)

### #AK4C Accessory Kit

Includes one long back cap, three collets (one collet per size: 1/16, 3/32, 1/8), three collet bodies (one collet body per size: 1/16, 3/32, 1/8), three alumina nozzles (one nozzle per size: 5, 6, 7), and three 7-inch 2% ceriated tungsten electrodes (one electrode per size: 1/16, 3/32, 1/8).



### #AK4GL Gas Lens Accessory Kit

For W-200, W-225, W-250, W-280 and W-375. Includes one short back cap, one of each size (#6, #7, #8) alumina nozzle, and one of each size (1/16, 3/32, 1/8 inch) of the following: gas lens, collet, and 7-inch 2% ceriated tungsten electrode.



W-375 Super Cool  
(Torch Body - 301253)  
269335  
Handle

#WC0183 11.75 ft (3.6 m)  
for use with 301253012

#WC0182 24.25 ft (7.4 m)  
for use with 301253025  
and 301253001

Extension Kit  
#EK-1-25-R 25 ft (7.6 m), rubber



## Consumables

### Non-Gas Lens

Electrode Size — inch (mm)	.020 (0.5)	.040 (1.0)	1/16 (1.6)			3/32 (2.4)		1/8 (3.2)	
1 Insulator (required)	598882	598882	598882	598882	598882	598882	598882	598882	598882
2 Collet	13N20	13N21	13N22	13N22	13N22	13N23	13N23	13N24	13N24
3 Collet Body	13N25	13N26	13N27	13N27	13N27	13N28	13N28	13N29	13N29
Nozzle Size — size # (inch)	3 (3/16)	4 (1/4)	5 (5/16)	6 (3/8)	7 (7/16)	8 (1/2)	10 (5/8)	12 (3/4)	Short
4 Alumina	—	13N08	13N09	13N10	13N11	13N12	13N13	—	—
* Lava	—	13N14	13N15	13N16	13N17	13N18	13N19	—	—
* Long Lava	796F70	796F71	796F72	796F73	—	—	—	—	—
* X-Long Lava	796F74	796F75	796F76	796F77	—	—	—	—	—

### Gas Lens

Electrode Size — inch (mm)	.020 (0.5)	.040 (1.0)	1/16 (1.6)		3/32 (2.4)		1/8 (3.2)		
1 Insulator (required)	598882	598882	598882	598882	598882	598882	598882	598882	
2 Collet	13N20	13N21	13N22	13N22	13N23	13N23	13N24	13N24	
5 Gas Lens	45V41	45V42	45V43	45V43	45V44	45V44	45V45	45V45	
Nozzle Size — size # (inch)	3 (3/16)	4 (1/4)	5 (5/16)	6 (3/8)	7 (7/16)	8 (1/2)	10 (5/8)	12 (3/4)	Short
6 Alumina Gas Lens	—	53N58	53N59	53N60	53N61	53N61S	—	—	—

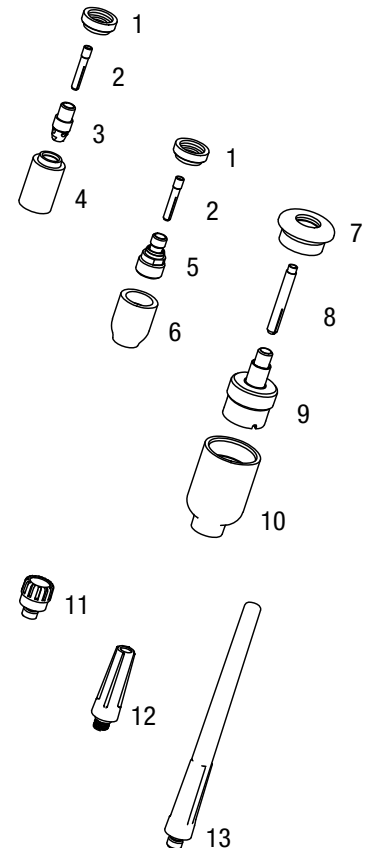
### Electrode Size — inch (mm)

7 Insulator (required)	54N63-20	54N63-20	54N63-20	54N63-20	54N63-20	54N63-20	54N63-20	54N63-20	54N63-20
8 Collet	13N20L	13N21L	13N22L	13N22L	13N23L	13N23L	13N24L	13N24L	13N24L
9 Large Diameter Gas Lens	45V0204S	45V0204S	45V116S	45V116S	45V64S	45V64S	995795S	995795S	995795S
Nozzle Size — size # (inch)	3 (3/16)	4 (1/4)	5 (5/16)	6 (3/8)	7 (7/16)	8 (1/2)	10 (5/8)	12 (3/4)	Short
10 Large Dia. Gas Lens	—	—	—	57N75	—	57N74	53N88	53N87	53N89
* Large Dia. Gas Lens-L	—	—	—	57N75L	—	57N74L	53N88L	53N87L	—
* Large Dia. Gas Lens-XL	—	—	—	57N75XL	—	57N74XL	53N88XL	53N87XL	—
* Large Dia. Gas Lens-XXL	—	—	—	57N75XXL	—	57N74XXL	53N88XXL	53N87XXL	—

### Back Caps

11 Short 41V33	12 Medium 41V35	13 Long 41V24
----------------	-----------------	---------------

\*Not shown.







## Weldcraft® W-400 Super Cool Formerly WP-18SC Series

Hand-Held Water-Cooled  
Service Parts/Consumables



W-400 Super Cool  
(WP-18SC)



**Cable Covers**  
#WC-3-10 10 ft (3 m)  
#WC-3-22 22 ft (6.7 m)

**Extension Kit**  
#EK-1-25-R 25 ft (7.6 m), Rubber

Models		Rubber		Vinyl	
Old Model	New Name	12.5 ft (3.8 m)	25 ft (7.6 m)	12.5 ft (3.8 m)	25 ft (7.6 m)
WP-18SC	W-400 Super Cool™	WP-18SC-12-R	WP-18SC-25-R	WP-18SC-12	WP-18SC-25

Torch packages include torch body, handle, power cable, long back cap, gas hose and water hose.

Torch Body		Handle	
W-400	WP-18SC	Knurled	H-200

	Vinyl		Braided Rubber	
	12.5 ft (3.8 m)	25 ft (7.6 m)	12.5 ft (3.8 m)	25 ft (7.6 m)
Power Cable	40V64	41V29	40V64R	41V29R
Water Hose	40V74	41V32	40V74R	45V08RBB
Gas Hose	40V75	41V30	40V75R18	41V30R18

### #AK18C Accessory Kit

Includes one short back cap, one of each size (#6, #7, #8) alumina nozzle, one of each size (3/32, 1/8 HD, 5/32 HD) collet, one of each size (.020-1/8 inch, 1/8-3/16 inch) collet body, and one of each size (3/32, 1/8, 5/32 inch) 7-inch 2% ceriated tungsten electrode.



### #AK3GL Gas Lens Accessory Kit

For A-150, A-200 and A-250. Includes one short back cap, one of each size (#6, #7, #8) alumina nozzle, and one of each size (1/16, 3/32, 1/8 inch) of the following: gas lens, collet, and 7-inch 2% ceriated tungsten electrode.



## Consumables

### Non-Gas Lens

Electrode Size - inch (mm)	.040 (1.0)	1/16 (1.6)	3/32 (2.4)	1/8 (3.2)	5/32 (4.0)	3/16 (4.8)		
1 Insulator (required)	18NG	18NG	18NG	18NG	18NG	18NG		
2 Collet	10N22	10N23	10N24	10N25	—	—		
3 Collet Body	NCB-53	NCB-53	NCB-53	NCB-53	—	—		
4 Heavy-Duty Collet	—	—	—	10N25HD	54N20HD	18C36		
5 HD Nose Collet Body	—	—	—	NCB-36	NCB-36	NCB-36		
Nozzle Size - size # (inch)	4 (1/4)	5 (5/16)	6 (3/8)	7 (7/16)	8 (1/2)	10 (5/8)	12 (3/4)	Short
6 Alumina	54N18	54N17	54N16	54N15	54N14	—	—	54N19
* Long Alumina	—	54N17L	54N16L	54N15L	—	—	—	—

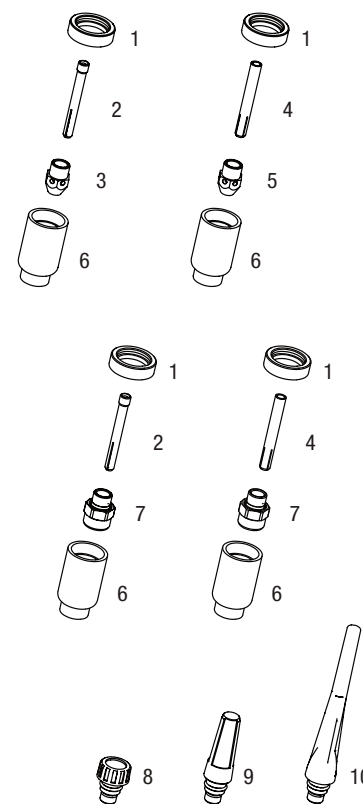
### Gas Lens

Electrode Size - inch (mm)	.040 (1.0)	1/16 (1.6)	3/32 (2.4)	1/8 (3.2)	5/32 (4.0)	3/16 (4.8)		
1 Insulator (required)	18NG	18NG	18NG	18NG	18NG	18NG		
2 Collet	10N22	10N23	10N24	10N25	—	—		
4 Heavy-Duty Collet	—	—	—	10N25HD	54N20HD	18C36		
7 Gas Lens	18GL04	18GL16	18GL32	18GL18	18GL53	18GL36		
Nozzle Size - size # (inch)	4 (1/4)	5 (5/16)	6 (3/8)	7 (7/16)	8 (1/2)	10 (5/8)	12 (3/4)	Short
6 Alumina Gas Lens	54N18	54N17	54N16	54N15	54N14	—	—	54N19
* Long Gas Lens	—	54N17L	54N16L	54N15L	—	—	—	—

### Back Caps

8 Short 57Y04	9 Medium 300M	10 Long 57Y02
---------------	---------------	---------------

\*Not shown.



# TIG Torches

## Weldcraft® Modular Series

### Hand-Held TIG Service Parts/Consumables

Models		Braided Rubber		Vinyl	Textured Handle
Old Model	New Name	12.5 ft (3.8 m)	25 ft (7.6 m)	25 ft (7.6 m)	—
WP-225	W-225 Modular	WP-225-12-R	WP-225-25-R	WP-225-25	53N06

Torch packages include torch body, handle, power cable, gas hose, water hose and 1726 and 9-70 torch heads.

	Vinyl		Braided Rubber	
	12.5 ft (3.8 m)	25 ft (7.6 m)	12.5 ft (3.8 m)	25 ft (7.6 m)
Power Cable	45V03HD	45V04HD	45V03RR	45V04RR
Water Hose	45V07HD	45V08HD	45V07RBB	45V08RBB
Gas Hose	45V09	45V10	45V09R	45V10R



**#AK-225MFC Accessory Kit**  
Supplements W-225 (WP-225) modular torch packages. Includes 5 additional torch heads, collet, collet bodies, nozzles, handle and more.



**Cable Covers**  
#WC-3-10 10 ft (3 m)  
#WC-3-22 22 ft (6.7 m)



W-225 Modular (WP-225)

**Type**  
Water-Cooled

**Rated Output**  
DC: 225 A, AC: 160 A

**Duty Cycle**  
100%

**Electrode Range**  
.020-5/32 in (0.5-4.0 mm)



24      24-90      9-70      9-90      9P      1726      1726P

Torch Head	Angle	Electrode Range	A-150 Modular* Amp Rating		A-200 Modular* Amp Rating		W-225 Modular** Amp Rating	
			DC	AC	DC	AC	DC	AC
24	70°	.020-3/32 in. (0.5-2.4 mm)	80	50	80	50	160	115
24-90	90°	.020-3/32 in. (0.5-2.4 mm)	80	50	80	50	160	115
9-70	70°	.020-1/8 in. (0.5-3.2 mm)	125	100	125	100	200	140
9-90	90°	.020-1/8 in. (0.5-3.2 mm)	125	100	125	100	200	140
9P	180°	.020-1/8 in. (0.5-3.2 mm)	125	100	125	100	200	140
1726	70°	.020-5/32 in. (0.5-4.0 mm)	150	115	200	140	225	160
1726P	180°	.020-5/32 in. (0.5-4.0 mm)	150	115	200	140	225	160

## TIG Torch Configurator

Our new TIG Torch Configurator is a simple way to make sure you are using the right torch and consumables for your application. Answer a few simple questions about your specific application and get a recommendation for the appropriate torch, tungsten, collet, collet body and more. Email or print the recommendation for reference when purchasing your next Weldcraft torch.

**Miller, Torch Product Selector**

Choose Products

- Torches Only
- Consumables Only
- Both Torches and Consumables

**Miller, Torch Product Selector**

Work Material

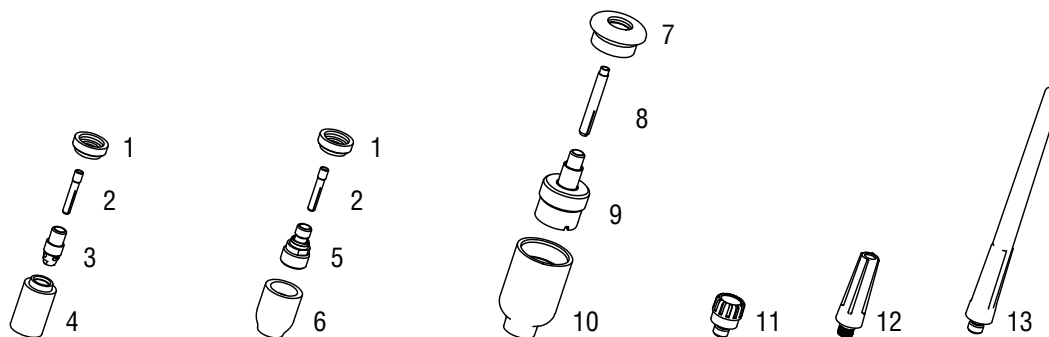
- Mild Steel/ Stainless Steel
- Deoxidized Copper
- Titanium
- Magnesium
- Aluminum

Part Number	Description	Quantity
WC25K7	2% Thoriated Tungsten (1/16" dia.)	5
54819	Large Diameter SL Insulator	1
53N8KXL	#10 Large Dia. 4L Aluminum Nozzle XXXLong	1
50K24	Collet for 3/32" dia. Tungsten	1
48W6	Large Gas Lens for 3/32" dia. Tungsten	1
30008	Medium Mouth Cap	1

Visit now at [MillerWelds.com/torchconfig](http://MillerWelds.com/torchconfig)



## 9-70, 9-90 and 9P Modular Series Consumables



### Non-Gas Lens

Electrode Size - inch (mm)	.020 (0.5)		.040 (1.0)		1/16 (1.6)		3/32 (2.4)		1/8 (3.2)
1 Insulator (required)	598882		598882		598882		598882		598882
2 Collet	13N20		13N21		13N22		13N23		13N24
3 Collet Body	13N25		13N26		13N27		13N28		13N29
Nozzle Size - size # (inch)	3 (3/16)	4 (1/4)	5 (5/16)	6 (3/8)	7 (7/16)	8 (1/2)	10 (5/8)	12 (3/4)	Short
4 Alumina	—	13N08	13N09	13N10	13N11	13N12	13N13	—	—
* Lava	—	13N14	13N15	13N16	13N17	13N18	13N19	—	—
* Long Lava	796F70	796F71	796F72	796F73	—	—	—	—	—
* X-Long Lava	796F74	796F75	796F76	796F77	—	—	—	—	—

### Gas Lens

Electrode Size - inch (mm)	.020 (0.5)		.040 (1.0)		1/16 (1.6)		3/32 (2.4)		1/8 (3.2)
1 Insulator (required)	598882		598882		598882		598882		598882
2 Collet	13N20		13N21		13N22		13N23		13N24
5 Gas Lens	45V41		45V42		45V43		45V44		45V45
Nozzle Size - size # (inch)	3 (3/16)	4 (1/4)	5 (5/16)	6 (3/8)	7 (7/16)	8 (1/2)	10 (5/8)	12 (3/4)	Short
6 Alumina Gas Lens	—	53N58	53N59	53N60	53N61	53N61S	—	—	—

### Large Diameter Gas Lens

Electrode Size - inch (mm)	.020 (0.5)		.040 (1.0)		1/16 (1.6)		3/32 (2.4)		1/8 (3.2)
7 Insulator (required)	54N63-20		54N63-20		54N63-20		54N63-20		54N63-20
8 Collet	13N20L		13N21L		13N22L		13N23L		13N24L
9 Large Diameter Gas Lens	45V0204S		45V0204S		45V116S		45V64S		995795S
Nozzle Size - size # (inch)	3 (3/16)	4 (1/4)	5 (5/16)	6 (3/8)	7 (7/16)	8 (1/2)	10 (5/8)	12 (3/4)	Short
10 Large Dia. Gas Lens	—	—	—	57N75	—	57N74	53N88	53N87	53N89
* Large Dia. Gas Lens-L	—	—	—	57N75L	—	57N74L	53N88L	53N87L	—
* Large Dia. Gas Lens-XL	—	—	—	57N75XL	—	57N74XL	53N88XL	53N87XL	—
* Large Dia. Gas Lens-XXL	—	—	—	57N75XXL	—	57N74XXL	53N88XXL	53N87XXL	—

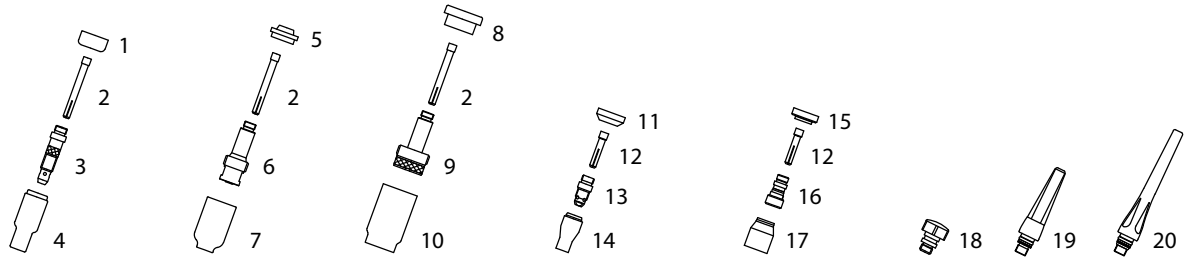
### Back Caps

11 Short 41V33      12 Medium 41V35      13 Long 41V24

\*Not shown.

# TIG Torches

## 1726 and 1726P Torch Head Modular Series Consumables



### Non-Gas Lens

Electrode Size - inch (mm)	.020 (0.5)	.040 (1.0)		1/16 (1.6)		3/32 (2.4)		1/8 (3.2)	5/32 (4.0)
1 Insulator (required)	18CG	18CG		18CG		18CG		18CG	18CG
2 Collet	10N21	10N22		10N23		10N24		10N25	54N20
3 Collet Body	10N29	10N30		10N31		10N32		10N28	406488
<b>Nozzle Size - size # (inch)</b>	<b>4 (1/4)</b>	<b>5 (5/16)</b>		<b>6 (3/8)</b>	<b>7 (7/16)</b>	<b>8 (1/2)</b>	<b>10 (5/8)</b>	<b>12 (3/4)</b>	<b>Short</b>
4 Alumina	10N50	10N49		10N48	10N47	10N46	10N45	10N44	—
* Long Alumina	—	10N49L		10N48L	10N47L	—	—	—	—
* Lava	10S243	10S242		10S244	10S245	08N78	08N79	08N80	—
* Long Lava	12N03	10S260		12N02	10S261	—	—	—	—

### Gas Lens

Electrode Size - inch (mm)	.020 (0.5)	.040 (1.0)		1/16 (1.6)		3/32 (2.4)		1/8 (3.2)	5/32 (4.0)
5 Insulator (required)	54N01	54N01		54N01		54N01		54N01	54N01
2 Collet	10N21	10N22		10N23		10N24		10N25	54N20
6 Gas Lens	45V29	45V24		45V25		45V26		45V27	45V28
<b>Nozzle Size - size # (inch)</b>	<b>4 (1/4)</b>	<b>5 (5/16)</b>		<b>6 (3/8)</b>	<b>7 (7/16)</b>	<b>8 (1/2)</b>	<b>10 (5/8)</b>	<b>12 (3/4)</b>	<b>Short</b>
7 Alumina Gas Lens	54N18	54N17		54N16	54N15	54N14	—	—	54N19
* Long Gas Lens	—	54N17L		54N16L	54N15	54N14L	—	—	—

### Large Diameter Gas Lens

Electrode Size - inch (mm)	.020 (0.5)	.040 (1.0)		1/16 (1.6)		3/32 (2.4)		1/8 (3.2)	5/32 (4.0)
8 Insulator (required)	54N63	54N63		54N63		54N63		54N63	54N63
2 Collet	10N21	10N22		10N23		10N24		10N25	54N20
9 Large Diameter Gas Lens	45V0204	45V0204		45V116		45V64		995795	45V63
<b>Nozzle Size - size # (inch)</b>	<b>4 (1/4)</b>	<b>5 (5/16)</b>		<b>6 (3/8)</b>	<b>7 (7/16)</b>	<b>8 (1/2)</b>	<b>10 (5/8)</b>	<b>12 (3/4)</b>	<b>Short</b>
10 Large Dia. Gas Lens	—	—		57N 75	—	57N74	53N88	53N87	53N89
* Large Dia. Gas Lens-L	—	—		57N75L	—	57N74L	53N88L	53N87L	—
* Large Dia. Gas Lens-XL	—	—		57N75XL	—	57N74XL	53N88XL	53N87XL	—
* Large Dia. Gas Lens-XXL	—	—		57N75XXL	—	57N74XXL	53N88XXL	53N87XXL	—

### Stubby Non-Gas Lens

Electrode Size - inch (mm)	.020 (0.5)	.040 (1.0)		1/16 (1.6)		3/32 (2.4)		1/8 (3.2)
11 Insulator (required)	18CG20	18CG20		18CG20		18CG20		18CG20
12 Stubby Collet	—	10N22S		10N23S		10N24S		10N25S
13 Stubby Body Collet	17CB20	17CB20		17CB20		17CB20		17CB20
<b>Nozzle Size - size # (inch)</b>	<b>4 (1/4)</b>	<b>5 (5/16)</b>		<b>6 (3/8)</b>	<b>7 (7/16)</b>	<b>8 (1/2)</b>	<b>10 (5/8)</b>	<b>12 (3/4)</b>
14 Stubby Alumina	13N08	13N09		13N10	13N11	13N12	13N13	—

### Stubby Gas Lens

Electrode Size - inch (mm)	.020 (0.5)	.040 (1.0)		1/16 (1.6)		3/32 (2.4)		1/8 (3.2)
15 Insulator (required)	17GLG20	17GLG20		17GLG20		17GLG20		17GLG20
12 Stubby Collet	—	10N22S		10N23S		10N24S		10N25S
16 Stubby Gas Lens	—	17GL040		17GL118		17GL332		17GL18
<b>Nozzle Size - size # (inch)</b>	<b>4 (1/4)</b>	<b>5 (5/16)</b>		<b>6 (3/8)</b>	<b>7 (7/16)</b>	<b>8 (1/2)</b>	<b>10 (5/8)</b>	<b>12 (3/4)</b>
17 Alumina Gas Lens	53N58	53N59		53N60	53N61	53N61S	—	—

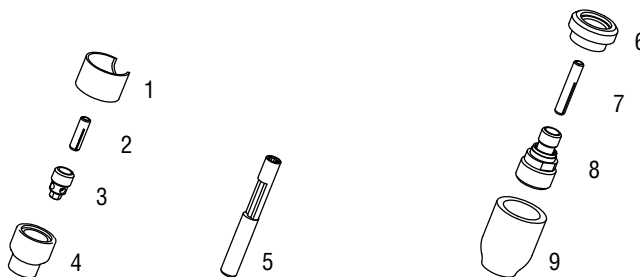
### Back Caps

18 Short 57Y04	19 Medium 300M	20 Long 57Y02
----------------	----------------	---------------

\*Not shown.



## 24 and 24-90 Torch Head Modular Series Consumables



### Non-Gas Lens

Electrode Size - inch (mm)	.020 (0.5)	.040 (1.0)	1/16 (1.6)	3/32 (2.4)
1 Insulator (required)	53N22	53N22	53N22	53N22
2 Collet	53N15	53N16	53N14	24C332
3 Collet Body	53N17	53N18	53N19	24CB332
<b>Nozzle Size - size # (inch)</b>	<b>.165</b>	<b>4 (1/4)</b>	<b>5 (5/16)</b>	<b>6 (3/8)</b>
4 Alumina	—	A53N24	A53N25	A53N27
* Lava	53N23	53N24	53N25	53N27
* Long Lava	—	53N28	—	53N26

### Collet Body Wrench

5 53N20

### Gas Lens

Electrode Size - inch (mm)	.020 (0.5)	.040 (1.0)	1/16 (1.6)	3/32 (2.4)	
6 Insulator (required)	53N66	53N66	53N66	53N66	
7 Collet	53N62	53N63	53N64	24GLC332	
8 Gas Lens	45V41	45V42	45V43	45V44	
<b>Nozzle Size - size # (inch)</b>	<b>4 (1/4)</b>	<b>5 (5/16)</b>	<b>6 (3/8)</b>	<b>7 (7/16)</b>	<b>8 (1/2)</b>
9 Alumina Gas Lens	53N58	53N59	53N60	53N61	53N61S

\*Not shown.

## Weldcraft® Automation Series

## Machine-Held TIG Welding Torches

### A-150 Automation Torch Packages

Models		1-Piece Power Cable Rubber		2-Piece Power Cable Rubber
Old Model	New Name	12.5 ft (3.8 m)	25 ft (7.6 m)	12.5 ft (3.8 m)
WP-23A	A-150 Automation	WP-23A-12-R	WP-23A-25-R	WP-23A-12-2

Torch packages include torch body and power cable.

### W-250 Automation Torch Packages

Models		Rubber	Vinyl			
Old Model	New Name	25 ft (7.6 m)	3 ft (0.9 m)	6 ft (1.8 m)	12.5 ft (3.8 m)	25 ft (7.6 m)
WP-22A	W-250 Automation	WP-22A-25-R	WP-22A-3	WP-22A-6	WP-22A-12	WP-22A-25

Torch packages include torch body, handle, power cable, long back cap, gas hose and water hose.

### W-500 Series Automation Torch Packages

Models		Rubber		
Old Model	New Name	3 ft (0.9 m)	12.5 ft (3.8 m)	25 ft (7.6 m)
WP-27A	W-500A Automation	WP-27A-3	WP-27A-12	WP-27A-25
WP-27B	W-500B Automation	WP-27B-3	WP-27B-12	WP-27B-25

Torch packages include torch body, power cable, gas hose and water hose. 3-foot cable packages also include bracket assembly.

## Consumables For A-150/W-250 Automation

### Non-Gas Lens

Electrode Size - inch (mm)	.040 (1.0)		1/16 (1.6)		3/32 (2.4)		1/8 (3.2)	
1 Insulator (required)	22-10		22-10		22-10		22-10	
2 Collet & Tube Assembly (WP-22A/23A)	22N21A		22N22A		22N23A		22N24A	
3 Collet Body	13N26		13N27		13N28		13N29	
Nozzle Size - size # (inch)	4 (1/4)	5 (5/16)	6 (3/8)	7 (7/16)	8 (1/2)	10 (5/8)	12 (3/4)	Short
4 Alumina	13N08	13N09	13N10	13N11	13N12	13N13	—	—
* Lava	13N14	13N15	13N16	13N17	13N18	13N19	—	—
* Long Lava	796F71	796F72	796F73	—	—	—	—	—
* X-Long Lava	796F75	796F76	796F77	—	—	—	—	—

### Gas Lens

Electrode Size - inch (mm)	.040 (1.0)		1/16 (1.6)		3/32 (2.4)		1/8 (3.2)	
1 Insulator (required)	22-10		22-10		22-10		22-10	
2 Collet & Tube Assembly (WP-22A/23A)	22N21A		22N22A		22N23A		22N24A	
5 Gas Lens	45V42		45V43		45V44		45V45	
Nozzle Size - size # (inch)	4 (1/4)	5 (5/16)	6 (3/8)	7 (7/16)	8 (1/2)	10 (5/8)	12 (3/4)	Short
6 Alumina Gas Lens	53N58	53N59	53N60	53N61	53N61S	—	—	—

### Knob

\*22-7

## Consumables For W-500 Automation

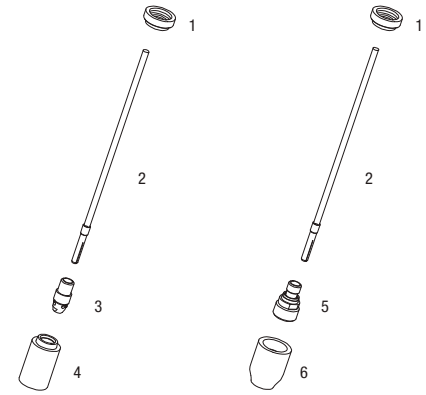
### Non-Gas Lens

Electrode Size - inch (mm)	.040 (1.0)	1/16 (1.6)	3/32 (2.4)	1/8 (3.2)	5/32 (4.0)	3/16 (4.8)	1/4 (6.4)	
1 Collet	—	10N22		10N23		10N24		
2 Gas Lens	—	10N30		10N31		10N32		
Nozzle Size - size # (inch)	6 (3/8)		8 (1/2)		10 (5/8)		12 (3/4)	Short
3 Large Dia. Gas Lens	57N75		57N74		53N88		53N87	53N89
* Large Dia. Gas Lens-L	57N75L		57N74L		53N88L		53N87L	—
* Large Dia. Gas Lens-XL	57N75XL		57N74XL		53N88XL		53N87XL	—
* Large Dia. Gas Lens-XXL	57N75XXL		57N74XXL		53N88XXL		53N87XXL	—

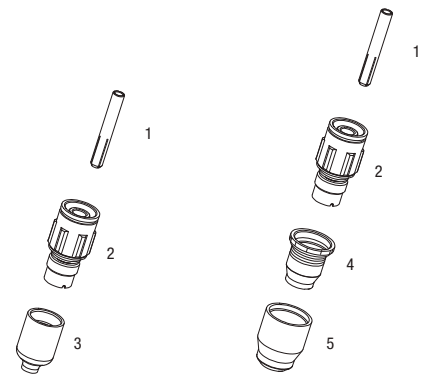
### Gas Lens - Metal Nozzle Setup

Electrode Size - inch (mm)	.040 (1.0)	1/16 (1.6)	3/32 (2.4)	1/8 (3.2)	5/32 (4.0)	3/16 (4.8)	1/4 (6.4)	
1 Collet	—	57N46	57N47	57N48	57N49	57N50	57N51	
2 Gas Lens	—	49V23	49V24	49V25	49V26	49V27	49V28	
4 Metal Nozzle Adapter (required)	57N76	57N76	57N76	57N76	57N76	57N76	57N76	
Nozzle Size - size # (inch)	6 (3/8)		8 (1/2)		10 (5/8)		12 (3/4)	Short
5 Metal	—		—		57N78		—	—

\*Not shown.



Consumables for A-150/W-250 Automation



Consumables for W-500 Automation



## Weldcraft® TIG Torch Accessories

### GL Kits (Gas Lens Kits)

Gas lenses improve the gas coverage of the tungsten during the TIG welding process. They can save you time and money by increasing your weld quality while using less gas. GL Kits provide three different-sized gas lenses and consumables in each kit to work with a variety of different applications.



**AK3GL**  
For A-150, A-200 and A-250. Includes one short back cap, one of each size (#6, #7, #8) alumina nozzle, and one of each size (1/16, 3/32, 1/8 inch) of the following: gas lens, collet, and 7-inch 2% ceriated tungsten electrode.



**AK4GL**  
For W-200, W-225, W-250, W-280 and W-375. Includes one short back cap, one of each size (#6, #7, #8) alumina nozzle, and one of each size (1/16, 3/32, 1/8 inch) of the following: gas lens, collet, and 7-inch 2% ceriated tungsten electrode.



**AK4C**  
For W-250 Series, W-280 Super Cool, W-375 Super Cool and W-410. Includes one long back cap, one of each size (#5, #6, #7) alumina nozzle, and one of each size (1/16, 3/32, 1/8 inch) of the following: collet, collet body, and 7-inch 2% ceriated tungsten electrode.



**AK18C**  
For W-400 Super Cool. Includes one short back cap, one of each size (#6, #7, #8) alumina nozzle, one of each size (3/32, 1/8 HD, 5/32 HD) collet, one of each size (.020–1/8 inch, 1/8–3/16 inch) collet body, and one of each size (3/32, 1/8, 5/32 inch) 7-inch 2% ceriated tungsten electrode.



**AK125C**  
For W-125 Micro Series. Includes one of each size (180°, 45°, 90°, 90° short) glass nozzle, and one of each size (.040, 1/16 inch) of the following: 180-degree chuck, 45-degree chuck, 90-degree chuck, and 7-inch 2% ceriated tungsten electrode.

### AK Kits (Accessory Kits)

AK consumables kits provide a set of different consumables for Weldcraft torches to tackle a variety of different applications. Kits include nozzles, collets, collet bodies, tungsten and back caps.



**AK1C**  
For A-125 Series. Includes one long back cap, one of each size (#4, #5, #6) alumina nozzle, and one of each size (.040, 1/16 inch) of the following: collet, collet body, and 7-inch 2% ceriated tungsten electrode.



**AK2C**  
For A-150 Series. Includes one short back cap, one of each size (#4, #5, #6) alumina nozzle, and one of each size (.040, 1/16, 3/32 inch) of the following: collet, collet body, and 7-inch 2% ceriated tungsten electrode.



**AK3C**  
For A-200 Series, A-250 Series and W-350 Series. Includes one short back cap, one of each size (#5, #6, #8) alumina nozzle, and one of each size (1/16, 3/32, 1/8 inch) of the following: collet, collet body, and 7-inch 2% ceriated tungsten electrode.



**AK-150MFC**  
For A-125 Series, A-150 Series and A-150 Modular Series. Allows welding operators to customize their standard A-150 (WP-17) or A-125 (WP-9) TIG torch for their specific application. Kit converts into 28 different torch styles while using the A-150 and A-125 existing cable. Features collets, collet bodies, nozzles, torch heads, handle and more.



**AK-225MFC**  
For W-225 Modular. Includes five additional torch heads, collets, collet bodies, nozzles, handle and more.



**MAK-2S**  
For W-350 Series. Includes one short and one long back cap, four back cap o-rings, two cup gaskets, one gas lens insulator, and one of each size (.040, 1/16, 3/32, 1/8 inch) gas lens. Also includes the following: ten collets (1) .040, (3) 1/16, (3) 3/32, (2) 1/8, (1) 5/32; and eight collet bodies (1) .040, (2) 1/16, (2) 3/32, (2) 1/8, (1) 5/32.

## Weldcraft® TIG Torch Accessories

### Tungsten for the most demanding TIG welding applications!

Available in four types and industry-standard diameters, our line of Weldcraft™ tungsten electrodes has undergone rigorous testing to ensure the highest quality and durability. Color-coded packages include ten 7-inch (175 mm) tungsten electrodes.

*Note: Refer to manufacturer SDS sheets for proper preparation and safety. Use proper ventilation/capture during preparation. Refer to manufacturer warning regarding ventilation.*



Type	Diameter (in. (mm))	Part #
<b>2% Ceriated (EWCe-2)</b>		
Performs well in DC welding and arc starting at low-current settings, and offers excellent performance in AC processes.		
	0.040 (1.0)	WC040X7
	1/16 (1.6)	WC116X7
	3/32 (2.4)	WC332X7
	1/8 (3.2)	WC018X7
	5/32 (4.0)	WC532X7

Type	Diameter (in. (mm))	Part #
<b>2% Lanthanated (EWLa-2)</b>		
Provides excellent arc starting, arc stability and re-ignition, and less tip erosion in AC or DC welding. Can substitute for 2% Thoriated.		
	0.040 (1.0)	WL2040X7
	1/16 (1.6)	WL2116X7
	3/32 (2.4)	WL2332X7
	1/8 (3.2)	WL2018X7
	5/32 (4.0)	WL2532X7

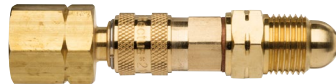
Type	Diameter (in. (mm))	Part #
<b>Pure (EWP)</b>		
Forms a clean, balled end when heated and provides good arc stability for AC welding with a balanced or unbalanced square wave or sine wave.		
	0.040 (1.0)	—
	1/16 (1.6)	WP116X7
	3/32 (2.4)	WP332X7
	1/8 (3.2)	WP018X7
	5/32 (4.0)	—

Type	Diameter (in. (mm))	Part #
<b>Rare Earth (EWG)</b>		
Performs well in DC welding and arc starting at low-current settings, and offers excellent performance in AC processes.		
	0.040 (1.0)	—
	1/16 (1.6)	WG116X7
	3/32 (2.4)	WG332X7
	1/8 (3.2)	WG018X7
	5/32 (4.0)	—

### Quick Connects



**QRG**  
Allows for quick connection and removal of torch shielding gas hoses.



**QRW**  
Allows for quick connection and removal of torch coolant hoses.

### Cable Covers



**WC-3-10** 10 ft. (3 m)  
**WC-3-22** 22 ft. (6.7 m)  
**WC-3-48** 48 ft. (14.6 m)  
Cable covers protect the welding cables from the day-to-day wear and tear of common welding environments. Available in 10-foot, 22-foot, and 48-foot lengths, these covers can help prevent the frequent replacement of expensive welding cable.

### Remote Controls



East/west rotary-motion fingertip current/contactors controls.



Foot pedal current/contactors controls.



Momentary- and maintained- contact rocker switch for contactor control.



North/south rotary-motion fingertip current/contactors controls.



Miniature hand current/contactors controls.



Momentary-contact switch for contactor controls.



Remote on/off control.





## Weld Testing

Part #	Description
01-5352-78	SKD-S2 Developer 16 oz. (12)
01-5750-78	SKC-S Cleaner 16 oz. (12)
01-5155-78	SKL-SP2 Penetrant 16 oz. (12)
01-5190-78	SKL-WP2 Spot Penetrant 16 oz (12)
01-5970-48 (01-5920-48)	SK-416 Portable Spotcheck Kit



01-5352-78



01-5155-78



01-5190-78



01-5970-48  
(01-5920-48)

## Paint Original Equipment Color Matched

Part #	Description
098205	12 oz. Spray Can, (new) Miller Blue Enamel

From showroom touch-ups to complete machine repaints, depend on Miller O.E.M. color-matched paints to give you and your customers professional results. Available in air-dry aerosols.



## SCRUBS®

Part #	Dimensions	Quantity	Case Quantity
202239	10-1/2 x 12-1/4 in	72 towel canister	6 canisters per case

They're the original patented one-step hand cleaner towels in-a-bucket. SCRUBS® combine the scrubbing power of pumice with powerful yet safe cleaning agents into an absorbent, non-scratching abrasive hand-cleaning towel. Fast and easy, no rinsing, no drying, leaves hands clean and protected, germ-free with a pleasant fragrance and no residue.



202239

## Multi-Use MIG Pliers

Part #	Size	Description	Part #	Size	Description
770150	8-1/2 in	Original full size model	YS20 (N/A)	7 in	Pliers

The multipurpose MIG tool that does it all. Welding pliers perform many different tasks, saving time and increasing productivity! It's a must-have tool for every welder.



770150

# Service Parts

## 4-Pin Amp Plastic Connectors



<p><b>048283</b> Kit (consists of)  <b>081905</b> Receptacle  <b>079535</b> Pins (Qty 5)</p>	<p><b>048284</b> Kit (consists of)  <b>081906</b> Connector  <b>079534</b> Sockets (Qty 5)</p>	<p><b>046958</b> Kit (consists of)  <b>046080</b> Connector  <b>079535</b> Pins (Qty 5)</p>
--	--	---

*Note: Strain relief clamp **079531** needs to be ordered separately with cord-mounted connections.*



<p><b>048282</b> Kit (consists of)  <b>081560</b> Receptacle  <b>079534</b> Sockets (Qty 5)</p>	<p><b>079878</b> Kit (consists of)  <b>079532</b> Connector  <b>079535</b> Pins (Qty 5)</p>	<p><b>080328</b> Kit (consists of)  <b>079533</b> Connector  <b>079534</b> Sockets (Qty 5)</p>
---	---	--

*Note: Strain relief clamp **079531** needs to be ordered separately with cord-mounted connections.*

## 4-Pin Amphenol Metal Connectors



<p><b>076624</b> (N/A)</p>	<p><b>073686</b></p>	<p><b>073688</b> (N/A)</p>
----------------------------	----------------------	----------------------------

*Note: Pins are the solderable type and are pre-inserted into the receptacle. Strain relief clamp **039828** needs to be ordered separately w/cord-mounted connections*

## 5-Pin Amphenol Metal Connectors



*Note: Pins are the solderable type and are pre-inserted into the receptacle. Strain relief clamp **039685** needs to be ordered separately w/cord-mounted connections.*

## 6-Pin Amphenol Metal Connectors



*Note: Pins are the solderable type and are pre-inserted into the receptacle. Strain relief clamp **039828** needs to be ordered separately w/cord-mounted connections.*



*Note: For Maxstar 140 and 150's.*

## 9-Pin Amp Plastic Connectors



<p><b>170646</b> Receptacle (N/A)  <b>079535</b> Pins (Qty 5)</p>	<p><b>048380</b> Kit (consists of)  <b>079705</b> Connector  <b>079534</b> Sockets (Qty 10)</p>	<p><b>048306</b> Kit (consists of)  <b>079707</b> Connector  <b>079535</b> Pins (Qty 10)</p>
---	---	--

*Note: Strain relief clamp **079706** needs to be ordered separately with cord-mounted connections.*

## 10-Pin Amphenol Metal Connectors



*Note: Pins are the solderable type and are pre-inserted into the receptacle. Strain relief clamp #073 332 needs to be ordered separately w/cord-mounted connections.*



*Note: Pins are the solderable type and are pre-inserted into the receptacle. Strain relief clamp **073332** needs to be ordered separately w/cord-mounted connections.*

## 10-Pin Amp Plastic Connectors



<p><b>221777</b> Kit (consists of)  <b>189238</b> Receptacle  <b>134733</b> (N/A) Sockets (Qty 10)</p>	<p><b>217292</b> Kit (consists of)  <b>190294</b> Connector  <b>134731</b> Pins (Qty 10)  <b>134732</b> Pins (Qty 10)  <b>079739</b> Clamp  <b>143922</b> Clamp</p>	<p><b>222857</b> Kit (consists of)  <b>207194</b> Connector  <b>079534</b> Sockets (Qty 10)  <b>141685</b> Sockets (Qty 10)  <b>079739</b> Clamp  <b>143922</b> Clamp</p>
--	---	---

## 14-Pin Amphenol Plastic Connectors (Size 20)



<p><b>143976</b> Kit (consists of)  <b>134735</b> Receptacle  <b>079534</b> Sockets (Qty 15)</p>	<p><b>141162</b> Kit (14-18 ga wire)  <b>134734</b> Connector  <b>134 731</b> Pins (Qty 15)  <b>079739</b> Clamp  <b>143922</b> Clamp</p>	<p><b>152369</b> Kit (consists of)  <b>143424</b> Connector  <b>079534</b> Sockets (Qty 15)  <b>079739</b> Clamp  <b>143922</b> Clamp</p>
<p><b>143976</b> Kit (consists of)  <b>134735</b> Receptacle  <b>079534</b> Sockets (Qty 15)</p>	<p><b>144310</b> Kit (20-24 ga wire)  <b>134734</b> Connector  <b>134732</b> Pins (Qty 15)  <b>079739</b> Clamp  <b>143922</b> Clamp</p>	<p><b>152568</b> Kit (consists of)  <b>143424</b> Connector  <b>141685</b> Sockets (Qty 15)  <b>079739</b> Clamp  <b>143922</b> Clamp</p>

## 14-Pin Amphenol Plastic Connectors (Size 17)



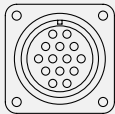
<p><b>047637</b> Kit (consists of)  <b>048286</b> Receptacle  <b>079534</b> Sockets (Qty 15)</p>	<p><b>047636</b> Kit (consists of)  <b>048287</b> Connector  <b>079535</b> Pins (Qty 15)</p>	<p><b>071892</b> Kit (consists of)  <b>045349</b> Connector  <b>079534</b> Sockets (Qty 15)</p>
--	--	---

*Note: Strain relief clamp **079739** needs to be ordered separately with cord-mounted connections.*



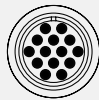
## 14-Pin Amphenol Metal Connectors

**Panel-Mounted Female**



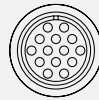
086022 Receptacle

**Cord-Mounted Male**



136961 Kit (consists of)  
094481 Connector  
116964 Clamp

**Cord-Mounted Female**

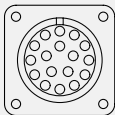


136960 Kit (consists of)  
137301 Connector  
116964 Clamp

Note: Pins are the solderable type and are pre-inserted into the receptacle.

## 17-Pin Amphenol Metal Connectors

**Panel-Mounted Female**

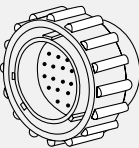


097869 (N/A)

Note: Pins are the solderable type and are pre-inserted into the receptacle. Strain relief clamp 073296 needs to be ordered separately w/cord-mounted connections.

## 28-Pin Amphenol Plastic Connector (Size-17)

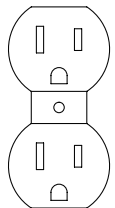
**Panel-Mounted Female**



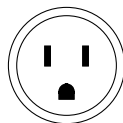
218715

## Connector Bodies, Plugs and Receptacles

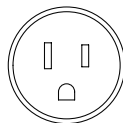
**15A, 125V Panel-Mounted Female**



604176



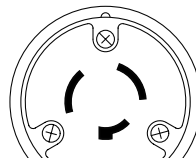
15A, 125V  
Cord-Mounted Male  
073690



15A, 125V  
Cord-Mounted Female  
124150



15A, 125V  
Panel-Mounted Female  
032897

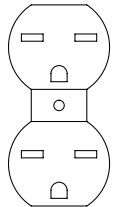


20A, 125V  
Cord-Mounted Male  
605797

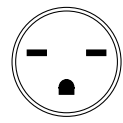


20A, 125V  
Cord-Mounted Female  
080280 (N/A)

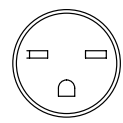
**15A, 250V Panel-Mounted Female**



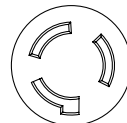
604103 (N/A)



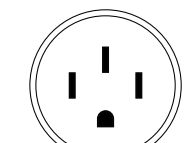
15A, 250V  
Cord-Mounted Male  
025234 (N/A)



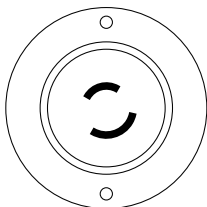
15A, 250V  
Cord-Mounted Female  
603029 (N/A)



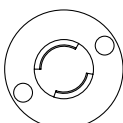
20A, 250V  
Panel-Mounted Female  
039607



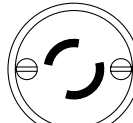
50A, 125/250V  
Cord-Mounted Male  
119172



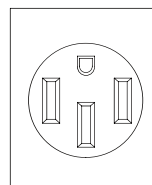
20A, 250V  
Panel-Mounted Male  
141840



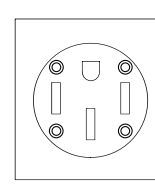
20A, 250V  
Cord-Mounted Female  
039635



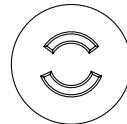
20A, 250V  
Cord-Mounted Male  
039618



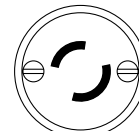
50A, 125/250V  
Flanged-Mounted Female  
164704 117512 (N/A)



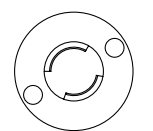
50A, 125/250V  
Panel-Mounted Female  
182954



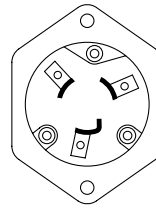
20A, 250V  
Panel-Mounted Female  
039602



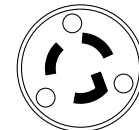
20A, 250V  
Cord-Mounted Male  
039618



20A, 250V  
Cord-Mounted Female  
039635



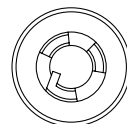
15A  
Panel-Mounted Male  
056665 (N/A)



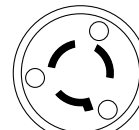
15A, 277V  
Cord-Mounted Male  
039687 (N/A)



15A, 277V  
Cord-Mounted Female  
056442



15A, 277V  
Panel-Mounted Female  
039686



15A, 250V  
Cord-Mounted Male  
035494



15A, 250V  
Cord-Mounted Female  
035492 (N/A)



15A, 125V  
Panel-Mounted Female  
035493 (N/A)



15A, 125V  
Cord-Mounted Male  
032898



15A, 125V  
Cord-Mounted Female  
035243 (N/A)

## Cable Connectors

### Cam-Lok Twistlock Receptacles/Connectors

Item #	Part #	Description	Color	Cable Capacity
1	<b>039628</b>	Receptacle, Insul. (Female)	Black	No. 2/0 – 3/0 (25 – 70 mm)
	<b>039638</b>	Receptacle, Insul. (Female)	Black	No. 3/0 – 4/0 (70 – 95 mm)
2	<b>056271</b>	Receptacle, Uninsul. (Male)	Black	—
3	<b>039633</b>	Connector, Insul. Set Scr. (In-Line Female)	Red	No. 1/0 – 3/0 (50 – 70 mm)
4	<b>039629</b>	Connector, Insul. Set Scr. (Male)	Red	No. 2 – 1/0 (35 – 50 mm)
	<b>039630</b>	Connector, Insul. Set Scr. (Male)	Red	No. 1/0 – 3/0 (50 – 70 mm)
	<b>039639</b>	Connector, Insul. Set Scr. (Male)	Red	No. 3/0 – 4/0 (70 – 95 mm)

<sup>1</sup>For In-Line Connections, use with **039629** or **039630**.

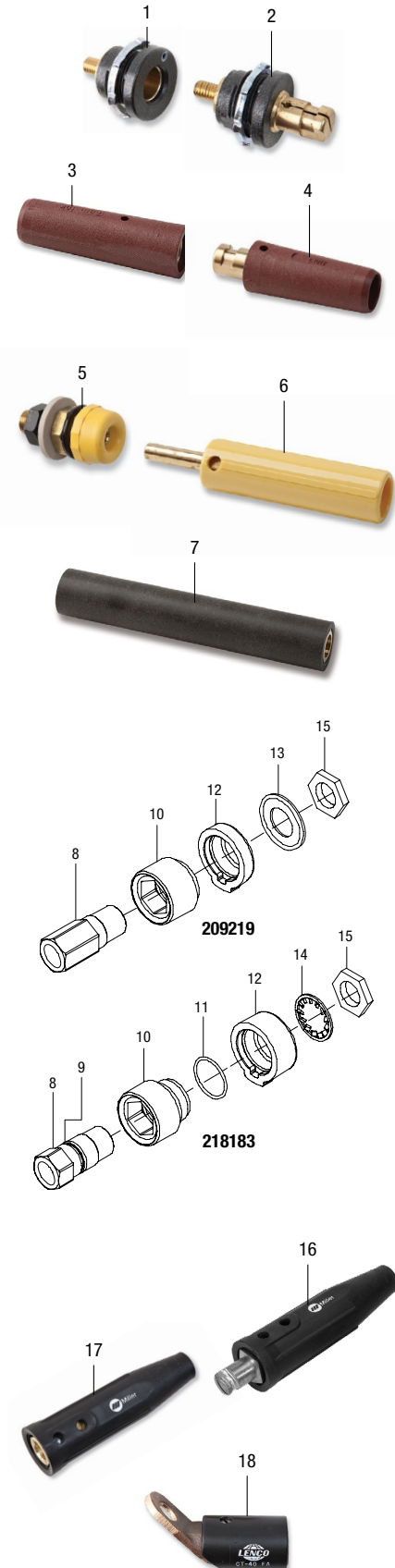
### Miller Receptacles/Connectors

Item #	Part #	Description	Color	Cable Capacity
5	<b>039801</b>	Receptacle, Insulated (Female)	Black	—
	<b>039800</b>	Receptacle, Insulated (Female)	Red	—
	<b>057608</b>	Receptacle, Insulated (Female)	Yellow	—
6	<b>039901</b>	Plug, Insulated (Male)	Black	No. 1 – 4
	<b>039608</b>	Plug, Insulated (Male)	Red	No. 1 – 4
	<b>039878</b>	Plug, Insulated (Male)	Yellow	No. 1 – 4
7	<b>039611</b>	Connector, Insulated (Female)	Black	No. 1 – 4

<sup>2</sup>For In-Line Connections (Quick-Connect).

### Tweco-Style Twistlock Receptacles/Connectors

Item #	Part #	Part #	Description
	<b>209219</b>	<b>218183</b>	Receptacle Assembly (Female)
8	<b>208431</b>	<b>209473</b>	Receptacle, Brass (Female)
9	—	<b>186228</b>	O-Ring, 0.739 ID x 0.070 H
10	—	<b>185712</b>	Insulator, bulkhead front
11	—	<b>185718</b>	O-Ring, 0.989 ID x 0.070 H
12	—	<b>185713</b>	Insulator, bulkhead rear
13	<b>229338</b>	—	Washer, domed load .812 ID x 1.450 OD x .070 THK
14	—	<b>185714</b>	Tooth washer, 1 mm intern
15	<b>185717</b>	<b>185717</b>	Nut, M20-1.5 1.00 Hex .19 H BRS locking
16	<b>191981</b>	<b>191981</b>	Connector, Insulated (Male), No. 4 – 1/0 - 2/0 (25 – 50 mm)
17	<b>218677</b>	<b>218677</b>	Connector, Insulated (Female), No. 4 – 1/0 - 2/0 (25 – 50 mm)
18	<b>218678</b>	<b>218678</b>	Adapter, Threaded Stud to Tweco (stud hole dia. 5/8 in)
	<b>242251</b>	—	Connector, TW LK Insulated Female (Tweco-Lenco Type) HD 3/0-4/0

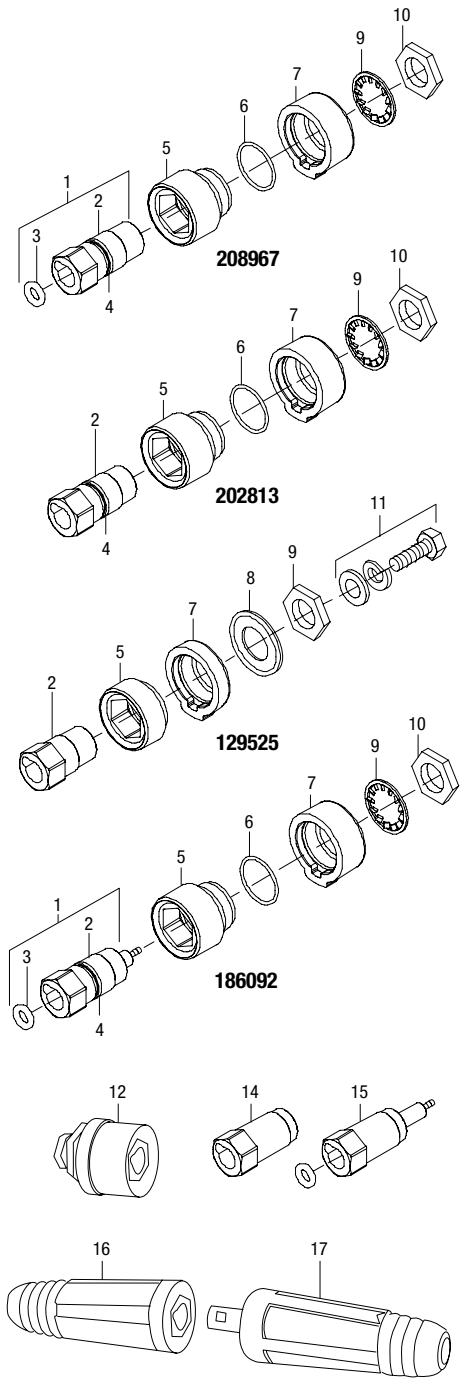




## Cable Connectors

### Dinse™ Twistlock Receptacles (50/70 Series)

Item #	Part #	Part #	Part #	Part #	Description
	208967	202813	129525	186092	Receptacle Assembly (Female)
1	208968 (N/A)	—	—	202811	Receptacle, Brass with O-ring (Female) (consists of items 2 and 3)
2	185711 (N/A)	202553	210752 (N/A)	202554 (N/A)	Receptacle, Brass (Female)
3	185710	—	—	185710	O-Ring, 0.296 ID x 0.139 H Silicone
4	186228	186228	—	186228	O-Ring, 0.739 ID x 0.070 H
5	185712	185712	208760 (N/A)	185712	Insulator, bulkhead front
6	185718	185718	—	185718	O-Ring, 0.989 ID x 0.070 H
7	185713	185713	208430 (N/A)	185713	Insulator, bulkhead rear
8	—	—	229338	—	Washer, domed load .812 ID x 1.450 OD x .070 THK
9	185714	185714	—	185714	Tooth washer, 1 mm intern
10	185717	185717	185717	185717	Nut, M20-1.5 1.00 Hex .19 H BRS locking
11	—	—	229333	—	Screw, M10-1.5x 20 Hex HD-PLN 8.8 PLD SEMS



### Dinse™ Twistlock Receptacles/Connectors

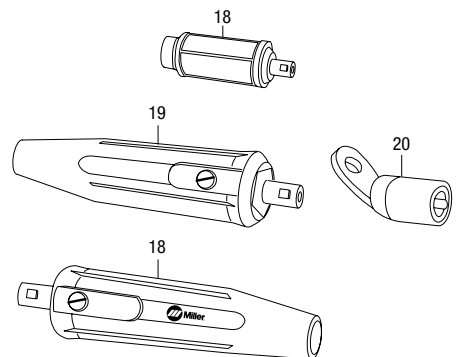
Item #	Part #	Series	Description	Cable Capacity/Thread Size
12	127837	25	Receptacle, Insulated (Female)	—
13	143419	50	Receptacle, Insulated (Male)	—
14	208698	25	Receptacle, Brass Power Pos. (Female)	—
15	208699	25	Receptacle, Brass Power/Gas Neg. (Female) with O-Ring #188 380 (.174 ID x .103 H)	—
16	127835	25	Connector, Insulated (Female)	No. 3 – No. 4
	129526	50	Connector, Insulated (Female)	No. 2 – 1/0 (35 – 50 mm)
	136600	70	Connector, Insulated (Female)	No. 1/0 – 3/0 (50 – 70 mm)
	138180	95	Connector, Insulated (Female)	No. 3/0 – 4/0 (70 – 95 mm)
17	263801	25	Connector, Insulated (Male)	No. 3 – No. 4
	129527	50	Connector, Insulated (Male)	No. 2 – 1/0 (35 – 50 mm)
	134460	70	Connector, Insulated (Male)	No. 1/0 – 3/0 (50 – 70 mm)
	241354	95	Connector, Insulated (Male)	No. 3/0 – 4/0 (70 – 95 mm)
18	273483	25	Connector, Insulated (Male) Flow-Thru	3/8-24R
19	194722	50	Connector, Insulated (Male) Flow-Thru 125/150 A	3/8-24R
	194723	50	Connector, Insulated (Male) Flow-Thru 200 A	7/8-14R
20	232728	50/70	Adapter, Threaded Stud to Dinse (stud hole dia. 1/2 in)	
21	145739 (N/A)		Sleeve, clamping	

### Spectrum Connectors

Item #	Part #	Description
	263801	Connector, TW LK Insulated Male (Tweco-Lenco Type) SK 10-25

### Maxstar® 700/Dynasty® 700 Connectors

Item #	Part #	Description
	225029	Connection Kit, Thread Lock Double Dry
	225028	Adapter, Torch-Thread Lock Water (7/8 LHT)



## Electrode Holders

Part #	Amperage Capacity	Electrode Capacity	Cable Capacity	Length	Weight
PA532	200	5/32 in (4.0 mm)	No. 2/0 (70 mm)	8-1/2 in (215 mm)	15 oz (415 g)
PA316	250	3/16 in (4.8 mm)	No. 2/0 (70 mm)	9-1/4 in (235 mm)	16 oz (450 g)
PA732	300	7/32 in (5.6 mm)	No. 2/0 (70 mm)	10 in (250 mm)	19 oz (530 g)
PA14HD	400	1/4 in (6.4 mm)	No. 4/0 (105 mm)	11 in (280 mm)	23 oz (650 g)

Electrode complete - no insulator replacements available

### Features include:

- Ergonomic — High lever design for greater grip and hand clearance
- Lightweight and easy-to-use
- Fully insulated, high-strength springs for excellent gripping power
- Heavy-duty, shock-proof nylon handle
- Grooved jaw design insures firm electrode grip
- High-impact, high-temperature fiberglass tip insulators
- Professional series features high copper alloy tongs, utility series features brass tongs
- Holders supplied with allen wrench and cable connections ferrule assuring efficient connections



PA532



PA316  
PA14HD



PA532,  
PA316,  
PA732



PA14HD

## Work Clamps

Part #	Amperage Capacity	Electrode Capacity*	Cable Capacity	Length	Weight
EG200	200	1-1/2 in (40 mm)	No. 6-4 (10-16 mm)	7 in (175 mm)	7 oz (199 g)
EG300 (EG500)	300	2 in (50 mm)	No. 2-1 (25-35 mm)	8 in (200 mm)	14 oz (390 g)
EG500	500	2 in (50 mm)	No. 1/0-4/0 (50-105 mm)	10 in (245 mm)	17 oz (490 g)
PGC200	200	1 in (25 mm)	No. 1-1/0 (35-50 mm)	6 in (150 mm)	16 oz (445 g)
PGC300	300	1-1/2 in (40 mm)	No. 1/0-3/0 (50-95 mm)	8 in (200 mm)	25 oz (715 g)
MGC300	300	—	No. 1-1/0 (35-50 mm)	—	21 oz (600 g)
203988	180	1-1/2 in (40 mm)	2 in (25 mm)	7 in (175 mm)	9 oz (255 g)
280484	200	—	—	—	—
213619	300	2 in (50 mm)	1/0 (50 mm)	8 in (200 mm)	13 oz (368 g)
010368	200	1-1/2 in (40 mm)	No. 4	6 in	5 oz (142 g)
233452	300	2 in (50 mm)	No. 4-2	8 in	10 oz (290 g)
257796	200	2 in (50 mm)	No. 6	6-1/4 in	6 oz (168 g)
235116	600	2 in (50 mm)	No. 3/0-4/0 (70-95 mm)	6-1/4 in	6 oz (168 g)

\* Jaw Distance

### EG Series — Steel Work Clamps

- Zinc plated
- Large hex screw cable connection assures safe cable connection every time
- Pure copper braided shunts on EG500 allows both jaws to carry welding current

### PGC Series — Copper Alloy

- Contoured handle lever for easy jaw opening
- Strong gripping power
- Large contact area assures positive grounding
- Fully insulated spring
- Conductor body holds the cable securely
- Large hex screw cable connection assures safe cable connection every time

### MGC Series — Magnetic Work Clamps

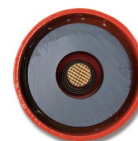
- Large contact area assures excellent electrical contact
- Strong gripping power
- Grounding concealed to prevent dislodgment
- Insulated to prevent annealing
- Easy installation or removal
- Most popular magnetic work clamps in the market



EG500



PGC300



MGC300



257796

213619



010368



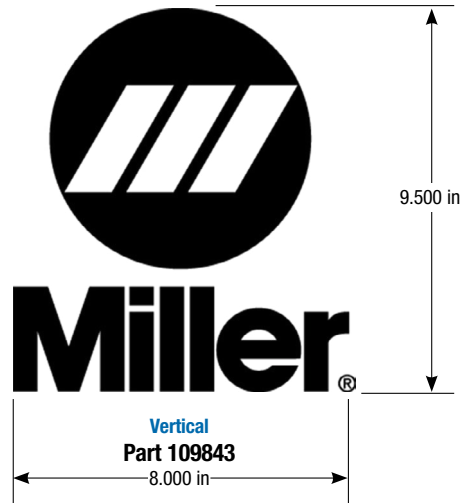
203988



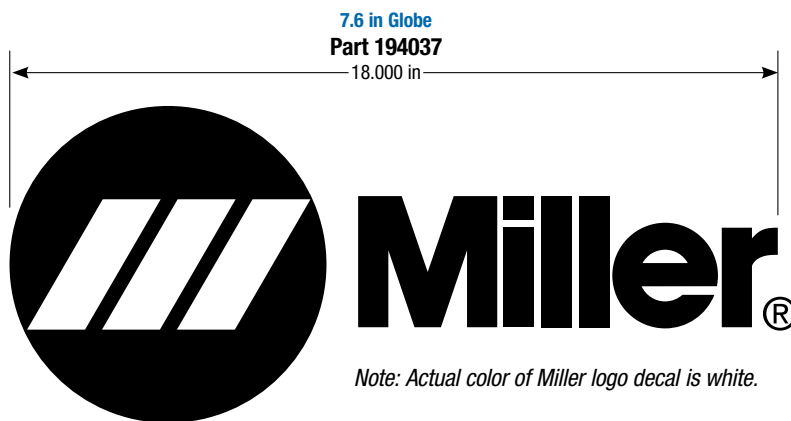
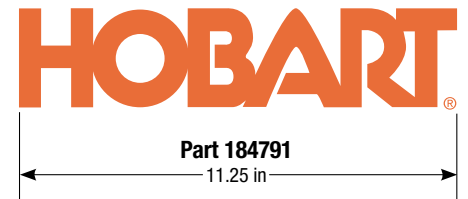
# Miller/Hobart Replacement Labels

Part #	Description	Format	Height	Width	Color
124462	Miller	Horizontal	1.625 in	3.750 in	White/Blue Bkgd
109844	Miller	Horizontal	2.500 in	6.000 in	White/Blue Bkgd
115496	Miller	Horizontal	3.500 in	8.250 in	White/Blue Bkgd
119503	Miller	Horizontal	4.000 in	9.562 in	White/Blue Bkgd
234534	Miller	Horizontal	5.250 in	12.437 in	White/Blue Bkgd
194037	Miller	Horizontal	7.600 in	18.000 in	White/Blue Bkgd
109838	Miller	Vertical	1.562 in	1.312 in	White/Blue Bkgd
109839 (N/A)	Miller	Vertical	3.000 in	2.500 in	White/Blue Bkgd
109840	Miller	Vertical	4.500 in	3.750 in	White/Blue Bkgd
109841	Miller	Vertical	6.000 in	5.125 in	White
109842	Miller	Vertical	7.750 in	6.500 in	White/Blue Bkgd
109843	Miller	Vertical	9.500 in	8.000 in	White
184791	Hobart	Horizontal	2.5 in	11.250 in	Orange

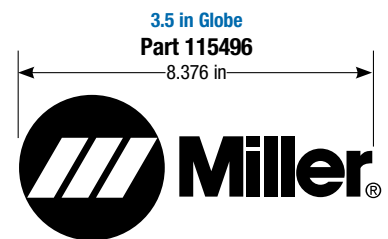
Nothing completes the repair and repaint of a machine like the addition of the original equipment factory fresh decals. Above is a complete list of the wide variety of sizes available in both the horizontal and vertical formats. For the availability of complete machine decal kits, please contact Miller Service Parts at 1-866-931-9730.



Note: Actual color of Miller logo decal is white.



Note: Actual color of Miller logo decal is white.



Note: Actual color of Miller logo decal is white.

## Power Terminals

### Power Terminal Output Assemblies

Part #	Description	Color	Dimension A	Bolt Dimensions
	<b>Group 1</b>			
274848	With Hex Nut	Red	1-7/8 in	1/2 in x 1-1/2 in
274859/005107 Bolt	With Hex Nut	Black	1-7/8 in	1/2 in x 1-1/2 in
274843	With Hex Nut	White	1-7/8 in	1/2 in x 1-1/2 in
274848	With Hex Nut	Red	1-7/8 in	1/2 in x 1-3/4 in
274859/005107 Bolt	With Hex Nut	Black	1-7/8 in	1/2 in x 1-3/4 in
601879	Hex Nut — Replacement	—	—	—

### Power Terminal Boots

Part #	Description	Width	Height
179848	Rubber Boot (Positive)	2 in ID	3-3/4 in ID
180732	Rubber Boot (Negative)	2 in ID	3-3/4 in ID
186621	Rubber Boot (Generic)	2 in ID	3-3/4 in ID
180735	Washer, Output Stud		
181169	Spacer, Output Stud		

180735 & 181169 are needed for Power Terminal Boots.

Part #	Description	Cord Range (Min. – Max.)
219515	50 amp, 230 volt pin-type wall receptacle	—
219516	50 amp, 230 volt pin-type male plug	0 – 1.00
213380	50 amp, 230 volt pin-type male plug (heavy-duty)	0.625 – 1.320
219535	50 amp, 230 volt pin-type cord-mount receptacle	0.425 – 1.31
119172	50 amp, 125/250 volt pin-type male plug	0.62 – 1.31
254140	Plug, str grd 3P4W 3PH 50A 240V 15-50P	—



039046



179848

180732



219515



219516



254140



219535



119172





# TRUE BLUE<sup>®</sup>

## WARRANTY



Effective January 1, 2022 (Equipment with a serial number preface of NC or newer)

This limited warranty supersedes all previous Miller warranties and is exclusive with no other guarantees or warranties expressed or implied.

**LIMITED WARRANTY** - Subject to the terms and conditions below, Miller Electric Mfg. LLC, Appleton, Wisconsin, warrants to authorized distributors that new Miller equipment sold after the effective date of this limited warranty is free of defects in material and workmanship at the time it is shipped by Miller. **THIS WARRANTY IS EXPRESSLY IN LIEU OF ALL OTHER WARRANTIES, EXPRESS OR IMPLIED, INCLUDING THE WARRANTIES OF MERCHANTABILITY AND FITNESS.**

Within the warranty periods listed below, Miller will repair or replace any warranted parts or components that fail due to such defects in material or workmanship. Miller must be notified in writing within thirty (30) days of such defect or failure, at which time Miller will provide instructions on the warranty claim procedures to be followed. Notifications submitted as online warranty claims must provide detailed descriptions of the fault and troubleshooting steps taken to diagnose failed parts. Warranty claims that lack the required information as defined in the Miller Service Operation Guide (SOG) may be denied by Miller.

Miller shall honor warranty claims on warranted equipment listed below in the event of a defect within the warranty coverage time periods listed below. Warranty time periods start on the delivery date of the equipment to the end-user purchaser, or 12 months after the equipment is shipped to a US or Canada distributor, or 18 months after the equipment is shipped to an international distributor, whichever occurs first.

**1 5 Years Parts — 3 Years Labor**

- Original Main Power Rectifiers Only to Include SCRs, Diodes, and Discrete Rectifier Modules in non-inverter products

**2 3 Years — Parts and Labor Unless Specified**

- Auto-Darkening Helmet Lenses (No Labor)
- Engine Driven Welder/Generators (Including EnPak) **(NOTE: Engines are Warranted Separately by the Engine Manufacturer.)**
- Insight Welding Intelligence Products (Except External Sensors)
- Inverter Power Sources
- Plasma Arc Cutting Power Sources
- Process Controllers
- Semi-Automatic and Automatic Wire Feeders
- Transformer/Rectifier Power Sources

**3 2 Years — Parts and Labor**

- Auto-Darkening Weld Masks (No Labor)
- Fume Extractors - Capture 5 and Industrial Collector Series

**4 1 Year — Parts and Labor Unless Specified**

- ArcReach Heater
- AugmentedArc, LiveArc, and MobileArc Welding Systems
- Automatic Motion Devices
- Bernard BTB Air-Cooled MIG Guns (No Labor)
- CoolBelt, PAPR Blower, and PAPR Face Shield (No Labor)
- Desiccant Air Dryer System

- Field Options **(NOTE: Field options are covered for the remaining warranty period of the product they are installed in, or for a minimum of one year — whichever is greater.)**

- RFCS Foot Controls (Except RFCS-RJ45)
- Fume Extractors - Filtair 130, MWX and SWX Series, ZoneFlow Extraction Arms and Motor Control Box
- HF Units
- ICE/XT Plasma Cutting Torches (No Labor)
- Induction Heating Power Sources, Coolers **(NOTE: Digital Recorders are Warranted Separately by the Manufacturer.)**
- Insight Sensors
- Load Banks
- Motor-Driven Guns (except Spoolmate Spoolguns)
- Positioners and Controllers
- Racks (For Housing Multiple Power Sources)
- Running Gear/Trailers
- Subarc Wire Drive Assemblies
- Supplied Air Respirator (SAR) Boxes and Panels
- TIG Torches (No Labor)
- Tregaskiss Guns (No Labor)
- Water Cooling Systems
- Wireless Remote Foot/Hand Controls and Receivers
- Work Stations/Weld Tables (No Labor)

**5 6 Months — Parts**

- 12 Volt Automotive-Style Batteries

**6 90 Days — Parts**

- Accessories (Kits)
- ArcReach Heater Quick Wrap and Air Cooled Cables
- Canvas Covers
- Induction Heating Coils and Blankets, Cables, and Non-Electronic Controls
- MDX Series MIG Guns
- M-Guns
- MIG Guns, Subarc (SAW) Torches, and External Cladding Heads
- Remote Controls and RFCS-RJ45
- Replacement Parts (No labor)
- Spoolmate Spoolguns

Miller's True Blue<sup>®</sup> Limited Warranty shall not apply to:

1. **Consumable components; such as contact tips, cutting nozzles, contactors, brushes, relays, work station table tops and welding curtains, or parts that fail due to normal wear. (Exception: brushes and relays are covered on all engine-driven products.)**
2. Items furnished by Miller, but manufactured by others, such as engines or trade accessories. These items are covered by the manufacturer's warranty, if any.
3. Equipment that has been modified by any party other than Miller, or equipment that has been improperly installed, improperly operated or

misused based upon industry standards, or equipment which has not had reasonable and necessary maintenance, or equipment which has been used for operation outside of the specifications for the equipment.

4. Defects caused by accident, unauthorized repair, or improper testing.

MILLER PRODUCTS ARE INTENDED FOR COMMERCIAL AND INDUSTRIAL USERS TRAINED AND EXPERIENCED IN THE USE AND MAINTENANCE OF WELDING EQUIPMENT.

The exclusive remedies for warranty claims are, at Miller's option, either: (1) repair; or (2) replacement; or, if approved in writing by Miller, (3) the pre-approved cost of repair or replacement at an authorized Miller service station; or (4) payment of or credit for the purchase price (less reasonable depreciation based upon use). Products may not be returned without Miller's written approval. Return shipment shall be at customer's risk and expense.

The above remedies are F.O.B. Appleton, WI, or Miller's authorized service facility. Transportation and freight are the customer's responsibility. TO THE EXTENT PERMITTED BY LAW, THE REMEDIES HEREIN ARE THE SOLE AND EXCLUSIVE REMEDIES REGARDLESS OF THE LEGAL THEORY. IN NO EVENT SHALL MILLER BE LIABLE FOR DIRECT, INDIRECT, SPECIAL, INCIDENTAL OR CONSEQUENTIAL DAMAGES (INCLUDING LOSS OF PROFIT) REGARDLESS OF THE LEGAL THEORY. ANY WARRANTY NOT PROVIDED HEREIN AND ANY IMPLIED WARRANTY, GUARANTY, OR REPRESENTATION, INCLUDING ANY IMPLIED WARRANTY OF MERCHANTABILITY OR FITNESS FOR PARTICULAR PURPOSE, ARE EXCLUDED AND DISCLAIMED BY MILLER.

Some US states do not allow limiting the duration of an implied warranty or the exclusion of certain damages, so the above limitations may not apply to you. This warranty provides specific legal rights, and other rights may be available depending on your state. In Canada, some provinces provide additional warranties or remedies, and to the extent the law prohibits their waiver, the limitations set out above may not apply. This Limited Warranty provides specific legal rights, and other rights may be available, but may vary by province.

### Warranty Questions?

Call 1-800-4-A-MILLER for your local Miller distributor.

Your distributor also gives you...

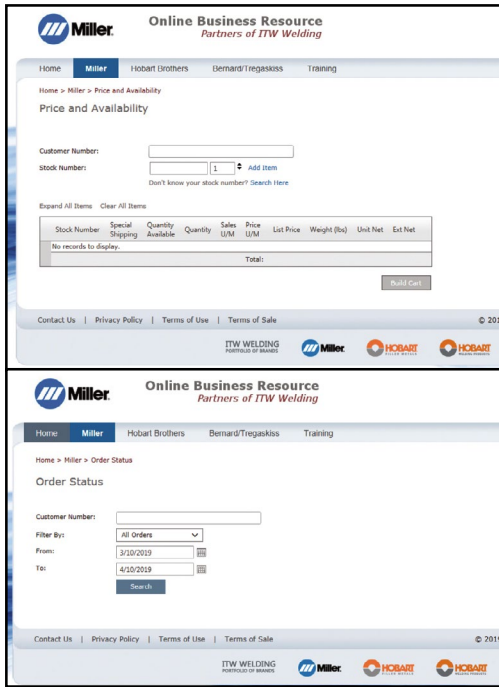
#### Service

You always get the fast, reliable response you need. Most replacement parts can be in your hands in 24 hours.

#### Support

Need fast answers to the tough welding questions? The expertise of the distributor and Miller is there to help you, every step of the way.

## Miller Signature Service



Enroll in our secure business-to-business website for industrial distributors, retail centers and rental businesses of ITW Welding Products. This password-protected site enables you to obtain up-to-the-minute account activity, product information and more. It's easy, convenient and available 24 hours a day, 7 days a week.

### Extranet

<https://partners.itwwelds.com>

The Distributor Extranet, located at <https://partners.itwwelds.com>, is a secure, private website that offers personalized information to Miller distributors. It gives distributors the ability to check order status, track shipments, or check price and availability, whenever it is convenient — 24 hours a day, 7 days a week. It also provides access to product specification sheets, new product information, and gives you the ability to order sales tools online.

Because much of what you'll find at this site applies specifically to your company, a username and password are required to gain access. Controlled access to this information is very important for Miller and the distributor, which is why a formal "enrollment process" is required.

### On-Line Enrollment Process

Distributor management visit <https://partners.itwwelds.com> and click on "Register now", and you will be able to establish a Web Access Coordinator (WAC) for your business. When approved, the WAC will have the ability to enable access for all other employees within the distributorship that you wish to have access.

### On-Line Service Parts Ordering

Once your business is enrolled on the Extranet, you'll have the added convenience of placing your Miller Service Parts orders online. Contact your Web Access Coordinator to enable this feature. Then you'll be able to link to it from the "Sales Navigation".

Contacting us — Phone: 866-931-9730 Fax: 800-637-2315

<b>Option 1 Orders</b>	This option will get you to our experts in Customer Service for checking order status, prices, and availability.				
<b>1</b>	<b>2</b>				
<b>Place/expedite order or RGA</b>	<b>Have part number and need price and availability</b>				
<b>Option 2 Product Selection</b>	This option will get you to our experts in Customer Service for checking order status, prices, and availability.				
<b>1</b>	<b>2</b>	<b>3</b>	<b>4</b>	<b>5</b>	
<b>Machines &amp; Accessories</b>	<b>Parts Look-Up</b>	<b>Safety Product &amp; Helmets</b>	<b>Gas Equipment</b>	<b>TIG Torches</b>	
<b>Option 3 Warranty</b>	If you are looking for service warranty information or technical guidance with your Miller machine this is the option that will get you help.				
<b>Option 4 Promotions &amp; Rebates</b>	This option is for questions regarding current Miller promotions and rebates, including Build with Blue.				
<b>Option 8 Contact by Name</b>	This option allows you to look up a person by name.				



Distributed By:



The Power of Blue®

©2023 Miller Electric Mfg Co.