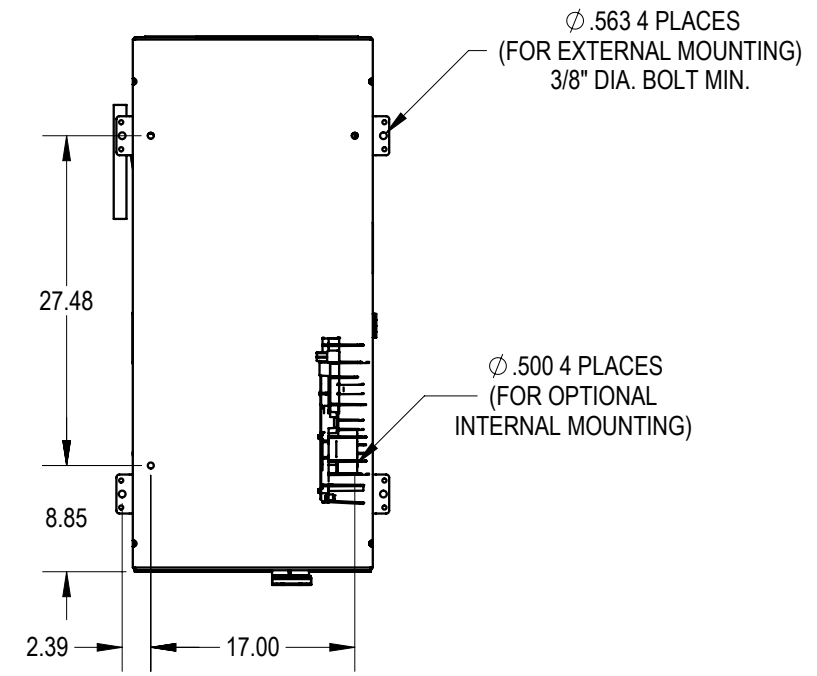
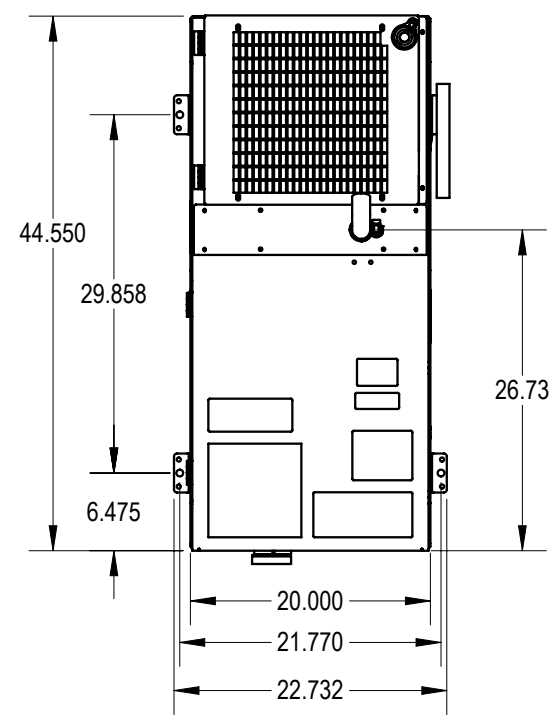


4

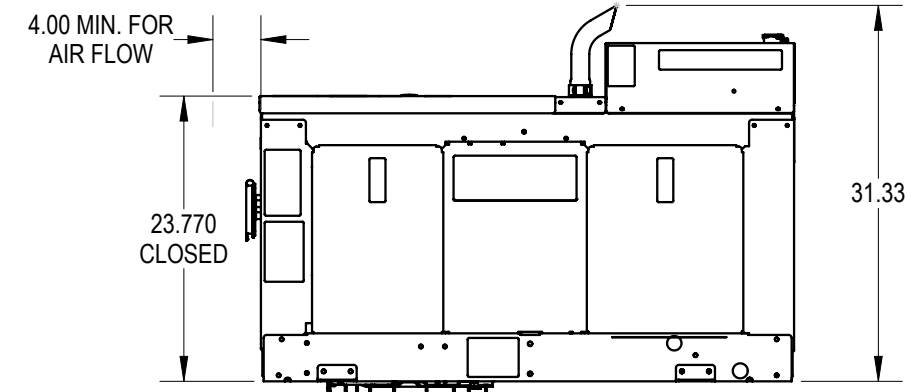
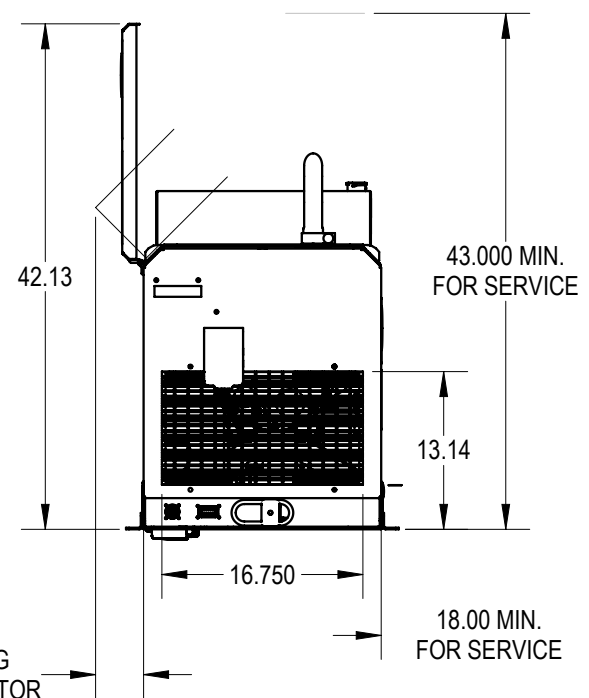
3

2

1



REFER TO OWNERS  
MANUAL FOR BOLTING  
UNIT IN PLACE



4.00 MIN FOR OPENING  
COVER & RADIATOR  
FOR SERVICE

18.00 MIN.  
FOR SERVICE

Rev	Date	By	ECO	Revision Description

Dimensions are in INCHES  
Unless Otherwise Specified

Decimal:  
0.X ±:  
0.XX ±:  
0.XXX ±:

Fractional ±:  
Angular ±:

Machine Finish:

MILLER ELECTRIC MFG. LLC, APPLETON, WI. USA An ITW Welding Company

Title: ILLUS,MACHINE LAYOUT 907759

NOT TO SCALE    CONFIDENTIAL    SHEET: 1 of 1

© MILLER ELECTRIC MFG. LLC ("MILLER"). THIS DOCUMENT FILE AND THE INFORMATION CONTAINED THEREIN ("MATERIAL") IS MILLER PROPRIETARY AND CONFIDENTIAL INFORMATION AND SHALL NOT BE DUPLICATED OR DISTRIBUTED WITHOUT MILLER'S EXPRESS WRITTEN CONSENT. THIS MATERIAL SHALL BE USED SOLELY FOR THE PURPOSE SET FORTH BY MILLER AND SHALL BE RETURNED TO MILLER UPON REQUEST.

Drn/Appvd By: JAJ    Size: **B**    Drawing No: **283763**    Rev: **A**

Date: 02/18/19

\*RoHS COMPLIANT\*

4

3

2

1

B

B

A

A