

# EnPak® A30 Series

Issued June 2023 • Index No. ED/15.0

Gas or Diesel Engine-Driven  
Air Compressor/Generator/  
Battery Charger/Crank Assist/Welder



## Quick Specs

### Processes

DC stick (SMAW)  
MIG (GMAW)  
Aluminum MIG (GMAW)  
Flux-cored (FCAW)  
DC TIG (GTAW)

### Air Compressor

30 cfm at 120–175 psi,  
100% duty cycle

### Generator Power

8,000 watts peak  
6,500 watts continuous

**Battery Charge** 12/24 V, 100 A

**Crank Assist** 12/24 V, 300 A

**Output Range** DC stick: 30–210 A  
MIG/flux-cored: 15–25 V, 210 A  
DC TIG: 30–210 A

For work-truck operators looking to consolidate or improve reliability of their power equipment, the EnPak A30 is a quiet, fuel-efficient all-in-one that maintains power capabilities in a compact lightweight footprint, and is backed by the industry-leading reliability and performance customers expect. Available in both gas and diesel models.



**Maximize available payload.** Reduce weight by up to 600 pounds and increase available payload by up to 24 cubic feet.

**Reduce fuel consumption.** Minimize fuel costs by reducing truck engine idle time by as much as 75 percent or if you have a separate engine-driven compressor by only operating one engine.

**Minimize operating costs.** Potentially save more than \$50,000 over ten years from increased fuel efficiency, decreased maintenance costs, and increased asset life.

**Professional appearance.** The components of the EnPak A30 are concealed within a durable environment-resistant precision-engineered enclosure.



Weld/battery output panel



Auxiliary power remote panel  
*Installation option on all models*



Welder/generator/air compressor/battery charger  
is warranted for three years, parts and labor.  
Engine is warranted separately by the engine manufacturer.



**Miller Electric Mfg. LLC**  
An ITW Welding Company  
1635 West Spencer Street  
P.O. Box 1079  
Appleton, WI 54912-1079 USA

**Equipment Sales US and Canada**  
Phone: 866-931-9730  
FAX: 800-637-2315  
International Phone: 920-735-4554  
International FAX: 920-735-4125

**MillerWelds.com**  
f t y i n



## EnPak® A30 Features



### Air compressor

The EnPak A30 features a 30-cfm rotary-screw compressor that can power virtually any air tool, including most 3/4-inch impact wrenches. The rotary-screw compressor reliably provides air on demand.

The EnPak A30 provides 20 cfm of air output at idle and 30 cfm at full speed.



### Generator power

The EnPak A30 provides a 6,500-watt generator that can handle most jobsite electrical needs — electrical tools, lights, and more.

The optional auxiliary power panel provides two 120-volt GFCI-protected duplex receptacles and one 120/240-volt receptacle with 60 Hz current.



### Battery charge/crank assist

The EnPak A30 produces up to 100 amps of DC current to quickly charge 12- and 24-volt batteries. It can provide jobsite equipment with weak batteries up to 300 amps of crank assist.



### Chassis power

Integrated into the truck, chassis power monitors the battery and automatically charges it as needed. Technicians can turn off their truck without worrying about jobsite tools draining the battery — leaving them stranded.



### Integrated multiprocess welding

The EnPak A30 provides multiprocess weld capabilities with 210 amps of output (100 amps while idling) so technicians are prepared for each welding job they encounter in the field.



### Auto-Speed™ technology

Advanced Auto-Speed technology automatically varies engine speed from 2,400–3,600 rpm to match compressed air, battery charge and weld demands — reducing fuel consumption, maintenance costs and noise for a safer, more efficient jobsite.



### Auto start/stop

Auto start/stop automatically turns the EnPak engine on and off based on demand, reducing fuel consumption and noise — which enhances safety and improves the work environment.



### CAN bus connectivity

Allows the EnPak A30 to connect to a telematics system so you can monitor engine data, machine loads and usage. Track service intervals, schedule maintenance proactively and improve diagnostics of your EnPak power system.

## Function and Benefit Guide

- Air compressor switch.** Turns the air compressor on/off. Air use determines engine speed.
- Battery charge/weld switch.** The charge position allows chassis power or battery charge and crank assist, selectable between 12 volt or 24 volt at the process control switch. The weld position puts unit in weld mode.
- Process control switch.** Process switch works in conjunction with Charge/Weld switch. Use switch to select weld process or battery charge process.
- Setup light** illuminates when in Service Menu.
- Battery charge/crank assist receptacle** for Anderson-style connection to battery charge/crank assist (12 or 24 volt).
- Weld output receptacles (Tweco®-style).**
- Menu display and arc control indicator lights**
- Maintenance indicator lights.** When illuminated, lights indicate when either engine or compressor is due for oil change.
- Engine control switch** is used to start and stop the engine, and select between auto start/stop or Auto-Speed™. In auto start/stop position engine turns on and off based on demand. In Auto-Speed™ position engine runs at speed determined by load demand.
- Glow plug light (diesel only)** illuminates when the engine glow plugs are energized.



- USB port** allows software updates from a USB drive. A summary file of recorded data from the unit will be saved to a USB drive that is inserted.
- Pushbutton main control knob** used for adjusting amperage/voltage, adjusting arc control, and accessing the service menu.
- Optional 120 V receptacles w/circuit breakers and 120/240 V, 50 A receptacle**  
*Note: For matching 50 A plug, order 119172.*

## Air Compressor Specifications

Compressor Brand and Warranty	Features	Free Air Delivery at 3,600 rpm	Working Pressure	Duty Cycle	Oil Capacity	Automatic Compressor Shutdowns
Rotorcomp, covered under the Miller® 3-year warranty	Rotary screw with electric clutch for on/off. Oil change intervals 500 hours.	30 cfm (0.85 m <sup>3</sup> /min.)	80–175 psig	100%	2 qt. (1.89 L)	High pressure (200 psi), high temperature

## Battery and Weld Specifications

Process	Output Ranges	Rated Output at 104°F (40°C)*	Single-Phase Generator Power	Sound Levels at 7 m (23 ft.)	Dimensions	Net Weight**
Chassis power	12 V	100 A	Peak: 8,000 watts Continuous: 6,500 watts	Idle: 66 dB (gas) 67 dB (diesel) High speed: 72 dB (no load) 73 dB (loaded)	<b>Machine</b> H: 28 in. (711 mm) W: 20 in. (508 mm) D: 47 in. (1,192 mm)  <b>Main Control Panel</b> H: 5.5 in. (13.9 mm) W: 16.2 in. (41.1 mm) D: 3.2 in. (8.1 mm)	<b>Gas</b> 530 lb. (240 kg)  <b>Diesel</b> 624 lb. (283 kg)
Battery charge/crank assist	12/24 V	Charge: 100 A, Crank assist: 300 A				
DC stick/TIG	30–210 A	120 A at 25 V, 100% duty cycle 140 A at 26 V, 60% duty cycle 210 A at 28 V, 20% duty cycle				
MIG/FCAW	30–210 A	120 A at 20 V, 100% duty cycle 140 A at 21 V, 60% duty cycle 210 A at 25 V, 20% duty cycle				

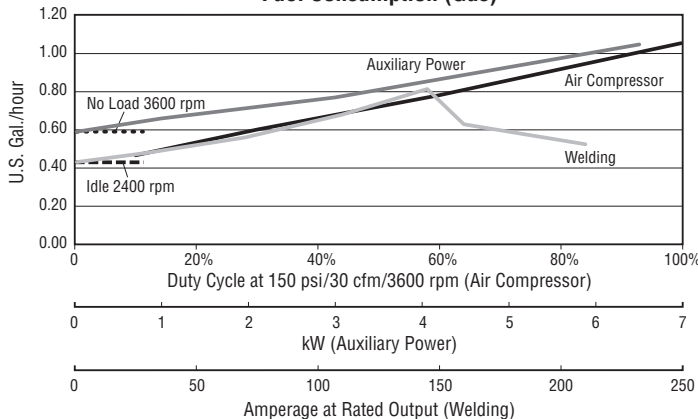
\*Rated at sea level. \*\*Net weight without fuel, with standard remote panels.

## Engine Specifications (Engines warranted separately by the engine manufacturer.)

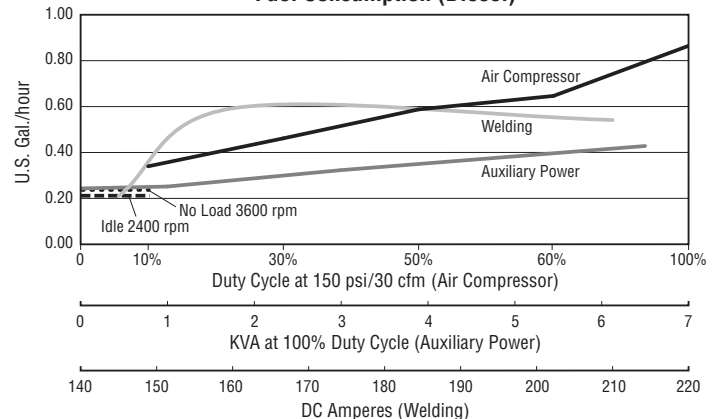
EnPak A30 Model	Engine Brand and Warranty	Horsepower (HP)	Type	Power Speed	Idle Speed	Fuel Capacity	Oil Capacity	Standard Shutdowns
Gas	Kohler EFI ECH730, 3-year warranty	23 hp at 3,600 rpm	Twin-cylinder, four-cycle overhead valve, industrial air-cooled, gasoline (EFI) with ETB (electronic throttle body)	3,600 rpm	2,400 rpm	7 gal. (26.5 L)	2.0 qt. (1.9 L)	Low oil pressure
Diesel	Kubota D722, 3-year warranty	19 hp at 3,600 rpm	Three-cylinder, industrial liquid-cooled diesel with 60-amp alternator and electronic governor. Engine block heater standard	3,600 rpm	2,400 rpm	Chassis integrated	3.4 qt. (3.2 L)	Low oil pressure, high coolant temperature

## Performance Data

### Fuel Consumption (Gas)



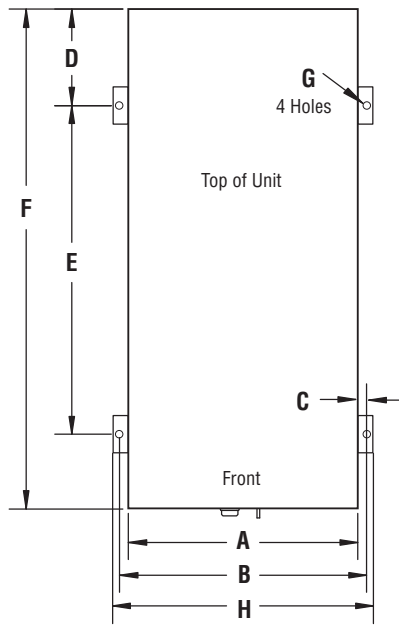
### Fuel Consumption (Diesel)



# Mounting Specifications (See owner's manual for complete installation requirements.)

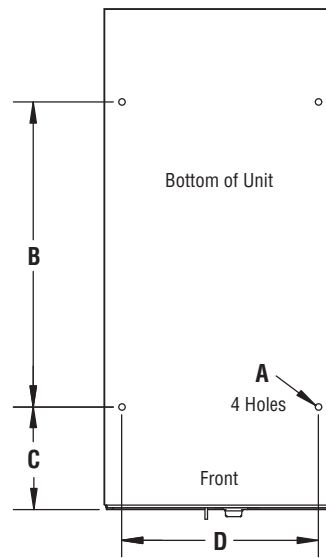
## External Mounting

- A. 20 in. (508 mm)
- B. 21.77 in. (553 mm)
- C. 0.88 in. (22 mm)
- D. 8.21 in. (209 mm)
- E. 29.86 in. (758 mm)
- F. 44.61 in. (1,133 mm)
- G. 9/16 in. (14 mm) diameter
- H. 22.73 in. (577 mm)



## Internal Mounting

- A. 0.5 in. (12.7 mm) diameter
- B. 27.48 in. (698 mm)
- C. 9.38 in. (238 mm)
- D. 17 in. (432 mm)



## Genuine Miller® Accessories

### Control Panel Extension Cable

**301539** 15 ft. (4.6 m)

### Auxiliary Fuel Pump 301598

Gas model only.

### Protective Covers

**301543** For gas models

**301544** For diesel models

Heavy-duty covers protect the finish of welder.

### Cold Weather Kits



#### Air Compressor Oil Heater 301448

For use in ambient temperatures less than 10°F (-10°C).

### Diesel Fuel Heater/Cold Weather Kit

**301538**

### Maintenance Kits



#### Air Compressor Service Kit 275644

Includes compressor oil filter, inlet air filter, oil/air separator and compressor oil.

### Engine Filter Kits

**284119** Gas

**284101** Diesel

Includes oil filter, spark plugs (gas model only), air filter and fuel filter.

### Accessory Kit Packages



#### Ready To Work Accessory Kit 951858

Includes auxiliary power remote panel, battery charge/jump cables, and 50 ft. (15.2 m) weld cables with electrode holder and work clamp.



#### Power Accessory Kit 951870

Includes auxiliary power remote panel (cabling not included) and battery charge/jump cables.

### Air Compressor Accessories



#### Air Dryer Kit 301488

Cools and removes moisture from the air supply.

*Note: Not recommended for use below 32°F (0°C). Water condensate in the cooler or separator can freeze causing reduced or blocked airflow.*



#### Desiccant Air Dry System - 30 300690

A regenerating inline air dryer system that eliminates moisture in the air stream to prevent air tool freeze-ups in cold climates

# Genuine Miller® Accessories

## Generator Power Accessories



**Auxiliary Power Remote Panel 301562**  
Includes and two 120 V receptacles w/circuit breakers and one 120/240 V, 50 A receptacle (no EnVerter receptacles). **Cabling NOT included.**



**Full KVA Plug Kit 119172**  
120/240 V, 50 A plug (NEMA 14-50P) to fit full KVA receptacle.

**GFCI Receptacle 282067**  
15/20 A receptacle with mounting tabs.



Female Receptacle



**Full KVA Adapter Cord 300517**  
NEMA 14-50P to NEMA 6-50R. Adapts engine drive 120/240 V plug to common Millermatic® and Spectrum® 240 V plug.

## Battery Charge/Crank Assist Accessories



**Battery Charge/Jump Cables with Plug 300422** 25 ft. (7.6 m)

## Weld Accessories

**2/0 Weld Cable Sets 301566**  
350 amps, 100 percent duty cycle. 50-foot (15.2 m) cables with Tweco®-style male connector and either an electrode holder or work clamp.



**2/0 Weld Cables**  
**195457** Cable with electrode holder  
**195458** Cable with work clamp  
400 amps, 100 percent duty cycle. 10-foot (3 m) cable with Tweco®-style male connector and either an electrode holder or work clamp. Each includes a stud/Tweco® adapter.



**2/0 Weld Cable Extension 195456**  
50-foot (15 m) cable extends weld cables 195457 and 195458. Two needed for a complete set.



**No. 2 Weld Cable Sets 195196**  
200 amps, 100 percent duty cycle. 15-foot (4.6 m) cables with either an electrode holder or work clamp.



**Tweco®-Style Connector 191981**  
Male Tweco-style plug.



**ArcReach® SuitCase® 8**  
**951726** With Bernard® BTB Gun 300 A  
**951727** With Bernard® S-Gun™  
**951728** With Bernard® Dura-Flux™ gun  
**ArcReach® SuitCase® 12**  
**951729** With Bernard® BTB Gun 300 A  
**951730** With Bernard® S-Gun™  
**951731** With Bernard® Dura-Flux™ gun  
Portable feeder designed to run off of arc voltage. See literature M/6.55.



**MIG Aluminum Accessory Kit 951881**  
Includes a Spoolmatic® 30A, 25 ft. (7.6 m) extension hose and regulator assembly.



**Spoolmatic® 30A Spool Gun 130831**  
Rated at 200 amps, 100 percent duty cycle with 30-foot (9 m) cable.



**Spoolmate™ 200 Spool Gun 300497**  
Rated at 160 amps, 60 percent duty cycle with 20-foot (6 m) cable.

**Extension Hose and Cable Kit 132228**  
25 ft. (7.6 m). For Spoolmatic 30A and Spoolmate 200 spool guns.

**Flow Gauge Regulator 234263**  
0–50 scfh, argon/CO<sub>2</sub>

## Plug-In Welders



**Maxstar® 210 STR 907682**  
120–480 V, 50/60 Hz, single- or three-phase. Portable DC stick/TIG power source. See literature DC/32.1.

## Plasma Cutters



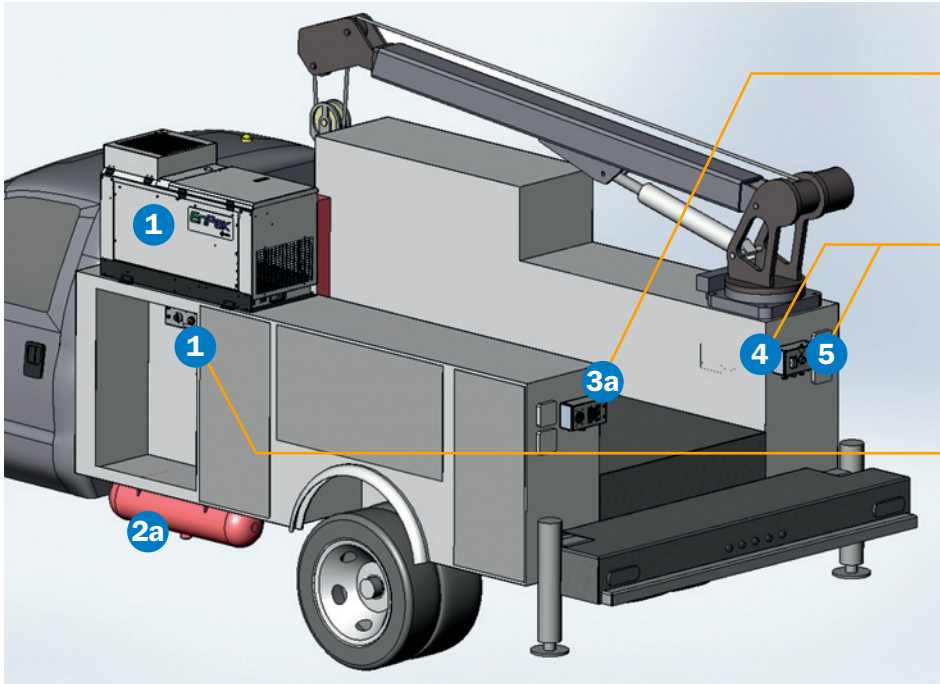
**Spectrum® 375 X-TREME™ 907529**  
Comes complete with protective X-CASE™ (not shown). See literature PC/9.2.

## CabEn™



**CabEn Climate Solutions**  
For work truck fleet managers who need to eliminate truck engine idle time, CabEn climate solutions are the only fully integrated cab heating and cooling systems that provide all-day relief from the outside environment while the truck engine is turned off. See ED/17.0 for more information.

# EnPak® A30 Model and Accessories Selection



**Auxiliary power remote panel**  
*Optional* on all models. Cabling is provided by integrator.



**Weld and battery charge/crank assist panel**  
*Included* on all models. Includes 30 feet (9 m) of cabling.



**User interface panel**  
*Included* on all models. Includes 20 feet (6 m) of cabling.

## 1 EnPak A30 Models and Kits

- a** CHOOSE an A30 model (see models and features at right)  
*Included* on all models are user interface panel with 20 ft. (6 m) of cabling, battery charge/crank assist panel, and engine block heater  
*Optional* on diesel model is a cold weather package which adds factory-installed diesel fuel heater and compressor oil heater
- b** General accessories (see page 4 for options)
- c** Cold weather and maintenance kits (see page 4 for options)
- d** Accessory kit packages (see page 4 for options)

	Fuel		Features				Cold Weather Package
	Gas	Diesel	2 Air Compressor	3 Generator Power	4 Battery Charge/Crank Assist	5 Weld	
<b>1</b> EnPak A30 Model							
A30GBW (Gas)	•		•	•	•	•	
A30GBW Diesel		•	•	•	•	•	
A30GBW Diesel Cold Weather Package		•	•	•	•	•	•

## EnPak A30 Feature Accessories (sold separately)

### 2 Air Compressor

- a** REQUIRES 10-gallon minimum air reservoir for installation — NOT provided by Miller
- b** Air dryer kit (see page 4 for options)

### 3 Generator Power

- a** Auxiliary power remote panel
- b** Adapter cords and plugs (see page 5 for options)

### 4 Battery Charge/Crank Assist

- a** Battery charge / jump assist cables

### 5 Weld

- a** Weld cables and connectors (see page 5 for options)
- b** Wire feeders (see page 5 for options)
- c** Spool guns / spool gun accessories (see page 5 for options)

# Ordering Information

Equipment and Options	Stock No.	Description	Qty.	Price
<b>1a</b> EnPak® A30GBW (Gas)	907772	Kohler gas engine. Air compressor, generator power, battery charge/crank assist, chassis power and weld		
EnPak® A30GBW Diesel	907759	Kubota diesel engine. Air compressor, generator power, battery charge/crank assist, chassis power and weld		
EnPak® A30GBW Diesel Cold Weather Package	907759001	Same as 907759 above, plus factory-installed diesel fuel heater, cold weather kit and air compressor oil heater		
<b>General Accessories</b>				
<b>1b</b> Control Panel Extension Cable	301539	15 ft. (4.6 m)		
Auxiliary Fuel Pump	301598	For gas model		
Protective Covers	301543	For gas model		
	301544	For diesel model		
<b>Cold Weather and Maintenance Kits</b>				
<b>1c</b> Air Compressor Oil Heater	301448	Recommended for use at or below 10°F (-10°C)		
Diesel Fuel Heater/Cold Weather Kit	301538	For diesel model		
Air Compressor Service Kit	275644	Includes compressor oil filter, inlet air filter, oil/air separator and compressor oil		
Engine Filter Kits	284119	Gas. Includes oil filter, spark plugs, air filter and fuel filter		
	284101	Diesel. Includes oil filter, air filter and fuel filter		
<b>Accessory Kit Packages</b>				
<b>1d</b> Ready To Work Accessory Kit	951858	Includes auxiliary power remote panel (cabling not included), battery charge/jump cables, and 50 ft. (15.2 m) weld cables with electrode holder and work clamp		
Power Accessory Kit	951870	Includes auxiliary power remote panel (cabling not included) and battery charge/jump cables		
<b>Air Compressor Accessories</b>				
<b>2a</b>	<b>REQUIRES 10-gallon minimum air reservoir for installation — NOT provided by Miller</b>			
<b>2b</b> Air Dryer Kit	301488	Cools and removes moisture from the air supply		
Desiccant Air Dryer System - 30	300690	Regenerating inline air dryer system that eliminates moisture in the air stream		
<b>Generator Power Accessories</b>				
<b>3a</b> Auxiliary Power Remote Panel	301562	Includes and two 120 V receptacles w/circuit breakers and one 120/240 V, 50 A receptacle (no EnVerter receptacles) — cabling NOT included		
<b>3b</b> Full KVA Plug Kit	119172	120/240 V, 50 A plug (NEMA 14-50P) to fit full KVA receptacle		
GFCI Receptacle	282067	15/20 A receptacle with mounting tabs		
Full KVA Adapter Cord	300517	NEMA 14-50P to NEMA 6-50R. Adapts engine drive 120/240 V plug to common Millermatic® and Spectrum® 240 V plug		
<b>Battery Charge/Crank Assist Accessories</b>				
<b>4a</b> Battery Charge/Jump Cables with Plug	300422	25 ft. (7.6 m)		
<b>Weld Accessories</b>				
<b>5a</b> Weld Cables and Connectors		See page 5		
<b>5b</b> Wire Feeders		See page 5		
<b>5c</b> Spool Guns/Spool Gun Accessories		See page 5		
<b>Plug-In Welders</b>				
		See page 5 (requires auxiliary power remote panel)		
<b>Plasma Cutters</b>				
		See page 5 (requires auxiliary power remote panel)		

Date:

Total Quoted Price:

---

Distributed by:

