

8

7

6

5

4

3

2

1

D

D

C

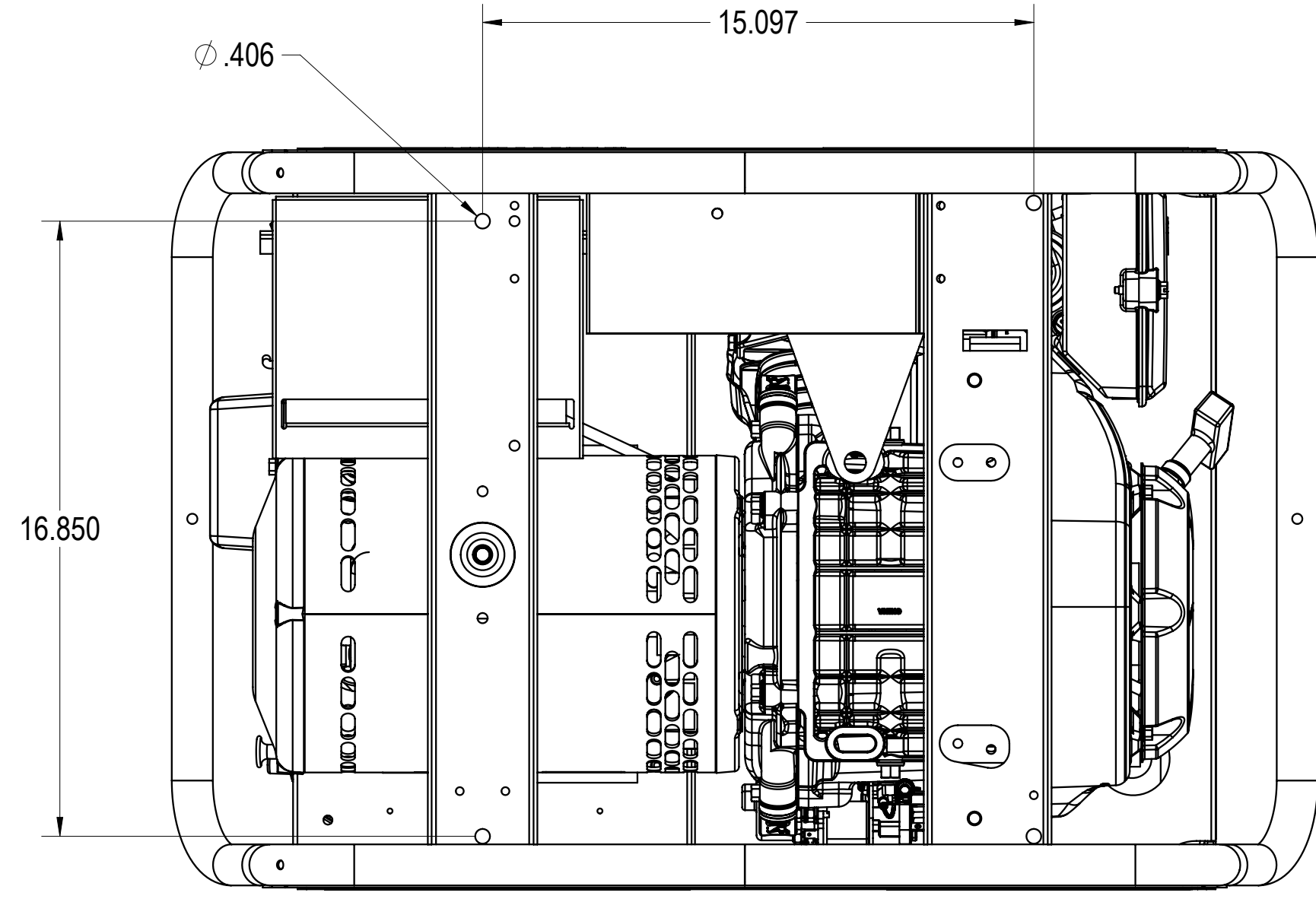
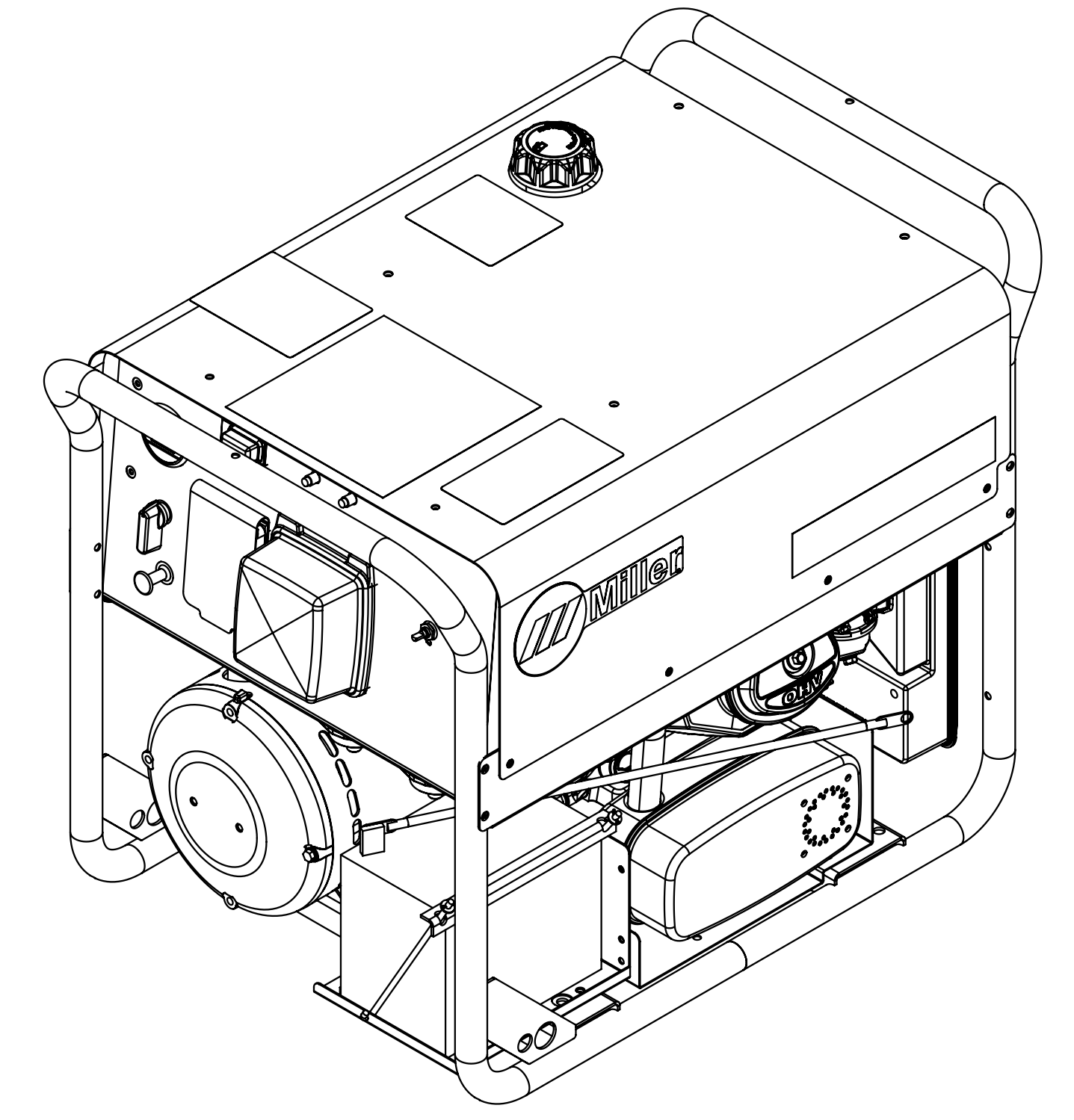
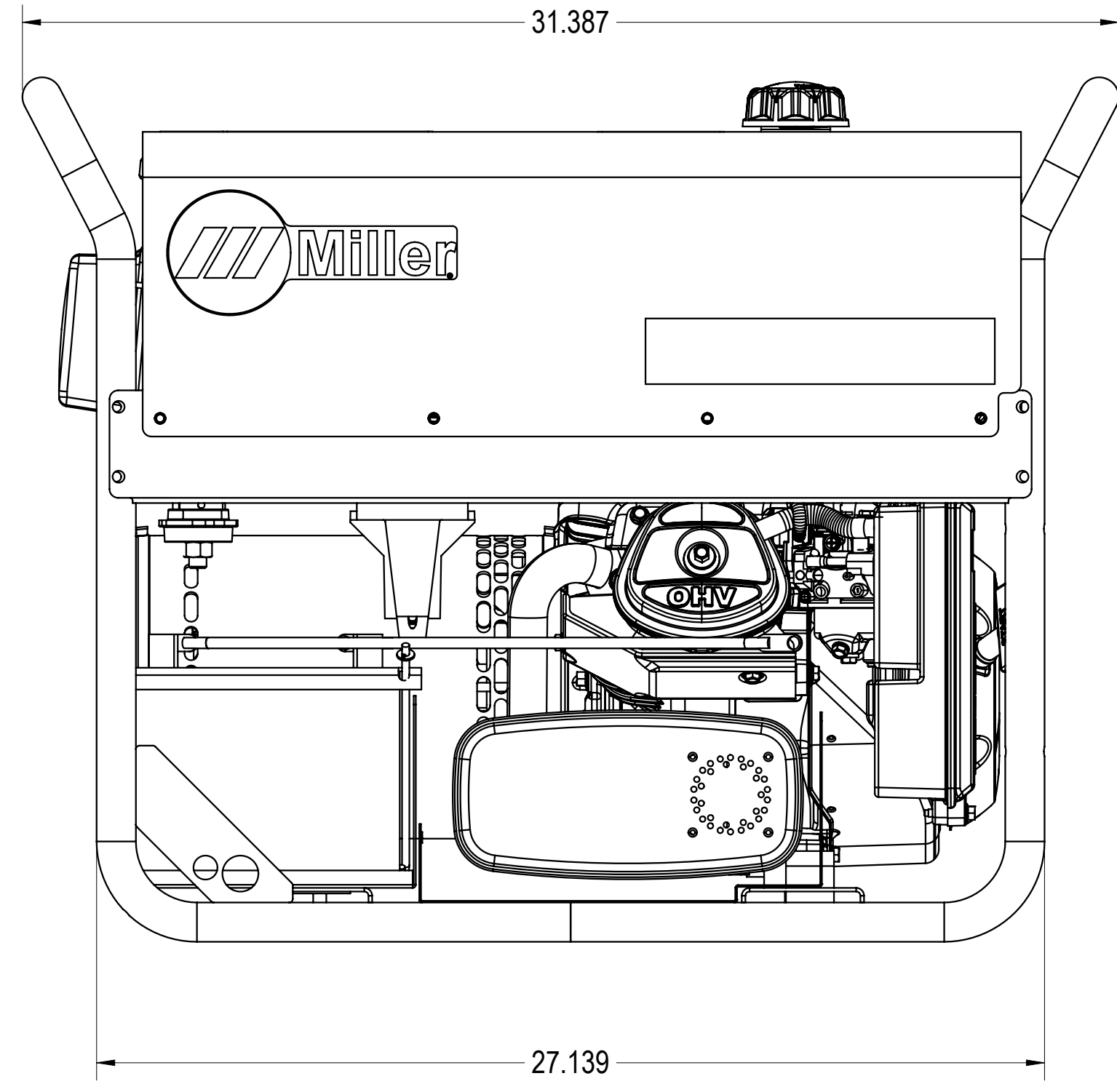
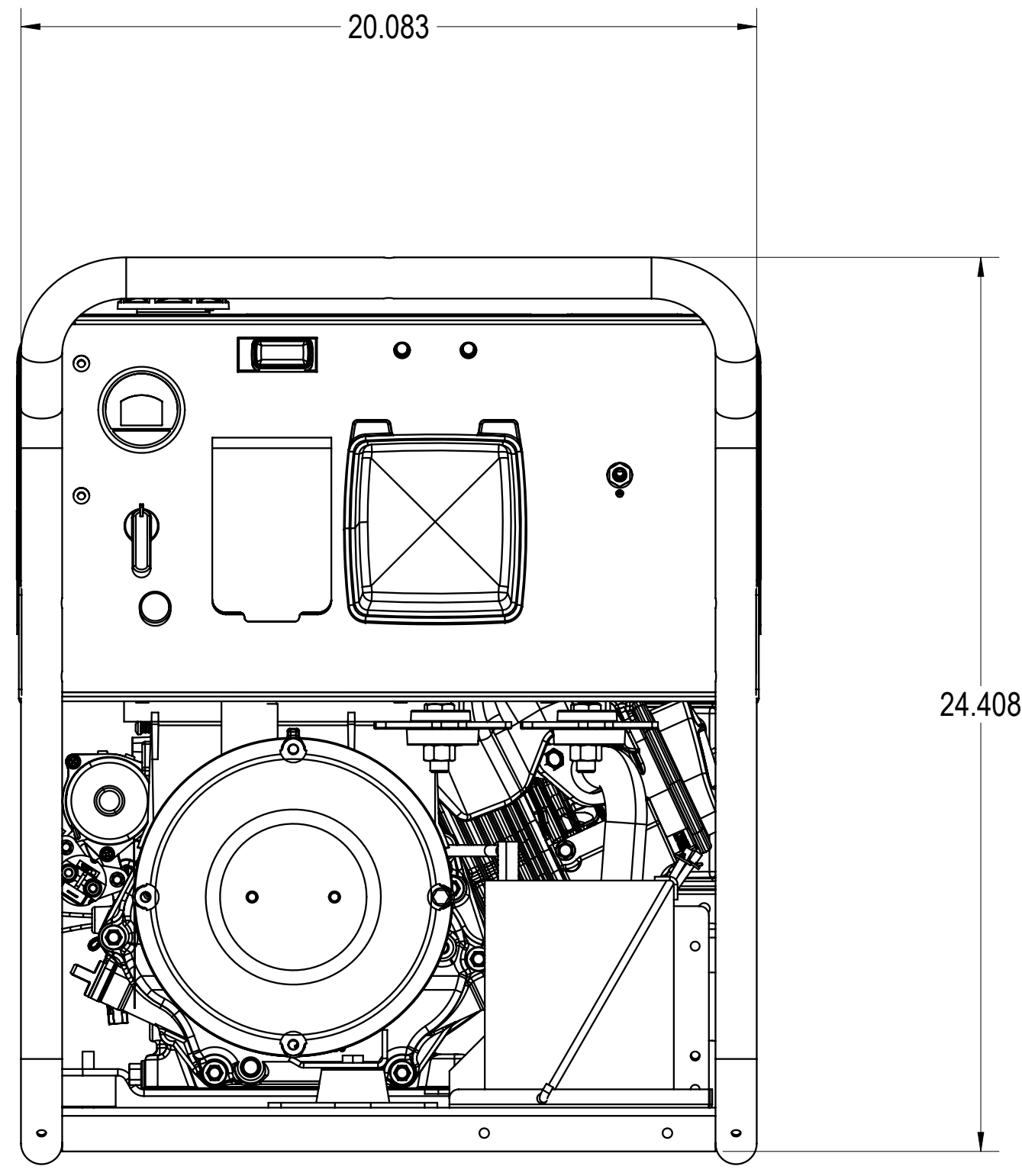
C

B

B

A

A



RoHS COMPLIANT

8

7

6

5

4

3

2

1

Dimensions are in INCHES Unless Otherwise Specified				 MILLER ELECTRIC MFG. LLC, APPLETON, WI, USA An ITW Welding Company Title: BLUE STAR 185	
Decimal:	0.X :	NOT TO SCALE			
	0.XX :	CONFIDENTIAL SHEET: 1 of 1			
	0.XXX :	© MILLER ELECTRIC MFG. LLC/MILLERS. THIS DOCUMENT AND THE INFORMATION CONTAINED THEREIN IS MILLER PROPERTY AND CONFIDENTIAL INFORMATION AND SHALL NOT BE REPRODUCED OR DISTRIBUTED WITHOUT MILLER'S EXPRESS WRITTEN CONSENT. THIS WARNING SHALL BE REPRODUCED FOR THE PURPOSE SET FORTH BY MILLER AND SHALL BE RETURNED TO MILLER UPON REQUEST.			
Fractional:					
Angular:					
Machine Finish:					
Orig. Dwn. By:	CL	Date:	03/15/24	Size:	D
Rev. Apprv. By:	CL	Date:	02/20/24	Drawing No.:	907664
Rev	Date	By	ECO	Revision Description	Rev
					A