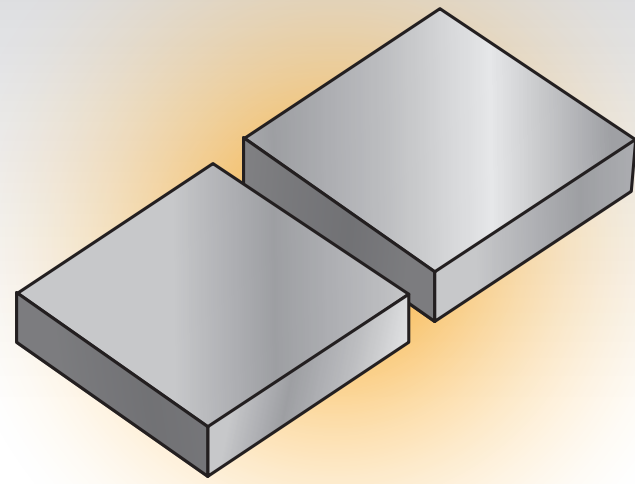




WELDING JOINT TYPES

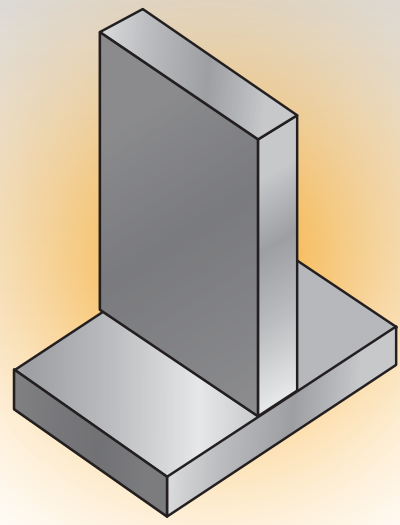


Most welding projects use at least one of the five welding joint types shown below. Explore their benefits and applications – understanding each welding joint type is an important part of becoming an experienced, successful welder.



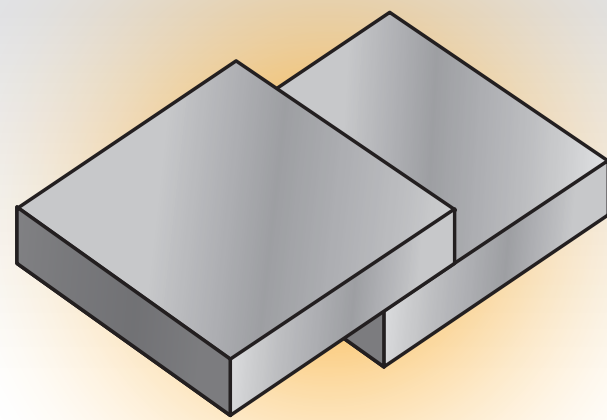
»» Butt Joint

- Joins two members that meet at their edges on the same plane
- Used in applications where a smooth weld face is required
- Fillet or groove welded; groove welding requires added expertise and expense
- Improper design/welding risks distortion and residual stresses



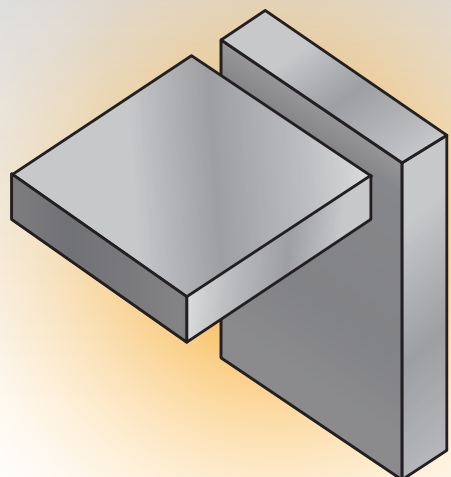
»» T-Joint

- Joins two members that meet at a T-shaped angle
- Good mechanical properties, especially when welded from both sides
- Easily welded with little or no joint preparation
- Usually fillet welded, although J-grooves are possible



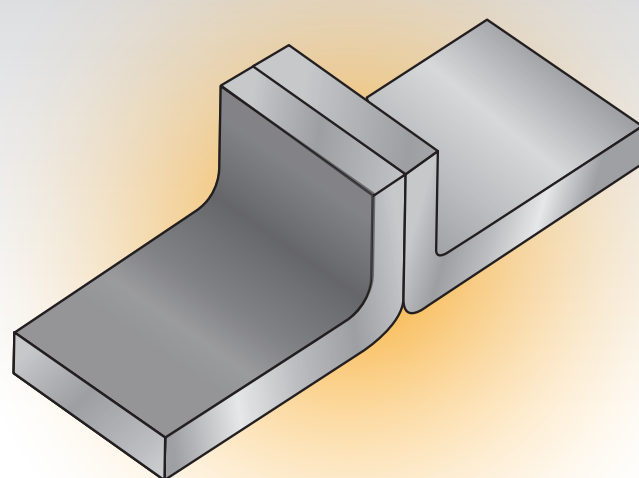
»» Lap Joint

- Joins two members having overlapping surfaces
- Good mechanical properties, especially when welded from both sides
- Usually fillet welded
- Thicker material requires more overlap



»» Corner Joint

- Joins two members that meet at an angle
- Two main types: open corner and closed corner
- Easily welded with little or no joint preparation
- Increase travel speed on light-gauge material to avoid burn-through



»» Edge Joint

- Joins two parallel, or nearly parallel, members
- Not recommended if either member will be subject to impact or high stresses
- Square groove is most common, but other groove configurations are possible
- Very deep penetration is impossible



The Power of Blue®