








PM-279639A

2020-08

**Processes**

-  MIG (GMAW) Welding
-  Flux Cored (FCAW)
-  Stick (SMAW) Welding
-  TIG (GTAW) Welding
-  Air Carbon Arc (CAC-A) Cutting and Gouging

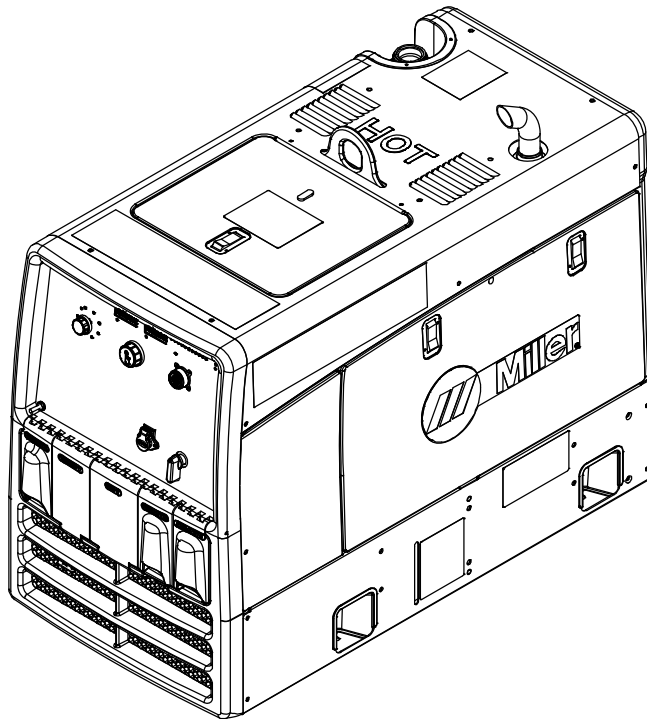
**Description**



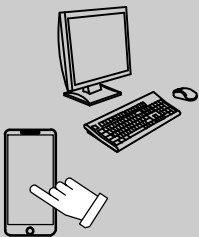
Engine Driven Welder/Generator

# Trailblazer<sup>®</sup> 325

## Eff w/Serial No. MH330305R And Following



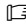
# PARTS MANUAL



For product information,  
Owner's Manual translations,  
and more, visit

[www.MillerWelds.com](http://www.MillerWelds.com)

# SECTION 1 – PARTS LIST

 Hardware is common and not available unless listed.

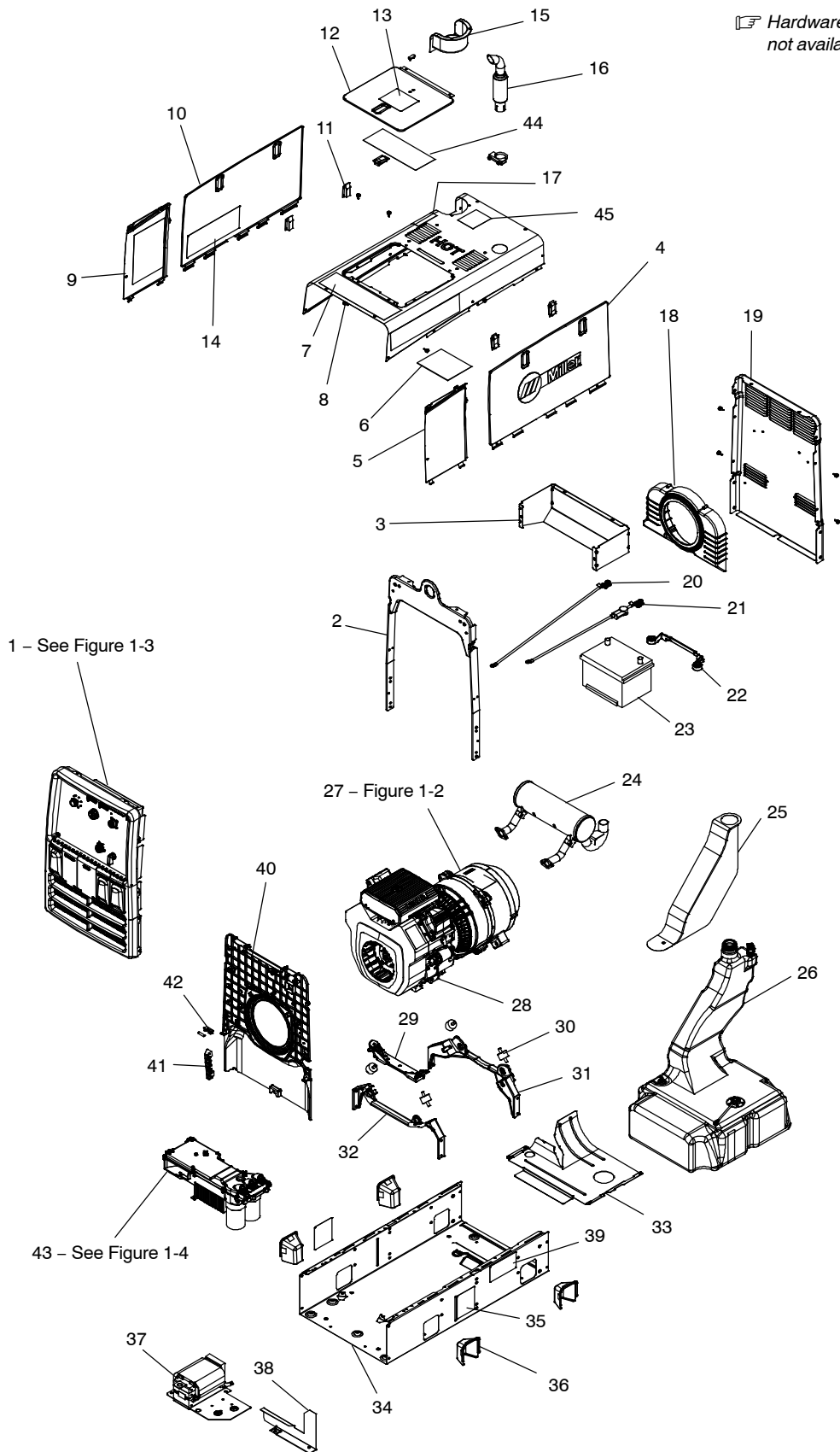


Figure 1-1. Main Assembly (Kohler ECH730 Engine Shown)

907754

# Eff w/ Serial No. MH330305R And Following

Item No.	Dia. Mkgs.	Part No.	Description	Quantity
<b>Figure 1-1. Main Assembly</b>				
1		Figure 1-3	Front Panel Assembly	1
2		249241	Upright, Base	1
3		249256	Heat Shield, Muffler	1
4		249250	Door, Side RH	1
4		255940	Door, Side RH w/Latch and Seal	1
5		249248	Panel, Side RH	1
6		252069	Shield, Heat Reflective (Cover)	1
7		255052	Label, Warning General Precautionary CSA (Bilingual)	1
7		◆286633	Label, Warning General Precautionary (Triling) Wireless Remote	1
8		+249252	Cover, Top	1
8		◆+286611	Cover, Top (Remote)	1
8		255909	Cover, Top Service Assy ( <b>CH730, ECH730</b> )	1
8		255910	Cover, Top Service Assy ( <b>LP Gas, Liquid LP</b> )	1
8		◆288846	Cover, Top Service Assy (Remote Start)	1
8		◆288847	Cover, Top Service Assy (Battery Charge with Remote Start)	1
9		249249	Panel, Side LH	1
10		249251	Door, Side LH	1
10		255941	Door, Side LH w/Latch and Seal	1
11		211370	Latch, Door	5
12		249244	Door Assy, Access Engine Top	1
13		233088	Label, Danger Using A Generator Indoors Can Kill	1
		217395	Bumper, Door .500 OD X .250 High Nprn 70 Duro	11
		220371	Seal, Rubber W/Adhesive .370 X .750 X 14.500	2
		191626	Bumper, Door Access Engine	1
14		281802	Label, Engine Maintenance Kohler (Bilingual) (Prior to MJ490429R)	1
14		284008	Label, Engine Maint Kohler CH730/ECH730/CH730 LP (Eff w/MJ490429R)	1
		255707	Cap, Tank Screw-on W/Tether	1
15		181881	Grommet, Plastic Neck Filler Fuel	1
16		249317	Pipe, Exhaust Elbow w/Resonator	1
17		249302	Label, Warning Gasoline (EPA) Bilingual	1
18		249280	Baffle, Air Rear	1
19		249239	Panel, Rear	1
20		249615	Cable, Battery Negative (30.00 In)	1
21		245134	Cable, Battery Positive (25 In)	1
22		249330	Hold Down, Battery	1
23			Battery, Stor 12V CCA 420 Gp 58 Maint Free	1
24		249313	Muffler, Exhaust Engine (Kohler <b>CH730, Liquid LP</b> )	1
24		249741	Muffler, Exhaust Engine (Kohler <b>ECH730, LP Gas</b> )	1
		209057	Clamp, Muffler 1.625 Dia U Pld	1
		189477	Gasket, Muffler	2
25		252215	Shield, Heat Reflective (Tank) ( <b>CH730 and ECH730 Only</b> )	1
26		266531	Assy, Tank 12.0 Gal W/Vent Valve & Sender (Includes) ( <b>CH730 and ECH730 Only</b> )	1
		263999	Sender, Fuel Gauge	1
		228054	Gasket, Fuel Sender/Fuel Tank	1
		251541	Kit, EPA Vent System (Kohler <b>CH730</b> ) (Includes)	1
		251543	Kit, EPA Vent System (Kohler <b>ECH730</b> ) (Includes)	1
		252645	Valve, Solenoid 2-way Normally Closed 14VDC 6.5 W	1
		124253	Bushing, Tank Fuel	1
		181881	Grommet, Plastic Neck Filler Fuel ( <b>LP Gas, Liquid LP</b> )	1
27		Figure 1-2	Generator Assembly	1
28		249784	Engine, Gasoline Elec Start E/Gov (Kohler <b>CH730</b> ) (Prior to NA170330R)	1
28		287472	Engine Assy, Gas Elec Start w/Echoke (Kohler <b>CH730</b> ) (Eff w/NA170330R)	1
		230015	Tune-Up & Filter Kit, Kohler <b>CH730</b> (Includes)	1
		230016	Air Filter, Kohler (Ch23)	1
		066698	Filter, Oil Kohler (Ch12.5/18/20)	1
		215985	Filter, Fuel W/Clamps	1

# Eff w/ Serial No. MH330305R And Following

Item No.	Dia. Mkgs.	Part No.	Description	Quantity
<b>Figure 1-1. Main Assembly (Continued)</b>				
		067007	Spark Plug, Kohler (Ch12.5/18/20) & Briggs Intek 8	2
		230017	Air Filter Pre-Cleaner, Kohler (Ch23)	1
		190248	Fuel Pump ( <b>CH730</b> )	1
	F6	*215621	Fuse, 30 Amp Ato Type (Kohler <b>CH730</b> )	1
	S5	276379	Switch, Oil Pressure (Kohler <b>CH730</b> )	1
		255463	Throttle Rod (Kohler <b>CH730, LP Gas, Liquid LP</b> )	1
28		259990	Engine, Gasoline Elec Start EFI (Kohler <b>ECH730</b> ) (Prior to MJ490429R)	1
28		283382	Engine, Kohler Gas Elec (EFI w/E-Gov Ps- <b>ECH730</b> ) (Eff w/MJ490429R)	1
		190248	Fuel Pump ( <b>ECH 730</b> ) (Prior to MJ490429R)	1
		283588	Pump, Fuel Electric 12VDC 1-2 Psi ( <b>ECH 730</b> ) (Eff w/MJ490429R)	1
		*246115	Tune-Up & Filter Kit, Kohler <b>ECH730</b> (Includes) (Prior to MJ490429R)	1
		*284083	Tune-Up And Filter, Kohler <b>ECH730</b> (Includes) (Eff w/MJ490429R)	1
		230016	Air Filter Element	1
		066698	Oil Filter	1
		246117	Filter, Fuel W/Clamps (Primary) (Prior to MJ490429R)	1
		246123	Filter, Fuel W/Clamps (Secondary) (Prior to MJ490429R)	1
		283614	Filter, Fuel In-Line (Eff w/MJ490429R)	1
		067007	Spark Plug	2
		230017	Air Filter Wrapper	1
		264859	Sensor, Oxygen (Kohler <b>ECH730</b> )	1
	F6	*242712	Fuse, 15 Amp Automotive Blade (Kohler <b>ECH730</b> )	1
	S5	276395	Switch, Oil Pressure (Kohler <b>ECH 730</b> )	1
		263327	Kit, EFI Fuel Pump Module	1
		274385	Throttle Rod (Kohler <b>ECH730</b> )	1
28		277470	Engine, Kohler <b>LP Gas Elec EFI PCH740</b>	1
		278028	Tune-Up And Filter Kit, Kohler <b>PCH740 LP</b> (Includes)	1
		066698	Filter, Oil Kohler (Ch12.5/18/20)	1
		278027	Filter, Fuel Lp Gas	1
		230016	Air Filter, Kohler (Ch23)	1
		230017	Air Filter Pre-Cleaner, Kohler (Ch23)	1
		067007	Spark Plug, Kohler (Ch12.5/18/20) & Briggs Intek 8	2
		255463	Throttle Rod (Kohler <b>CH730, LP Gas, Liquid LP</b> )	1
28		249859	Engine Assy, LP Gas Elec Start w/Egov ( <b>Liquid LP</b> )	1
		252838	Tune-Up And Filter Kit, Kohler <b>Liquid LP</b> (Includes)	1
		066698	Filter, Oil Kohler (Ch12.5/18/20)	1
		252837	Filter, Fuel Lp Gas	1
		067272	Air Filter, Kohler (Ch18/20)	1
		067273	Air Filter Pre-Cleaner, Kohler (Ch18/20)	1
		067007	Spark Plug, Kohler (Ch12.5/18/20) & Briggs Intek 8	2
		255463	Throttle Rod (Kohler <b>CH730, LP Gas, Liquid LP</b> )	1
		251214	Motor, Stepper Electronic Governor	1
29		249226	Bracket, Mtg Engine Kohler	1
30		249255	Mount, Vibration	4
31		249229	Bracket, Mtg Base Generator	1
32		249228	Bracket, Mtg Base Engine	1
33		249329	Cover, Fuel Tank	1
34		+249254	Base	1
35		227912	Label, Warning Do Not Weld On Base/Fuel Level	2
36		211355	Cover, Base	4
		250494	Cover, Base <b>LP Gas, Liquid LP</b>	1
37	DC-Z	249789	Stabilizer Assy,	1
39	DC-Z	◆249793	Stabilizer Assy, Sine Aux	1
		257112	Washer, Dragon Tooth .270idx.680odx.031t Cop Pld	1
38		256934	Baffle, Heat Sink	1
39		227913	Label, Warning Battery Explosion Can Blind	1
40		249253	Baffle, Engine	1
41	1T	172661	Block, Stud Connection 6 Position	1
		173734	Link, Jumper	2
42		172731	Holder, Fuse Mintr .250 X 1.250 Clip Anti-pivot	1

# Eff w/ Serial No. MH330305R And Following

Item No.	Dia. Mkgs.	Part No.	Description	Quantity
<b>Figure 1-1. Main Assembly (Continued)</b>				
.....	F5	*012655	Fuse, Mintr Cer 10. Amp 250 Volt	1
... 43	.....	Figure 1-4	Assy, IGBT/Capacitor	1
.....	CB4	083432	Supplementary Pro, Man Reset 1p 10A 250VAC Frict	1
... 44	.....	280799	Label, User Guide	1
... 45	.....	264329	Label, Notice Do Not Overfill	1
.....	.....	229133	Label, Warning LP Gas ( <b>LP Gas, Liquid LP</b> )	1
.....	.....	279185	Label, Notice LP Fuel Type (Tri-lingual) ( <b>LP Gas</b> )	1
.....	.....	283092	Label, Notice LP Fuel Type (Trilingual) ( <b>Liquid LP</b> )	1
.....	.....	278439	Label, Fuel/Hour/Engine Shutdown	1
.....	.....	◆286600	Module, Antenna Radio Receiver	1
.....	.....	◆286598	Kit, Remote Module/Fob	1
.....	.....	◆287507	Bracket, Receiver Wireless Remote	1
.....	.....	◆286634	Label, Warning Remote Start	1
.....	.....	◆286737	Cable, Charging USB	1
.....	.....	◆286604	Charger, USB	1

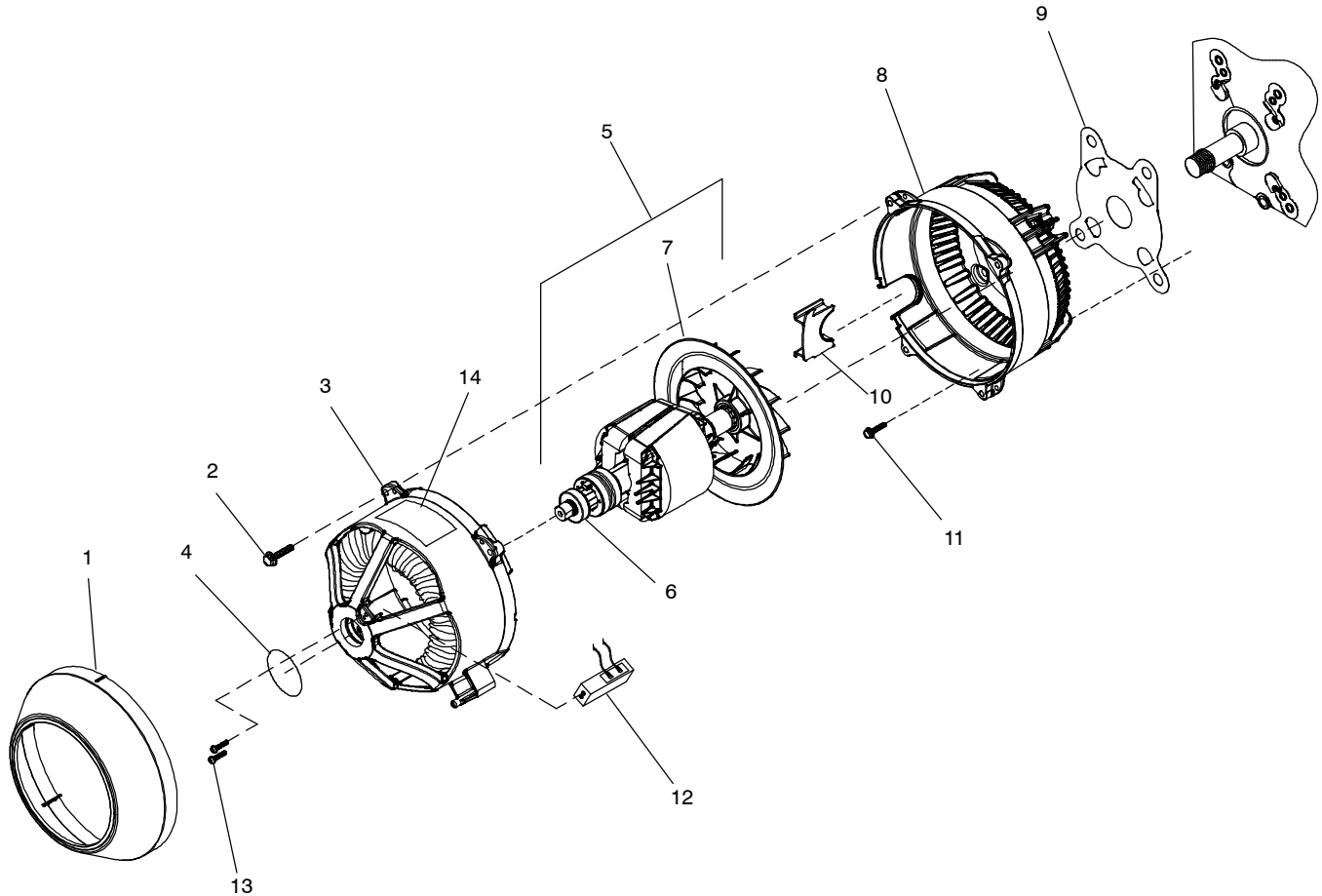
+When ordering a component originally displaying a precautionary label, the label should also be ordered.  
Labels available separately or as part of label kit.

◆Optional

\* Recommended Spare Parts.

**To maintain the factory original performance of your equipment, use only Manufacturer's Suggested Replacement Parts. Model and Serial Number required when ordering parts from your local distributor.**

# Eff w/ Serial No. MH330305R And Following



253 848-A

**Figure 1-2. Generator**

Item No.	Part No.	Description	Quantity
----------	----------	-------------	----------

**Figure 1-2. Generator (Figure 1-1 Item 27)**

...	1	249240	.. Cover, Generator	1
...	2	142156	.. Screw, 375-16x1.75 Hexwhd.81d Gr8 Pld	4
...	3	Stator .. +249327	.. Generator Assy, Front (Prior to MK351051R)	1
...	3	Stator .. +283606	.. Generator Assy, Front (Eff w/MK351051R)	1
...	3	Stator ... +250176	.. Generator Assy, Front (Excel Power) (Prior to MK351051R)	1
...	3	Stator .. +285323	.. Generator Assy, Front (Excel Power) (Eff w/MK351051R)	1
...	4	183419	... O-Ring 1.984 Id X .139 Cs 70 Duro Viton	1
...	5	Rotor ... 249258	.. Rotor, Generator (Includes)	1
...	6	181143	... Bearing, Ball Rdl Sgl Row .984 X 2.047 X .591	1
...	7	249259	... Fan, Rotor Gen	1
...	8	249222	.. Adapter, Engine (Prior to MK351051R)	1
...	8	281857	.. Adapter, Engine (Eff w/MK351051R)	1
...	9	250871	.. Baffle, Engine Adapter	1
...	10	249740	.. Grommet, Engine Adapter	1
...	11	250336	.. Screw, 437-14x1.50 Hexwhd.93d Gr8 Pld	4
...	12	205725	.. Brushholder Assy, Generator	1
...	13	136343	.. Screw, K50x 20 Pan Hd-Phl Stl Pld Pt Thread Forming	2
...	14	227724	.. Label, Warning Moving Parts Can Cause Serious Etc (Bilingual)	1

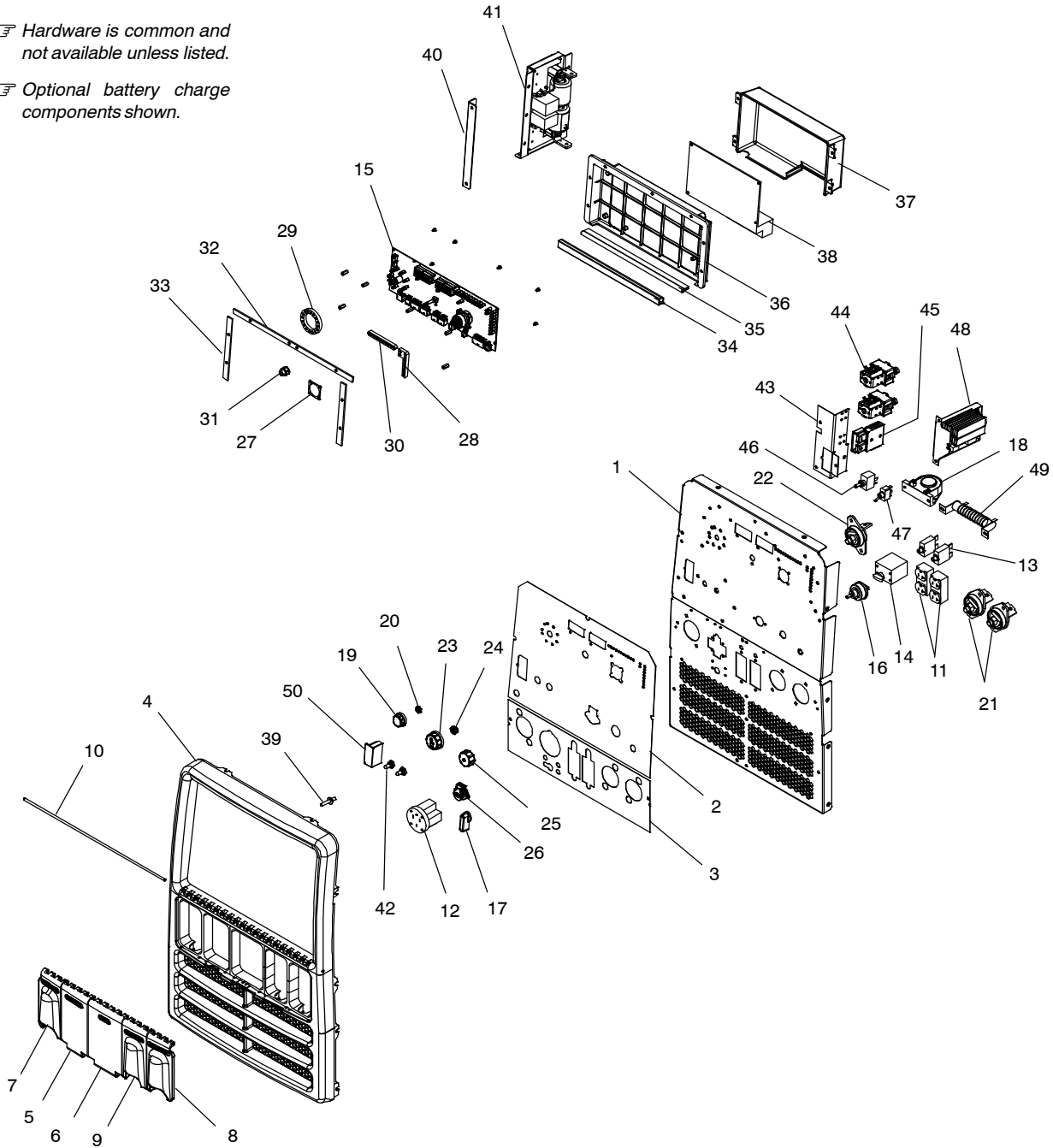
+When ordering a component originally displaying a precautionary label, the label should also be ordered.  
Labels available separately or as part of label kit.

**To maintain the factory original performance of your equipment, use only Manufacturer's Suggested Replacement Parts. Model and Serial Number required when ordering parts from your local distributor.**

# Eff w/ Serial No. MH330305R And Following

☞ Hardware is common and not available unless listed.

☞ Optional battery charge components shown.



907754

Figure 1-3. Panel, Front w/Components

# Eff w/ Serial No. MH330305R And Following

Item No.	Dia. Mkgs.	Part No.	Description	Quantity
<b>Figure 1-3. Panel, Front w/Components (Figure 1-1 Item 1)</b>				
...	1	276489	Panel, Front	1
...	1	◆275475	Panel, Front (Battery Charge Models)	1
...	2		Label, Nameplate (Order by Model and Serial No.)	1
...	3		Label, Nameplate Aux Panel (Order by Model and Serial No.)	1
...		250723	Bezel Assy	1
...	4	211416	Bezel	1
...	5	216773	Cover, Receptacle Duplex 120V	1
...	6	216774	Cover, Receptacle Full Kva 120/240V	1
...	7	257119	Cover, Output Stud Positive	1
...	8	257120	Cover, Output Stud Negative	1
...	9	257121	Cover, Output Stud Negative	1
...	10	211405	Pin, Hinge	1
...		280214	Spring, Wave (Stainless Steel)	1
...	11	254829	Receptacles, W/Leads & Capacitors (Includes)	1
...		259978	Rcpt, Str Dx w/Capacitors (Includes)	2
...	RC2-RC3	237722	Rcpt, Str Dx Grd 2p3w 20A 125V *5-20R	1
...	C5, C8	222074	Capacitor, Cer Disc .0047 uF 3000 VDC w/Terms	1
...	11	◆250751	Receptacles, W/Leads & Capacitors (Excel Power Models) (Includes)	1
...	RC2	237722	Rcpt, Str Dx Grd 2p3w 20A 125V *5-20R	1
...	RC3	262486	Rcpt, Str Dx Grd 2p3w 20A 125V *5-20R (Blue)	1
...	C5, C8	222074	Capacitor, Cer Disc .0047 uF 3000 VDC w/Terms	2
...	11	◆251314	Receptacles, W/Leads & Capacitors (GFCI Models) (Includes)	1
...		281339	Kit, Field GFCI Rcpt w/Cap (Includes)	2
...	RC2-RC3	280236	Receptacle, GFCI 15/20A	1
...	C5, C8	217054	Capacitor, Cer Disc .0047 uF 3000 VDC w/Terms	1
...	12	RC1	Rcpt, Str 3p4w 50a 125/250v Flush Mtg *14-50	1
...	13	CB2-CB3	Supplementary Pro, Man Reset 1p 20a 250vac Frict	2
...	14	CB1	Supplementary Protector, Man Reset 2p 50a 240vac	1
...	15	PC2	Kit, Service Control Board	1
...	15	PC2	◆280615 Kit, Service Control Board (ArcReach Models)	1
...	16	S2	217680 Switch, Ignition 4 Position W/Out Handle	1
...	17		207073 Lever, Ignition Switch	1
...	18		168829 Transducer, Current 1000a Module Max Open Loop	1
...	19		245663 Knob, Encoder 1.250 Dia X .250 Id Push On W/Spring	1
...	20		231468 Nut, 375-32 .56hex .22h Brs Conical Knurl	1
...	21		241433 Terminal, Pwr Output Black	2
...	22		241432 Terminal, Pwr Output Red	1
...	23		276230 Knob, Encod 1.67 D. X 6mm Id Push On W/Spring/Print	1
...	24		231469 Nut, 500-28 .69hex .28h Brs Conical Knurl	1
...	25		268085 Conn, Circ Ms Protective Cap Size 20 Nylon	1
...	26		276484 Harness, Front Panel Usb	1
...	27		277524 Gasket, 14 Pin Receptacle	1
...	28		278564 Foam, Led Fuel And Service	1
...	29		278559 Foam, Led Process Select	1
...	30		278563 Foam, Led Dig	1
...	31		278485 Assy, Encoder Nut W/O-Ring	1
...		249320	Control, Push/Pull Snap-In 28.937 W/1.750 Extension (Prior to NA170330R)	1
...	C3	222064	Capacitor, Polyp Met Film .1 Uf 500 Vdc 10% (Non-Arc Reach Models)	1
...	C4	222065	Capacitor Module, Polyp Met Film .1 Uf 500 Vdc 10% (Non-Arc Reach Models)	1
...	32		277517 Gasket, Control Board Cover Top	1
...	33		277518 Gasket, Control Board Cover	2
...	34		254954 Seal, Cover Control Board	1
...	35		277522 Seal, Enclosure Opening Bulb D 12.875	1
...	36		275812 Cover, Control Board	1
...		251228	Hose, Tank Vent 3/16 Id X 48.500 W/Clamps	1
...	37		254951 Cover, Regulator Board	1
...	38	PC1	273988 Circuit Card Assy, Power/Aux Regulator W/Program (Prior to NA071310R; NA100060R thru NA160068R)	1
...	38	PC1	287166 Circuit Card Assy, Power/Aux Regulator W/Program (Eff w/NA071310R thru NA100059R; NA160069R and following)	1



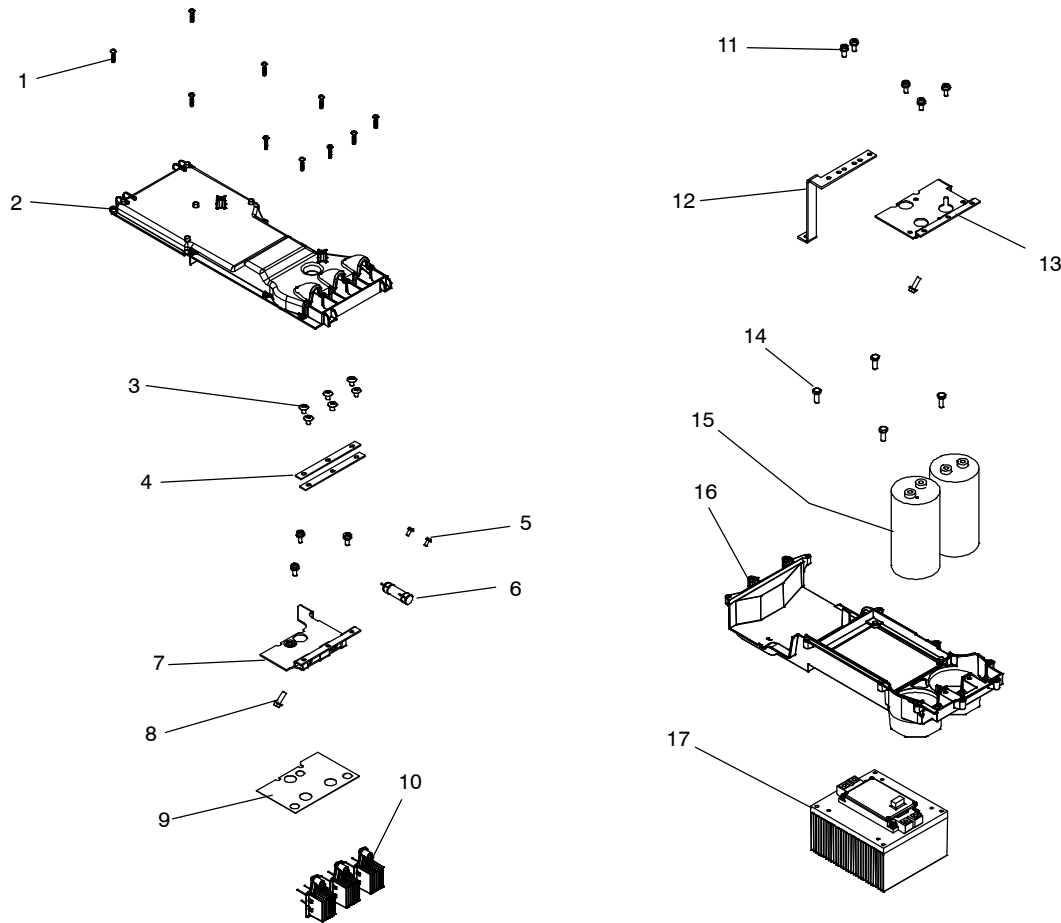
# Eff w/ Serial No. MH330305R And Following

Item No.	Dia. Mkgs.	Part No.	Description	Quantity
<b>Figure 1-3. Panel, Front w/Components (Continued)</b>				
... 39		197203	.. Grounding Stud Assy, Brass	1
... 40		◆277523	.. Bracket, Filter Board Mnt (ArcReach Models)	1
... 41	PC4	◆269559	.. Circuit Card Assy, Wcc Filter Network Potted (ArcReach Models)	1
<b>Optional Battery Charge Components</b>				
... 42		250690	.. Boot, Toggle Switch Lever (Black)	2
... 43		279420	.. Bracket, Battery Charge Recep/Contactors	1
... 44		252965	.. Contactor, Battery Charge	2
... 45		231162	.. Housing, Rcpt Battery Charger 175 Amp Black	1
... 46		028111	.. Switch, Tgl Dpst 20A 250V Spt Term	1
... 47		011609	.. Switch, Tgl Spdt 15a 125vac On–None–On Spd Term Chr	1
... 48		260170	.. Circuit Card Assy, Battery Charger Potted Board	1
... 49		263013	.. Resistor, Ww Fxd 120 W .1 Ohm W/Clips	1
... 50		231927	.. Dust Cover, 2 Pole Housing	1
... 51		280274	.. Bus Bar, Cop .750 X 3.500 X .125 Thk	1

◆ Optional

**To maintain the factory original performance of your equipment, use only Manufacturer's Suggested Replacement Parts. Model and Serial Number required when ordering parts from your local distributor.**

# Eff w/ Serial No. MH330305R And Following



Ref. 277468

**Figure 1-4. Assy, IGBT/Capacitor**

Item No.	Dia. Mkgs.	Part No.	Description	Quantity
----------	------------	----------	-------------	----------

**Figure 1-4. Assy, IGBT/Capacitor (Figure 1-1, Item 43)**

		277468	Assy, IGBT/Capacitor (Includes)	1
		◆277472	Assy, IGBT/Capacitor, Excel Power (Includes)	1
		◆277473	Assy, IGBT/Capacitor Excel Power (TB325 w/Battery Charging System)	1
1		136343	Screw, K50x 20 Pan Hd-phl Stl Pld Pt Thread Forming	10
2		247664	Enclosure, Top	1
2		◆247666	Enclosure, Top (Models w/ Excel Power)	1
2		◆263010	Enclosure, Top (Batt Chg Potted w/Excel Power)	1
3		262660	Screw, 250-20x .37 Truss Hd-phl Thdfmg Stl Pld	6
4		247657	Bar, Rectifier Clamp	2
5		136420	Screw, 008-32x .37 Hexwhd.34d Stl Pld Slffmg Tap-rw	2
6	R1	079497	Resistor, Ww Fxd 25 W 2k Ohm	1
7		250502	Plate, Bus Negative, Single Module	1
8		604224	Screw, 250-20x .75 Hexwhd.50d Stl Pld Slffmg Tap-rw	2
9		250531	Insulator, Bus Plate Single Module	1
10	SR1, 2, 3	267159	Rectifier	3
11		229331	Screw, M 6-1.0x 16 Pan Hd-phl Stl Pld Sems	8
12		247662	Bar, Output Bus	1
13		250500	Plate, Bus Positive, Single Module	1
14		192725	Screw, 250-20x .75 Hexwhd.61d Gr5 Pld	4
15	C1, C2	249841	Capacitor, Elctlt 13000 uF 150 VDC Can 3.00 Dia	2
16		247665	Enclosure, Bottom	1
17		277469	Assy, IGBT Module/Heatsink	1
	CB5	◆233040	Supplementary Protector, Man Reset 3p 15A 277VAC (Excel Power)	1
		◆255301	Bracket, Mtg Circuit Breaker	1

◆ Optional

**To maintain the factory original performance of your equipment, use only Manufacturer's Suggested Replacement Parts. Model and serial number required when ordering parts from your local distributor.**

# Eff w/ Serial No. MH330305R And Following

☞ Some wiring harness components (switches, relays, circuit breakers) are also referenced elsewhere in this parts list. Purchase components separately or as part of the associated wiring harness.

Item No.	Dia. Mkgs.	Part No.	Description	Quantity
<b>Wiring Harnesses</b>				
		277615	<b>Harness, Wrg Unit (Includes) (Prior to NA140009R)</b>	1
		286466	<b>Harness, Wrg Unit (Gas) (Includes) (Eff w/NA140009R)</b>	1
		147711	Splice, Closed End 22-10 Wire Insulated White	2
	CT1	277281	Xfmr, Current Sensing	1
	RC5	113634	Conn, Rect Univ 084 6p/S 3row Rcpt Cable/Panel Lkg	1
	RC32,RC34	115510	Conn, Rect Mini 045 6pin 2row Rcpt Cable/Panel Lkg	2
	RC33	257168	Conn, Rect Mini 045 4pin 2row Tpa Plug Housing	1
	PLG112	212116	Conn, Deutsch 2p 1row Female Plug (Eff w/NA140009R)	1
		212117	Conn, Deutsch Wedge Lock 2 Position (Eff w/NA140009R)	2
	PLG8	177859	Conn, Body 5 Terminal	1
	PLG23	240451	Conn, Rect Mini 045 12skt 2row Plug Cable Lkg/Lkg	1
	PLG28	240449	Conn, Rect Mini 045 8skt 2row Plug Cable Lkg/Lkg	1
	PLG21	135134	Conn, Rect Univ 084 9p/S 3row Plug Cable Lkg	1
	PLG31	114063	Conn, Rect Univ 084 4p/S 1row Plug Cable Lkg	1
	PLG29	240448	Conn, Rect Mini 045 6skt 2row Plug Cable Lkg/Lkg	1
	PLG33	240447	Conn, Rect Mini 045 4skt 2row Plug Cable Lkg/Lkg	1
	PLG4	116513	Conn, Rect Mini 045 12skt 2row Plug Cable Lkg	1
	PLG5	113752	Conn, Rect Mini 045 10skt 2row Plug Cable Lkg	1
	PLG10	113750	Conn, Rect Mini 045 4skt 2row Plug Cable Lkg	1
	PLG6	113751	Conn, Rect Mini 045 8skt 2row Plug Cable Lkg	1
	PLG9	117037	Conn, Rect Mini 045 2skt 2row Plug Cable Lkg	1
		287534	Cap, Deutsch 2 Way (Eff w/NA140009R)	5
		070589	Tubing, Gl Acryl .289- .311 Id # 2xspool Yel Fa1	.833
	CB4	083432	Supplementary Pro, Man Reset 1p 10A 240VAC Frict (Prior to MJ051251R)	1
	CB4	281313	Supplementary Pro, Man Reset 1p 10A 240VAC Frict-90 (Eff w/MJ051251R)	1
		283088	<b>Harness, Wrg Unit (Liquid LP) (Includes)</b>	1
	CR3-CR4	090104	Relay, Encl 12vdc Spst 30a/15vdc 5pin Flange Mtg	2
	CT1	277281	Xfmr, Current Sensing	1
	RC5	113634	Conn, Rect Univ 084 6p/S 3row Rcpt Cable/Panel Lkg	1
	RC32,RC34	115510	Conn, Rect Mini 045 6pin 2row Rcpt Cable/Panel Lkg	2
	RC33	257168	Conn, Rect Mini 045 4pin 2row Tpa Plug Housing	1
		282525	Conn, Lever 3 Wire 12-28 Gauge 600v 20a	2
		280875	Conn, Lever 5 Wire 12-28 Gauge 600v 20a	2
	PLG8	177859	Conn, Body 5 Terminal	1
	PLG23	240451	Conn, Rect Mini 045 12skt 2row Plug Cable Lkg/Lkg	1
	PLG28	240449	Conn, Rect Mini 045 8skt 2row Plug Cable Lkg/Lkg	1
	PLG21	135134	Conn, Rect Univ 084 9p/S 3row Plug Cable Lkg	1
	PLG31	114063	Conn, Rect Univ 084 4p/S 1row Plug Cable Lkg	1
	PLG29	240448	Conn, Rect Mini 045 6skt 2row Plug Cable Lkg/Lkg	1
	PLG33	240447	Conn, Rect Mini 045 4skt 2row Plug Cable Lkg/Lkg	1
	PLG4	116513	Conn, Rect Mini 045 12skt 2row Plug Cable Lkg	1
	PLG5	113752	Conn, Rect Mini 045 10skt 2row Plug Cable Lkg	1
	PLG10	113750	Conn, Rect Mini 045 4skt 2row Plug Cable Lkg	1
	PLG6	113751	Conn, Rect Mini 045 8skt 2row Plug Cable Lkg	1
	PLG9	117037	Conn, Rect Mini 045 2skt 2row Plug Cable Lkg	1
	CB4	281313	Supplementary Pro, Man Reset 1p 10a 250vac Frict-90	1
		148850	Socket, Relay 5 Pin	2
		277631	<b>Harness, Current Transducer (Includes)</b>	1
		214707	Cable, Shld No 18ga 3/C Pltc 300v 105c Pvc Jkt	1.833
	PLG7-PLG8	113750	Conn, Rect Mini 045 4skt 2row Plug Cable Lkg	2
		113746	Conn, Rect Mini 045 Skt 24-18ga .1220d Brass-Tin	8
		277617	<b>Harness, Gate Drive (Includes)</b>	1
	PLG1	214951	Conn, Rect Univ 039 6p/S 3row Plug Cable Lkg Seal	1
	PLG2	114426	Conn, Rect Mini 045 16skt 2row Plug Cable Lkg	1

# Eff w/ Serial No. MH330305R And Following

Item No.	Dia. Mkgs.	Part No.	Description	Quantity
<b>Wiring Harnesses, Continued</b>				
		286586	<b>Harness, Remote Start (Gas) (Includes)</b>	1
		286456	Lead Assy, Elect	1
		600679	Splice, Prl 8 Wire	1
		265455	Tubing, Htshnk Black .400 Dia X 2.000	1
		286457	Lead Assy, Elect	1
		600678	Splice, Prl 12-10 Wire	1
		284455	Tubing, Htshnk Black .375/ .187 Dia X 2.000	1
		286458	Lead Assy, Elect	1
		600678	Splice, Prl 12-10 Wire	1
		284455	Tubing, Htshnk Black .375/ .187 Dia X 2.000	1
		286459	Lead Assy, Twisted Pair	1
		286328	Lead Assy, Elect	1
		600678	Splice, Prl 12-10 Wire	1
		284455	Tubing, Htshnk Black .375/ .187 Dia X 2.000	1
		286329	Lead Assy, Elect	1
		600678	Splice, Prl 12-10 Wire	1
		284455	Tubing, Htshnk Black .375/ .187 Dia X 2.000	1
		286580	Bracket, Mtg Remote Harness	1
		285596	Bracket, Module Fuse/Relay	1
		285594	Module, Fuse/Relay Tpa	2
	PLG118	177859	Conn, Body 5 Terminal	1
	RC18	286535	Conn, Body 5 Terminal Rcpt	1
	PLG7	285708	Conn, Rect Mx120g 12pin 2row Rcpt	1
	CR3-CR4	281755	Relay, Encl 12vdc Spst 20a Skt Mtg	2
		250930	Alarm, Piezo Slow Pulse 4-16vdc 105/100 Db	1
	RC112	248670	Conn, Deutsch 2p 1row Rcpt	1
		248671	Conn, Deutsch Wedge Lock 2 Position	1
		237888	Seal, Conn Weather Pack Green	12
		285595	Module, Fuse/Relay Cpa	1
		285593	Module, Fuse/Relay Cover	1
		285592	Module, Fuse/Relay Holder	1
		253060	Seal, Cavity Plug Weather Pack Green	12
	CR5	283807	Relay, Encl 12vdc Nc/No 20a/14vdc Skt Mtg	1
		287538	Plug, Cavity	5

Item No.	Dia. Mkgs.	Part No.	Description	Quantity
----------	------------	----------	-------------	----------

## Additional Battery Charge Model Components

		227734	Label, Warning Battery Charging Precautions	1
		280106	Circuit Card Assy, Battery Chrg Clamp Potted Board	1
		277633	Harness, Wrg Unit (Includes)	1
	S7	011609	Switch, Tgl Spdt 15a 125vac On-None-On Spd Term Chr	1
	S6	028111	Switch, Tgl Dpst 20a 250v Spd Term	1
	PLG51	240451	Conn, Rect Mini 045 12skt 2row Plug Cable Lkg/Lkg	1
	PLG52	240447	Conn, Rect Mini 045 4skt 2row Plug Cable Lkg/Lkg	1
	PLG53	240449	Conn, Rect Mini 045 8skt 2row Plug Cable Lkg/Lkg	1
		240458	Pin, Lkg 2/4 Skt Housing	1
		240460	Pin, Lkg 8 Skt Housing	1
		240462	Pin, Lkg 12 Skt Housing	1
		605321	Nut, 468-32 .56hex .09h Brs Blk Use W/Switches	2
	PLG54	130693	Conn, Rect Mini 045 5skt 1row Plug Cable Lkg	1
	PLG27,PLG34	114655	Conn, Rect Mini 045 6skt 2row Plug Cable Lkg	2

+When ordering a component originally displaying a precautionary label, the label should also be ordered.

**To maintain the factory original performance of your equipment, use only Manufacturer's Suggested Replacement Parts. Model and serial number required when ordering parts from your local distributor.**

**Miller Electric Mfg. LLC**

An Illinois Tool Works Company  
1635 West Spencer Street  
Appleton, WI 54914 USA

**International Headquarters—USA**

USA Phone: 920-735-4505 Auto-Attended  
USA & Canada FAX: 920-735-4134  
International FAX: 920-735-4125

For International Locations Visit  
[www.MillerWelds.com](http://www.MillerWelds.com)

