



TM-217 454R

2014-11

Processes



Stick (SMAW) Welding



MIG (GMAW) Welding
Flux Cored (FCAW) Welding



TIG (GTAW) Welding

Description



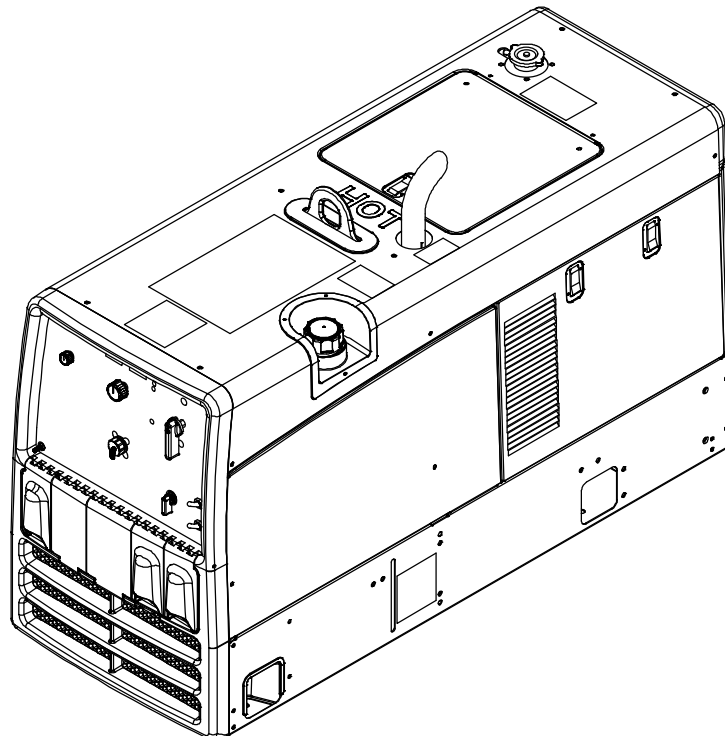
Engine Driven Welding Generator

Trailblazer[®] 302 Diesel

PARTS LIST

Eff w/LF314257 Thru MD300442R

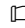
For OM-217 454 Revisions A Thru U

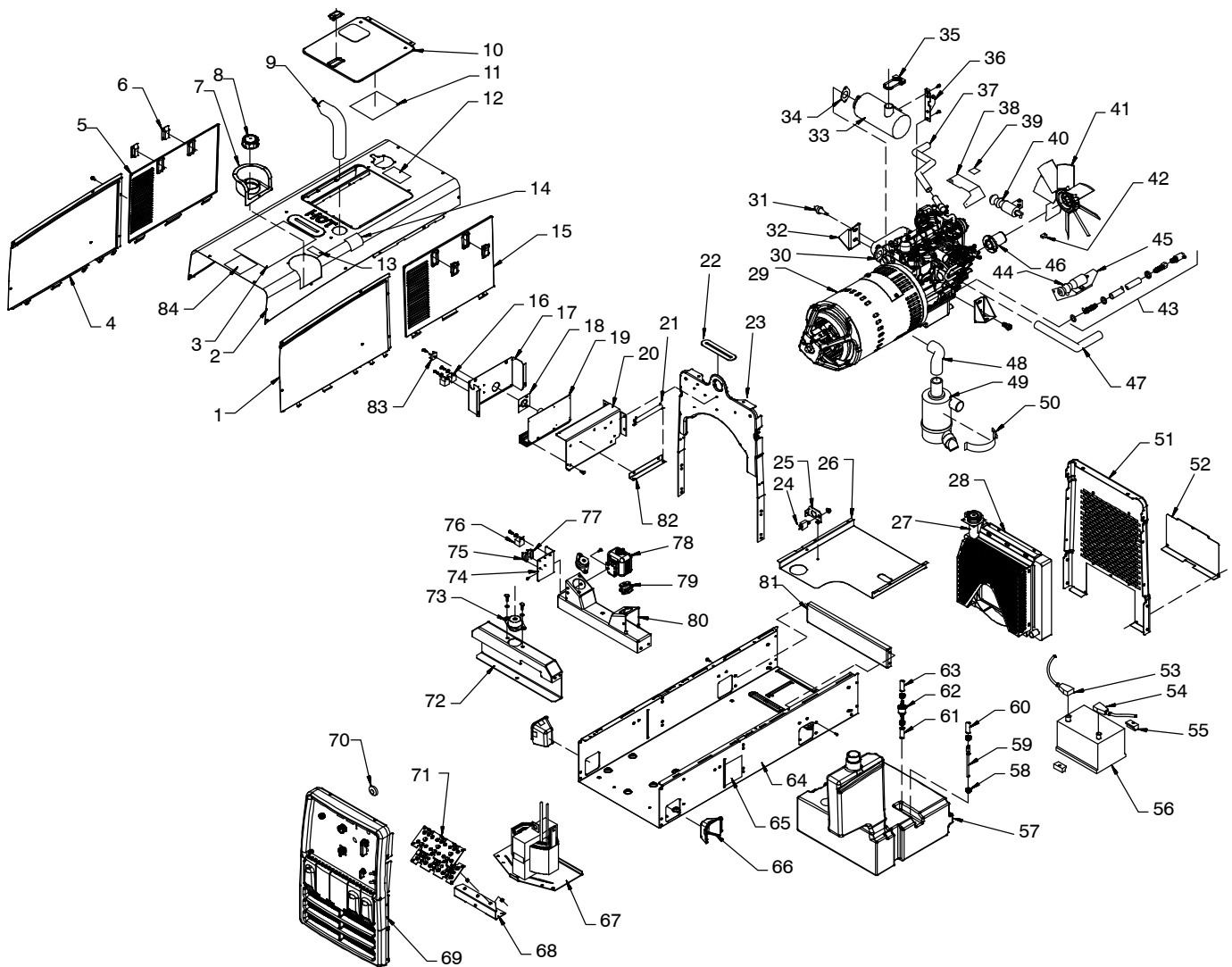


Visit our website at

www.MillerWelds.com

SECTION 14 – PARTS EFF W/LF314257 Thru MD30047R

 Hardware is common and not available unless listed.



804 201-G

Figure 14-1. Main Assembly

Eff w/LF314257 Thru MD300442R

Item No.	Dia. Mkgs.	Part No.	Description	Quantity
Figure 14-1. Main Assembly				
1		211366	Panel, Side RH	1
2		228434	Cover, Top Service Assy Trailblazer 302 Diesel (Includes)	1
		+230531	Cover Assy, Top Diesel	1
3		227726	Label, Warning General Precautionary Csa (Prior to LH170040Q)	1
3		233639	Label, Warning General Precautionary Csa (Eff w/LH170040Q)	1
4		211365	Panel, Side LH	1
		217395	Bumper, Rubber Press-in	11
5		221986	Door, Access Engine Side LH	1
		220371	Seal, Rubber W/Adhesive .370 X .750 X 14.500	2
6		211370	Latch, Door	5
7		211398	Grommet, Plastic Neck Filler Fuel	1
8		220711	Cap, Tank Screw-on W/Vent	1
9		225759	Pipe, Exhaust Elbow Stainless	1
10		211369	Door Assy, Access Engine Top	1
		225747	Strip, Rbr Adh Back .062 X 4.000 X 4.500 60 Duro	1
11		227727	Label, Engine Maintenance Kubota D722	1
12		227730	Label, Warning Steam And Hot Coolant Can Burn	1
13		227728	Label, Use Diesel Fuel Only	1
14		227729	Label, Caution Exhaust Direction	1
15		213810	Door, Access Engine Side RH	1
16	CR1	173069	Relay, Encl 12vdc Spdt 30a/20a 5pin Flange Mtg	1
	CR2	173069	Relay, Encl 12vdc Spdt 30a/20a 5pin Flange Mtg (Prior To MA020474M)	1
	CR2	197325	Relay, Encl 12vdc Spst 70a 4pin Flange Mtg (Eff W/ MA020474M)	1
17		227004	Cover, PC Board Bkt (Prior to LH150184Q)	1
17		232077	Cover, Pc Board Bracket (Eff w/LH150184Q)	1
18		215800	Gasket, Capacitor Support (Prior to LH150184Q)	1
18		232078	Gasket, Capacitor Support (Eff w/LH150184Q)	1
19	PC1	223912	Circuit Card Assy, Power (Prior to LH150184Q)	1
		215798	Bracket, Capacitor Support (Prior to LH150184Q)	1
	C39	210639	Capacitor, Elctlt 1500 Uf 75 Vdc Can 1.40 Dia (Prior to LH150184Q)	1
	C41	217632	Capacitor, Elctlt 1200 Uf 300 Vdc Can 2.00 Dia (Prior to LH150184Q)	1
19	PC1	225329	Circuit Card Assy, Power (Eff w/LH150184Q)	1
		224166	Stand-off Support, Pc Card .312/.375w/Post&lock .43 (Eff w/LH150184Q)	5
20		215797	Bracket, Mtg Pc Board (Prior to LH150184Q)	1
20		232075	Bracket, Mtg Pc Board (Eff w/LH150184Q)	1
21	R1	188067	Resistor, Ww Fxd 100 W 200 Ohm W/Clips	1
22		205734	Seal, Weather Lift Eye	1
23		211360	Upright, Base	1
24	CB4	083432	Supplementary Pro, Man Reset 1p 10a 250vac Frict	1
25		224691	Bracket, Mtg Connector (Prior to MA020474M)	1
26		224648	Cover, Tank Fuel	1
27		223559	Hose, Radiator Upper Fill	1
28		216588	Radiator Assy, 2 Row Core W/14# Cap	1
			Shroud & Guard (Prior to LK290071M)	1
		187120	Cap, Radiator Pressure 14lb (Prior to LK290071M)	0
28		245034	Assy, Radiator/Shroud (Eff w/LK290071M)	1
		245043	Filler Neck, Radiator Assy W/14# Cap (Eff w/LK290071M)	1
		240338	Guard, Fan (Eff w/LK290071M)	1
		229079	Label, Warning Pinch Points And Moving Parts	1
29		Figure 14-3	Generator Assembly	1
30		225096	Engine, Kubota Dsl Elec D722eb-25 W/Components (includes)	1
31		208754	Switch, Pressure Oil 7psi Nc Cont Frict Term	1
32		206550	Bracket, Mtg Engine	2
33		223787	Muffler, Exhaust Engine	1
34		189766	Muffler Gasket	2
35		209057	Clamp, Muffler 1.625 Dia U Pld	1
36		224856	Bracket, Mtg Fuel Filter	1
37		233564	Hose, Radiator Upper	1
38		225248	Guard, Belt Fan	1
39		187890	Label, Warning Moving Parts (Wordless)	3
40	FS1	208106	Solenoid, Fuel	1
41		239897	Fan, Engine Cooling 13.000 6 Blade Pusher	1
42		198018	Linkage, Throttle Solenoid (Prior to MA290044M)	1

Eff w/LF314257 Thru MD300442R

Item No.	Dia. Mkgs.	Part No.	Description	Quantity
Figure 14-1. Main Assembly (Continued)				
43		199507	Hose Assy, Oil Drain 20.000 Lg (includes)	1
		165271	Valve, Oil Drain 3/8-18 Nptf	1
		113854	Hose, Sae .500 Id X .780 Od Xcoil	1.66ft.
		176529	Ftg, Hose Brs Barbed Fem 1/2 Tbg X 3/8 Npt	1
44	TS1	208454	Solenoid, Throttle (Prior to MA290044M)	1
45		226743	Bracket, Mounting Throttle Solenoid (Prior to MA290044M)	1
		248995	Kit, Throttle Solenoid W/Bracket (Includes) (Eff w/MA290044M)	1
44	TS1	247617	Solenoid, Throttle (Eff w/MA290044M)	1
45		245661	Bracket, Mounting Throttle Solenoid (Eff w/MA290044M)	1
46		221833	Spacer, Fan	1
47		223532	Hose, Radiator Lower	1
		187432	Bracket, Mtg Air Cleaner	1
48		187434	Hose, Air Cleaner	1
49		187431	Air Cleaner, Intake Dry Straight Outlet Type	1
50		187640	Clamp, Air Cleaner W/Latch	1
		227731	Label, Caution Do Not Use Ether (Bilingual)	1
		*206421	Tune-up & Filter Kit (includes)	0
		*187441	Element, Air Cleaner	0
		*187442	Element, Fuel Filter	0
		*187443	Oil Filter,	0
		*213858	Filter, Fuel In-line 5/16x5/16 Mic 125 -175	0
51		212975	Panel, Rear (Prior to LK290071M)	1
51		244868	Panel, Rear (Eff w/LK290071M)	1
		220753	Label, Weld Output & Generator Power Output	1
52		216595	Cover, Battery	1
		227913	Label, Warning Battery Explosion Can Blind	1
53		246260	Cable, Battery Positive 32" 4 Awg .312 Ring	1
54		246259	Cable, Battery Negative 20" 4 Awg .375 Ring	1
		114923	Boot, Insulator Term Post Red 1	1
55		182935	Hold Down, Battery	2
56		255574	Battery, Stor 12v Gp 58 Maint Free	1
57		238203	Tank, Fuel 12.0 Gal W/Sender (Includes)	1
		238061	Sender, Fuel Gauge (Includes)	1
		228054	Gasket, Fuel Sender/Fuel Tank	1
58		124253	Bushing	1
59		223777	Ftg, Stand Pipe .187 X 6.125 Lg	1
60		238600	Assy, Fuel Line W/Clamps (.410 Od X 19.000lg)	1
		229130	Ftg, Stand Pipe 370 X 6..910 Lg	1
61		171803	Hose, Sae .312 Id X .560 Od X 17.000 Carb Approved	1
62		213858	Filter, Fuel In-line 5/16x5/16 Mic 125 -175	1
63		226071	Hose, Sae .312 Id X .560 Od X 13.500	1
		226765	Hose, Sae .312 Id X .560 Od X 5.000 Carb Approved	1
		230014	Hose, Sae .312 Id X .560 Od X 10.000 Carb Approved	1
64		212746	Pan, Base	1
65		227912	Label, Warning Do Not Weld On Base/Fuel Level	2
66		211355	Cover, Base	2
67	DC-Z	212699	Stabilizer Assy, (Includes)	1
		214824	Plate, Mtg Stabilizer	1
68		222071	Bracket, Mtg Rectifier (Prior to LG076391)	1
68		228087	Bracket, Mtg Rectifier (Eff w/LG076391)	1
69		Figure 14-2	Panel, Front w/Components	1
70	CT1	224247	Xfmr, Current	1
71	SR1	223178	Rectifier, Si 3ph 300 Amp 400 Piv 100% Duty Cycle (Prior to LG076391)	1
71	SR1	225516	Rectifier, Si 3ph 300 Amp 400 Piv 100% Duty Cycle (Eff w/LG076391)	1
72		212747	Bracket, Mtg Generator	1
73		187551	Mount, Generator	1
74		223563	Bracket, Mounting Components	1
75	CB7	190374	Circuit Breaker, Auto Reset 12vdc 40 Amp	1
76	CR3	197325	Relay, Encl 12vdc Spst 70a 4pin Flange Mtg	1
77	CB8	226372	Supplementary Protector, Auto Reset 12vdc 20 Amp (Prior to LH010131)	1
77	CB8	231436	Supplementary Protector, Auto Reset 12vdc 15 Amp (Eff w/LH010131)	1
78		224368	Bottle, Coolant Overflow & Bracket	1
		229080	Label, Coolant Level (Bilingual)	1

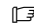
Eff w/LF314257 Thru MD300442R

Item No.	Dia. Mkgs.	Part No.	Description	Quantity
Figure 14-1. Main Assembly (Continued)				
.....		225447 ..	Hose, Sae .312 Id X .560 Od X 32.000	1
... 79		187550 ..	Mount, Engine	2
... 80		212625 ..	Bracket, Mtg Engine	1
... 81		225374 ..	Support, Base Cross	1
... 82		230047 ..	Bracket, Resistor	1
... 83	SR2	035704 ..	Rectifier, Integ Bridge 40. Amp 800v (Eff w/LG095181)	1
... 84		233088 ..	Label, Danger Using A Generator Indoors Can Kill You In Minutes (Unit) (Eff w/LH170040Q)	1
.....		225842 ..	Filler, Front (Prior to LF353359)	1
.....		226046 ..	Gusset, Base(Prior to LF353359)	2

***Recommended Spare Parts.**

- + When ordering a component originally displaying a precautionary label, the label should also be ordered. Order label individually or as part of Label Kit 219947.

To maintain the factory original performance of your equipment, use only Manufacturer's Suggested Replacement Parts. Model and serial number required when ordering parts from your local distributor.

 Hardware is common and not available unless listed.

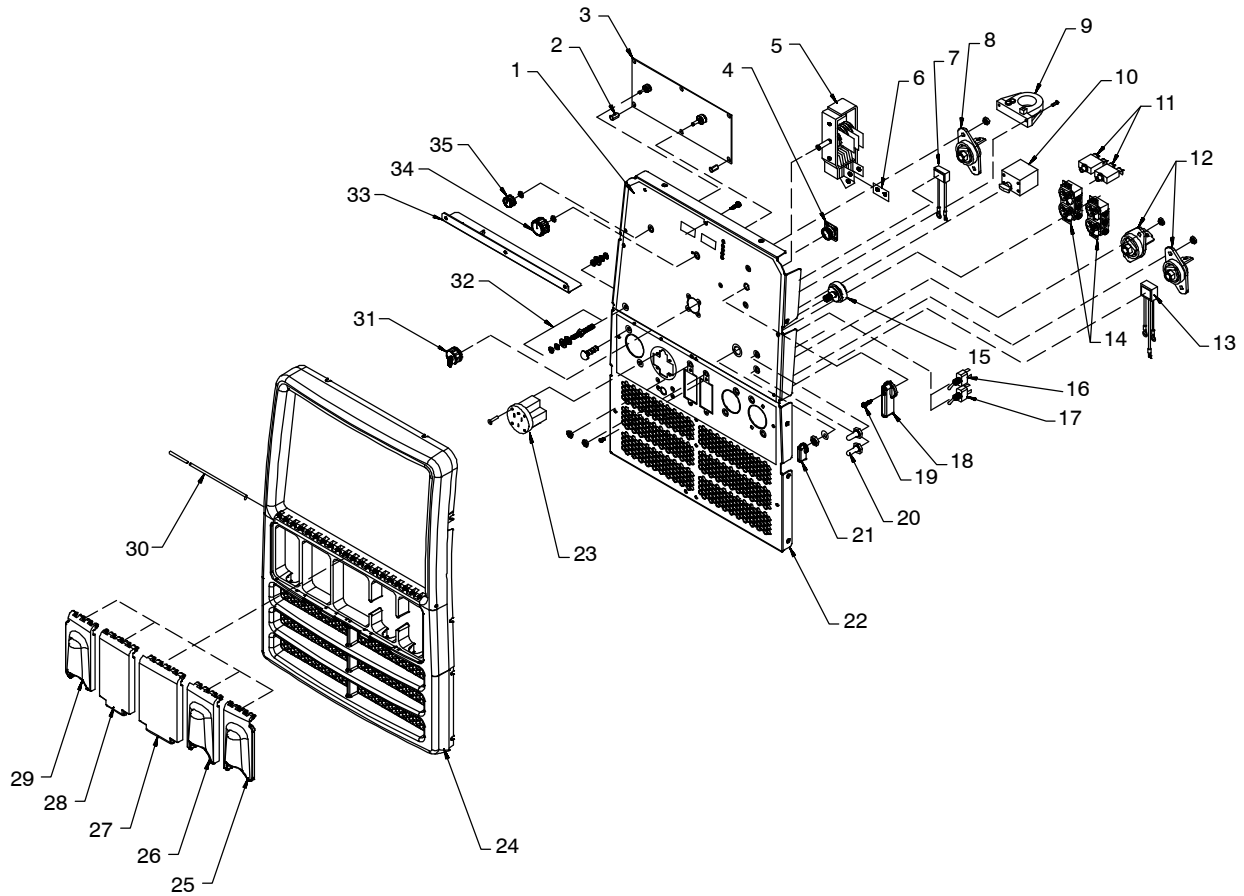


Figure 14-2. Panel, Front w/Components

804 202-A

Eff w/LF314257 Thru MD300442R

Item No.	Dia. Mkgs.	Part No.	Description	Quantity
Figure 14-2. Panel, Front w/Components (Figure 14-1 Item 69)				
...	1		Nameplate (Order By Model & Serial Number)	1
...	2	190512	Stand-off, No 6-32 X .640 Lg .250 Hex Al Fem	2
...	3	PC2 223904	Circuit Card Assy, Control (includes) (Prior to LJ440051Q)	1
...	3	PC2 240602	Circuit Card Assy, Control (includes) (Eff w/LJ440051Q)	1
...		221479	Shield, PCB Protective Anti Static 4.813x12.750	1
...	3	PC2 248270	Circuit Card Assy, Control W/Shield-Export Only Eff w/LK020212Q	1
...	4	RC4 134735	Conn, Circ Ms/Cpc 14skt Size 20 Rcpt Panel Pushin	1
...	5	S1 224230	Switch, Changeover	1
...	6	086075	Bus Bar	1
...	7	C49 222064	Capacitor, Polye Met Film .1 Uf 500 Vdc 10%	1
...	8	WORK 039046	Terminal, Pwr Output Black	1
...	9	LEM 168829	Transducer, Current 1000a Module Max Open Loop	1
...	10	CB1 233039	Supplementary Protector, Man Reset 2p 50a 240vac	1
...	11	CB2, CB3 093996	Supplementary Pro, Man Reset 1p 20a 250vac Frict	2
...	12	CC, CV 039046	Terminal, Pwr Output Black	2
...	13	C48 222065	Capacitor Module, Polye Met Film .1 Uf 500 Vdc 10%	1
...	14	RC2, RC3 222093	Receptacle, Str Dx Gnd Gfci W/capacitor	2
...	14	RC2, RC3 ♦ 222091	Rcpt, Str Dx W/capacitor	2
...		C45, C46 222074	Capacitor, Cer Disc .0047 Uf 3000 Vdc W/Terms	2
...	15	S2 217680	Switch, Ignition 4 Position W/Out Handle	1
...	16	S7 011609	Switch, Tgl Spdt 15a 125vac On-none-on Spd Term Chr	1
...	17	S6 021467	Switch, Tgl Spst 3a 250v Off-none-(On) Spd Term	1
...	18	218606	Handle, Switch Range	1
...	19	220804	Screw, 010-32x .50 Btn Hd-soc Stl Pld Patch	1
...	20	252039	Boot, Half Toggle Switch Lever (Black)	2
...	21	207073	Lever, Ignition Switch	1
...	22	212977	Panel, Front	1
...	23	RC1 182954	Rcpt, Str 3p4w 50a 125/250v Flush Mtg *14-50	1
...		215987	Bezel Assy (Includes)	1
...	24	211416	Bezel,	1
...	25	216775	Cover, Output Stud Wire	1
...	26	213914	Cover, Output Stud Stick/Tig	1
...	27	216773	Cover, Receptacle Duplex 120v	1
...	28	216774	Cover, Receptacle Full Kva 120/240v	1
...	29	216772	Cover, Output Stud Work	1
...	30	211405	Pin, Hinge	1
...	31	170391	Conn, Circ Ms Protective Cap Size 20 Nylon	1
...	32	197203	Grounding Stud Assy, Brass (includes)	1
...		083030	Stud, Brs .250-20 X 1.750 W/Hex Collar	1
...		010915	Washer, Flat .257idx0.640odx.031t Brs	1
...		602208	Washer, Tooth .256idx0.510odx.028t Stl Pld Ext.250 A	1
...		163167	Washer, Lock .254idx0.489odx.062t Sst Split.250	1
...		601836	Nut, 250-20 .50hex .19h Brs	2
...	33	223197	Baffle, Stab	1
...	34	218764	Knob, Pointer 1.625 Dia.	1
...	35	207080	Knob, Pointer 1.125 Dia.	1

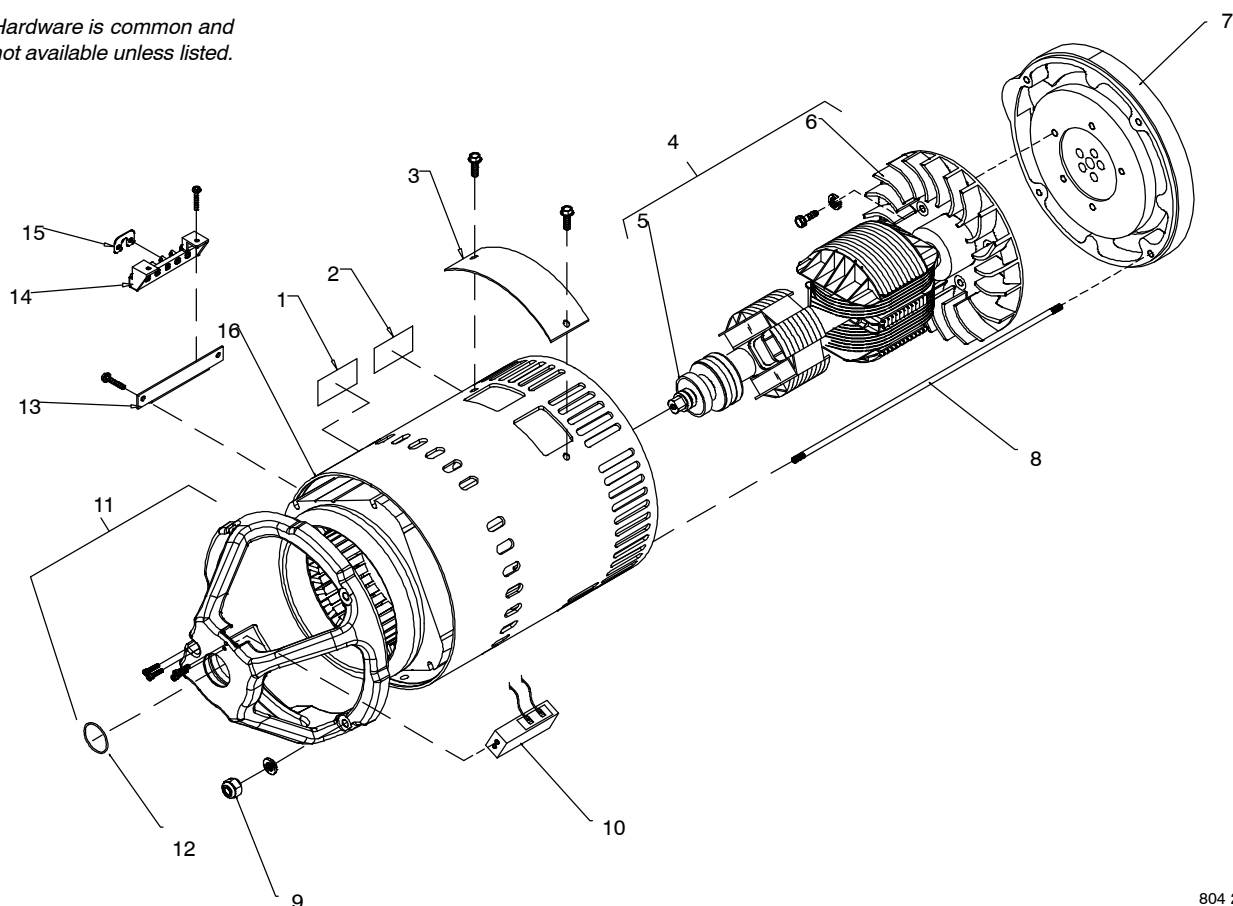
♦ Optional

To maintain the factory original performance of your equipment, use only Manufacturer's Suggested Replacement Parts. Model and serial number required when ordering parts from your local distributor.

Eff w/LF314257 Thru MD300442R

Item No.	Part No.	Description	Quantity
Figure 14-3. Generator (Figure 14-1 Item 29)			
... 1	227724	Label, Warning Moving Parts Can Cause Serious Etc	1
... 2	227732	Label, Warning Electric Shock Hazard	1
... 3	223998	Cover, Air Bypass	1
... 4	204274	Rotor, Generator (includes)	1
... 5	181143	Bearing, Ball Rdl Sgl Row .984 X 2.047 X .591	1
... 6	187493	Fan, Rotor Gen	1
... 7	186365	Adapter, Engine	1
...	142156	Screw, 375-16x1.75 Hexwhd.81d Gr8 Pld	4
... 8	170861	Stud, Stl .375-16 X 17.375	4
... 9	010909	Nut, 375-16 .56hex .46h Stl Pld Elastic Stop Nut	4
...	010910	Washer, Flat .406idx0.812odx.065t Stl Pld Ansi.375	4
... 10	205725	Brushholder Assy, Generator	2
...	136343	Screw, K50x 20 Pan Hd-phl Stl Pld Pt Thread Forming	4
... 11	217046	Endbell (includes) (Prior to MA020272M)	1
... 12	216532	Tolerance Ring,	1
... 11	228244	Endbell (includes) (Eff w/MA020272M)	1
... 12	183419	O-ring, 1.984 Id X .139 Cs 70 Duro Viton	1
... 13	214017	Bracket, Terminal Strip	1
... 14	172661	Block, Stud Connection 6 Position	1
... 15	173734	Link, Jumper	2
... 16	+212720	Stator, Generator	1

☞ Hardware is common and not available unless listed.




804 203-B

Figure 14-3. Generator

+ When ordering a component originally displaying a precautionary label, the label should also be ordered. Order label individually or as part of Label Kit 219947.

To maintain the factory original performance of your equipment, use only Manufacturer's Suggested Replacement Parts. Model and serial number required when ordering parts from your local distributor.

Eff w/LF314257 Thru MD300442R

 Some wiring harness components (switches, relays, circuit breakers) are also referenced elsewhere in this parts list. Purchase components separately or as part of the associated wiring harness.

Item No.	Dia. Mkgs.	Part No.	Description	Quantity
Wiring Harnesses				
		223562	Harness, Wrg Engine (includes) (Prior to MA020474M)	1
		247642	Harness, Wrg Engine (includes) (Eff w/MA020474M)	1
	CR3	197325	Relay, Encl 12vdc Spst 70a 4pin Flange Mtg	1
	CB7	190374	Circuit Breaker, Auto Reset 12vdc 40 Amp	1
	CB8	226372	Supplementary Protector, Auto Reset 12vdc 20 Amp (Prior to LH010131)	1
	CB8	231436	Supplementary Protector, Auto Reset 12vdc 15 Amp (Eff w/LH010131)	1
	PLG36, 39	130204	Service Kit, Conn, Rect Univ 084 3p/S 1row Plug Cable Lkg	2
		192167	Seal, Wire Univ 3p/S 1row	2
	PLG5	168071	Service Kit, Conn, Rect Univ 084 9p/S 3row Plug Cable Lkg (Prior to MA020474M)	1
	PLG5	166680	Service Kit, Conn, Rect Univ 084 12p/S 3row Plug Cable Lkg (Eff w/MA020474M)	1
		187651	Seal, Wire Univ 9p/S 3row (Prior to MA020474M)	1
		187654	Seal, Wire Univ 12p/S 3row (Eff w/MA020474M)	1
	PLG38	226721	Service Kit, Conn, Rect 250 2skt 2row Plug Cable Lkg	1
	CB4	083432	Supplementary Pro,Man Reset 1p 10a 250vac Frict (Eff w/MA020474M)	1
		224070	Harness, Remote Control 14Pin (includes)	1
	RC 4	143976	Conn, Circ Ms/Cpc 14skt Size 20 Rcpt Panel Pushin (Service Kit)	1
	PLG 14	224085	Conn, Rect Mini 045 8skt 2row Plug Cable Lkg+Skts (Service Kit)	1
		227089	Harness, Wrg Unit (includes) (Prior to MA020474M)	1
	PLG 27	202592	Service Kit, Conn, Rect Univ 084 2p/S 1row Plug Cable Lkg	1
	PLG 25, 31	136810	Service Kit, Conn, Rect Univ 084 4p/S 1row Plug Cable Lkg	1
	PLG 26	135556	Service Kit, Conn, Rect Univ 084 6p/S 3row Plug Cable Lkg	1
	PLG17, PLG23	224089	Conn, Rect Univ 039 2p/S 1row Plug Cable & Sec Lkg+Skts (Service Kit)	2
	PLG 21	224086	Conn, Rect Univ 039 10p/S 2row Plug Cable & Sec Lkg+Skts (Service Kit)	1
	PLG 16	224087	Conn, Rect Univ 039 12p/S 2row Plug Cable & Sec Lkg+Skts (Service Kit)	1
	PLG22	224090	Conn, Rect Univ 039 3p/S 1row Plug Cable & Sec Lkg+Skts (Service Kit)	1
	CR1, CR2	173069	Relay, Encl 12vdc Spdt 30a/20a 5pin Flange Mtg	2
	SR2	035704	Rectifier, Integ Bridge 40. Amp 800v (Eff w/LG095181)	1
	RC5	168071	Service Kit, Conn, Rect Univ 084 9p/S 3row Rcpt Cable/Panel Lkg	1
	S6	021467	Switch, Tgl Spst 3a 250v Off-none-(On) Spd Term	1
	S7	011609	Switch, Tgl Spdt 15a 125vac On-none-on Spd Term Chr	1
	PLG24	224088	Service Kit, Conn, Rect Univ 039 14p/S 2row Plug Cable & Sec Lkg	1
	PLG15	224086	Service Kit, Conn, Rect Univ 039 10p/S 2row Plug Cable & Sec Lkg	1
		202660	Conn, Push 4 Wire 12-16strnd 12-18sld 16-22tinstrnd	1
	PLG8	226720	Service Kit, Conn, Body 5 Terminal	1
		187651	Seal, Wire Univ 9p/S 3row	1
		247616	Harness, Wrg Unit (includes) (Eff w/MA020474M)	1
	PLG27	202592	Service Kit, Conn, Rect Univ 084 2p/S 1row Plug Cable Lkg	1
	PLG25, PLG31	136810	Service Kit, Conn, Rect Univ 084 4p/S 1row Plug Cable Lkg	2
	PLG26	135556	Service Kit, Conn, Rect Univ 084 6p/S 3row Plug Cable Lkg	1
	PLG22	224090	Service Kit, Conn, Rect Univ 039 3p/S 1row Plug Cable & Sec Lkg	1
	CR1	173069	Relay, Encl 12vdc Spdt 30a/20a 5pin Flange Mtg	1
	RC5	166679	Service Kit, Conn, Rect Univ 084 12p/S 3row Rcpt Cable/Panel Lkg	1
	S6	021467	Switch, Tgl Spst 3a 250v Off-none-(On) Spd Term	1
	S7	011609	Switch, Tgl Spdt 15a 125vac On-none-on Spd Term Chr	1
	PLG24	224088	Service Kit, Conn, Rect Univ 039 14p/S 2row Plug Cable & Sec Lkg	1
	PLG15, PLG21	224086	Service Kit, Conn, Rect Univ 039 10p/S 2row Plug Cable & Sec Lkg	2
		202660	Conn, Push 4 Wire 12-16strnd 12-18sld 16-22tinstrnd	1
	PLG8	226720	Service Kit, Conn, Body 5 Terminal	1
	SR2	035704	Rectifier, Integ Bridge 40. Amp 800v	1
		187654	Seal, Wire Univ 12p/S 3row	1
	CT1	224247	Xfmr, Current	1

Eff w/LF314257 Thru MD300442R

Item No.	Dia. Mkgs.	Part No.	Description	Quantity
Wiring Harnesses				
.....	PLG17,PLG23	224089	.. Service Kit, Conn, Rect Univ 039 2p/S 1row Plug Cable & Sec Lkg 2
.....	PLG16	224087	.. Service Kit, Conn, Rect Univ 039 12p/S 2row Plug Cable & Sec Lkg	... 1
.....	CR2	197325	.. Relay, Encl 12vdc Spst 70a 4pin Flange Mtg 1
.....		224209	.. Plugs, w/Leads (includes) 1
.....	PLG 6	115094	.. Service Kit, Conn, Rect Mini 045 4skt 2row Plug Cable Lkg 1
.....	PLG13	224092	.. Service Kit, Conn, Rect Univ 039 4p/S 2row Plug Cable & Sec Lkg	... 1

Miller Electric Mfg. Co.

An Illinois Tool Works Company
1635 West Spencer Street
Appleton, WI 54914 USA

International Headquarters—USA

USA Phone: 920-735-4505 Auto-Attended
USA & Canada FAX: 920-735-4134
International FAX: 920-735-4125

For International Locations Visit
www.MillerWelds.com

